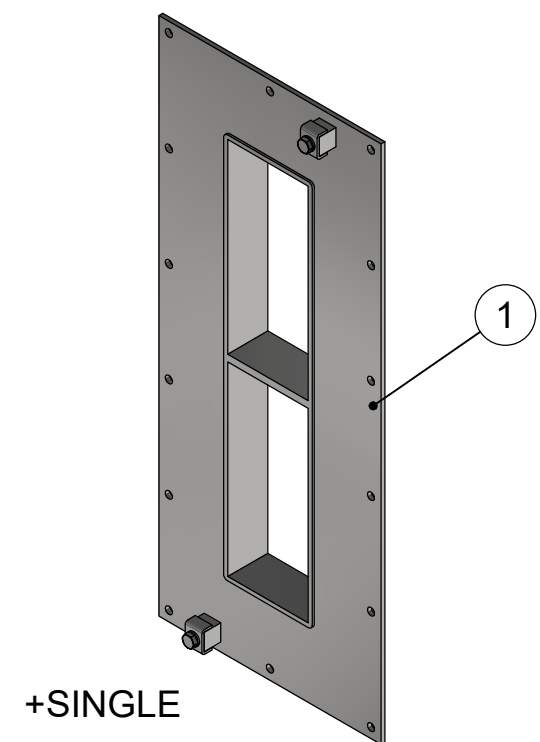
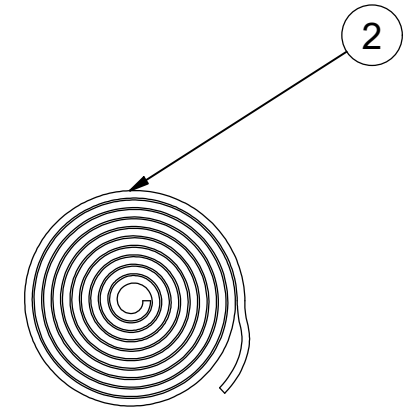


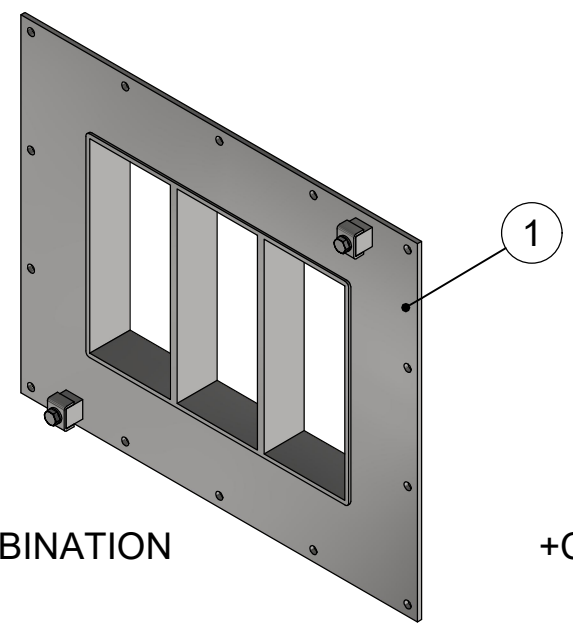
SINGLE



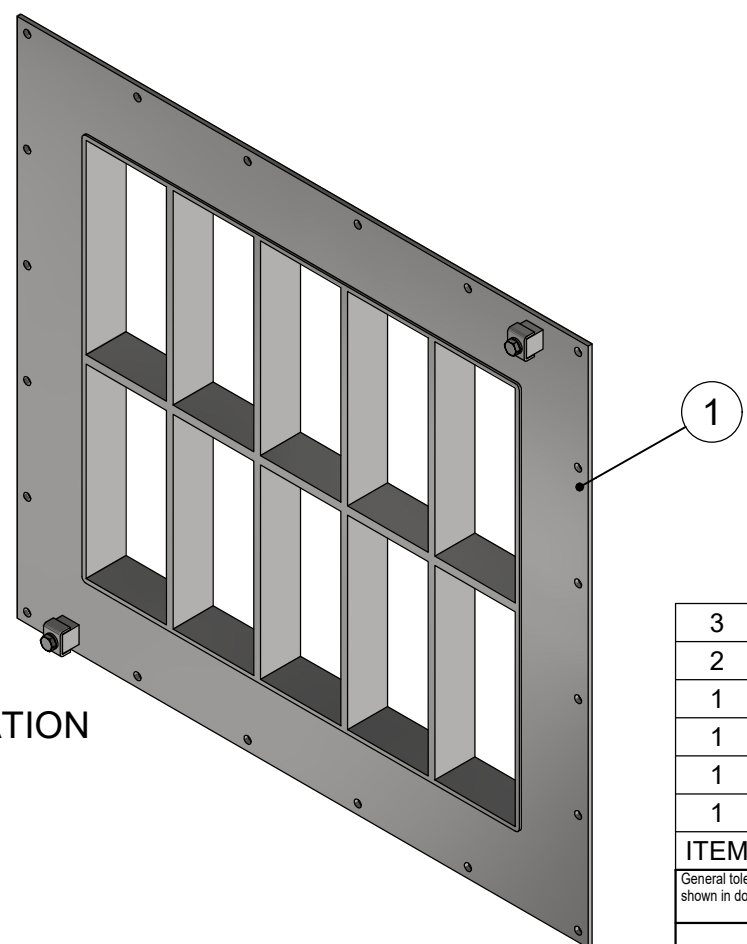
+SINGLE



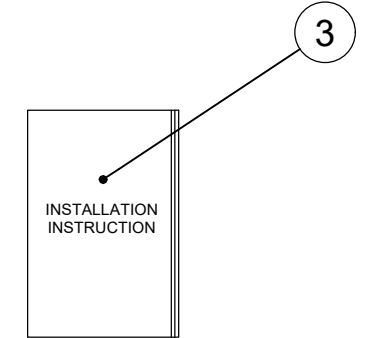
2



COMBINATION


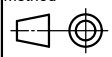


+COMBINATION



3

ITEM	QTY	Designation	Specification	Weight
3	1	INSTALLATION INSTRUCTION		
2	1	TSL 8X8 BUTYL	S1501708	
1	1	+COMBINATION FRAME	S1035565	
1	1	COMBINATION FRAME	S1035566	
1	1	+SINGLE FRAME	S1039309	
1	1	SINGLE FRAME	S1035566	

General tolerances used for manufacturing shown in document DOC-002180		Designed by/date se-marfre 2024-08-26	Latest save date 2024-09-26	Format A3	Scale	Sheet no 1 / 1	TotWeight
 www.roxtec.com		Title GH BG FL100 FRAME KIT			Projection method 		Rev B
		Restricted due to Information drawing		Drawing number S1608326			

B	SHEET HEAD UPDATED	2024-09-25	se-marfre
Rev	Type of revision	Date	Sign