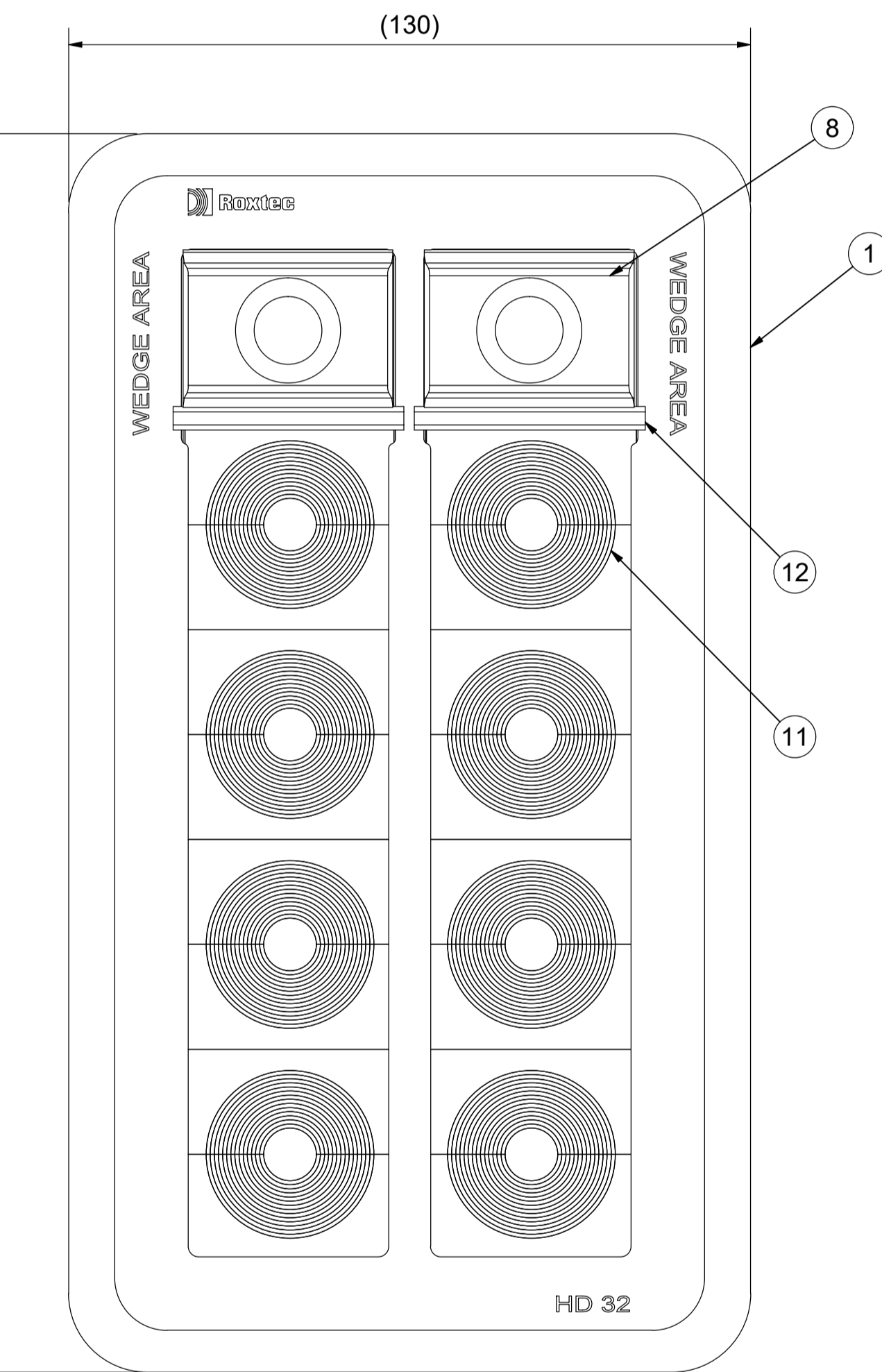
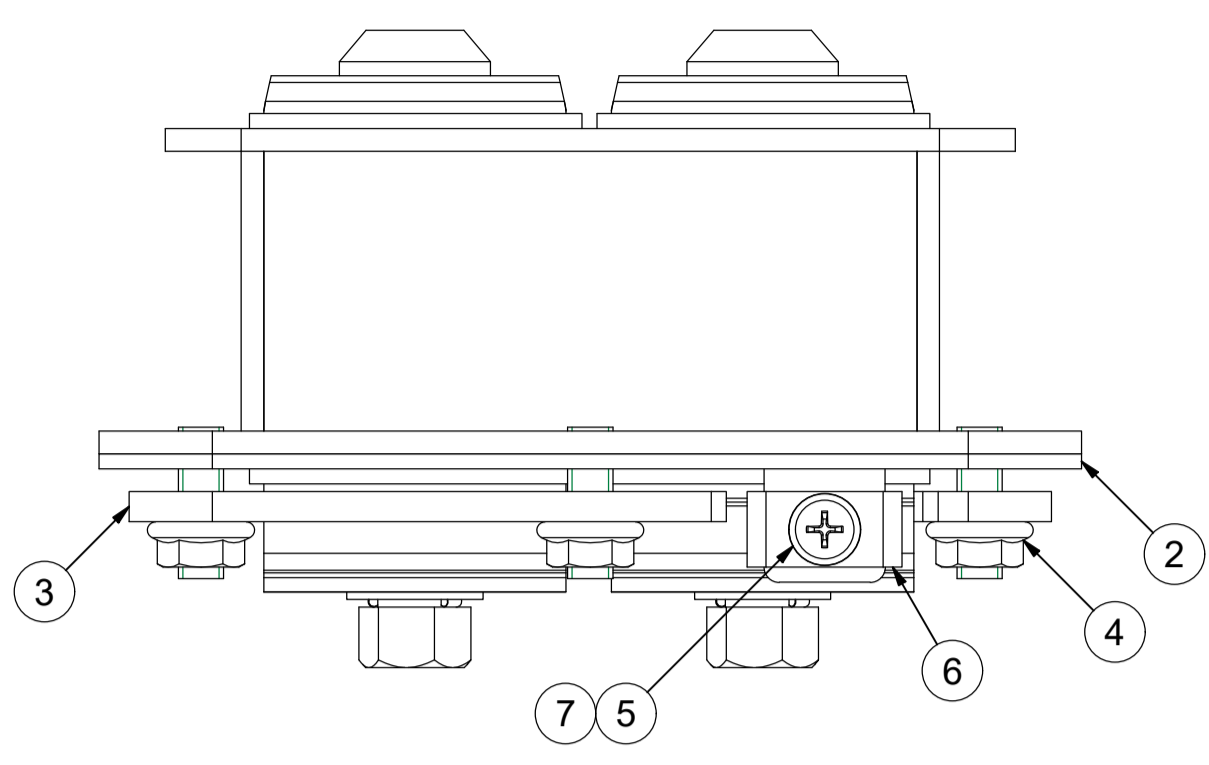
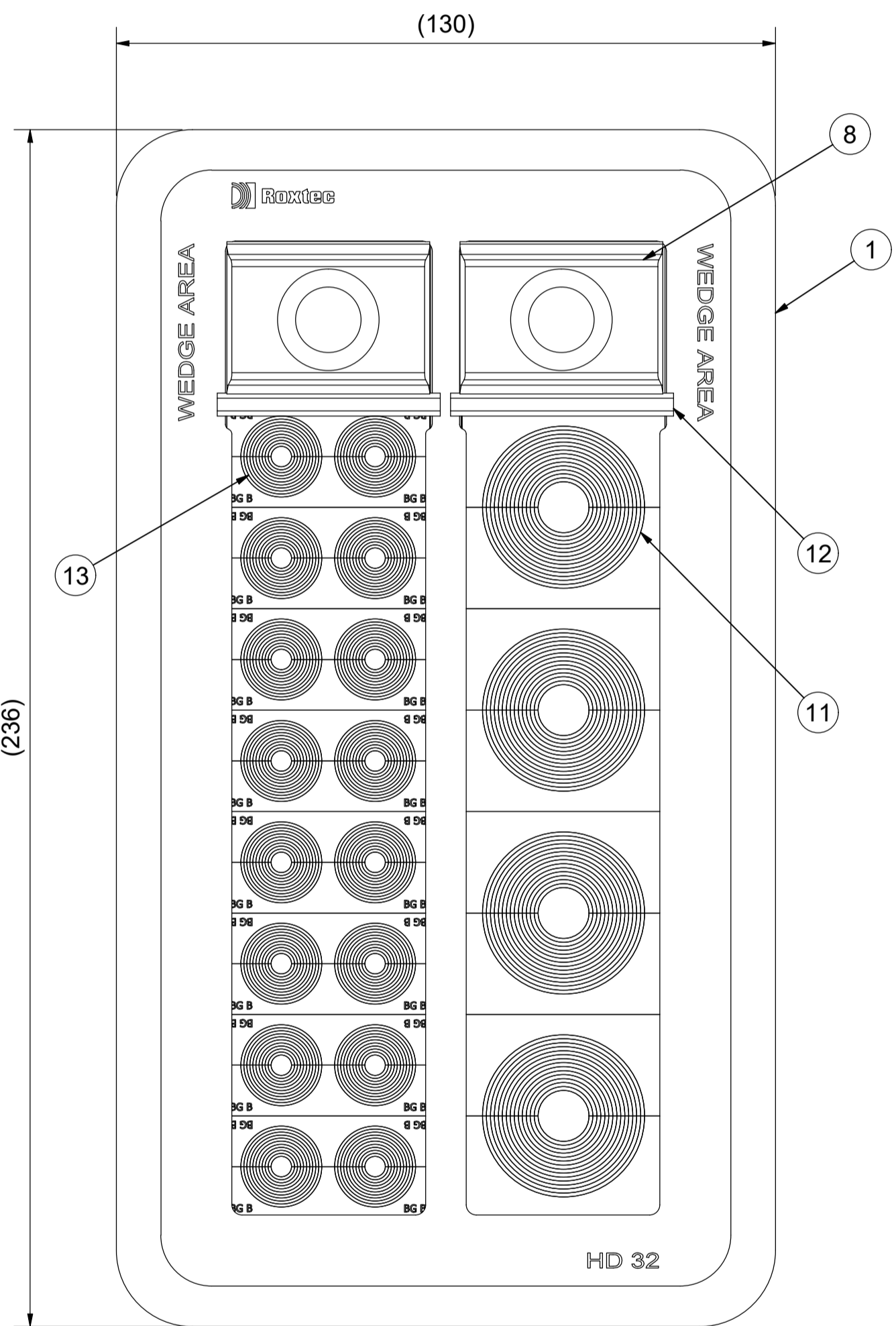


格克萊克保留所有權利。未經授權嚴禁複製、使用以及向第三方泄漏。

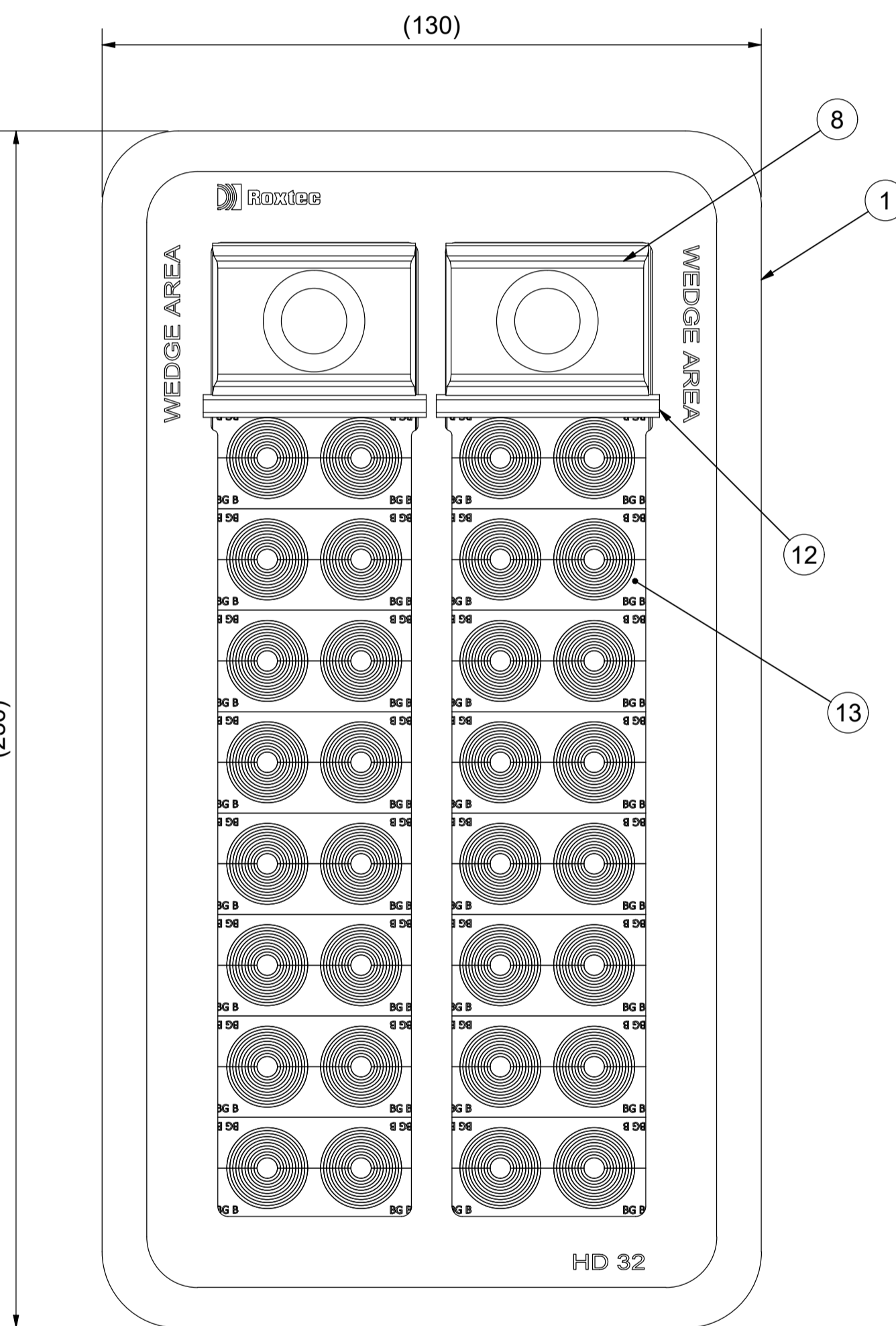
All rights reserved. Unauthorized reproduction, use or disclosure to third parties is strictly forbidden.



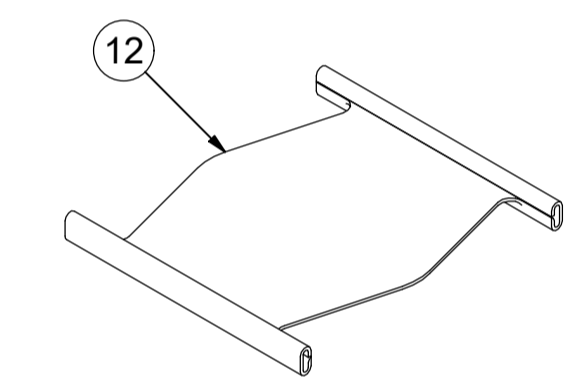
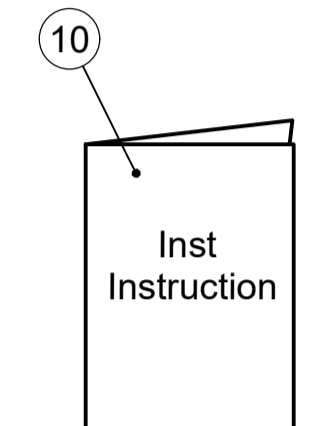
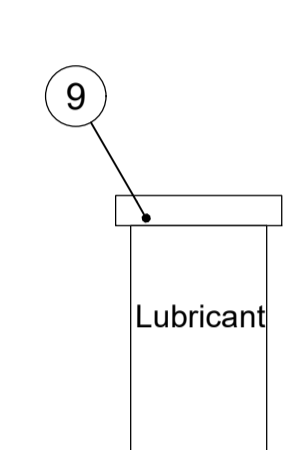
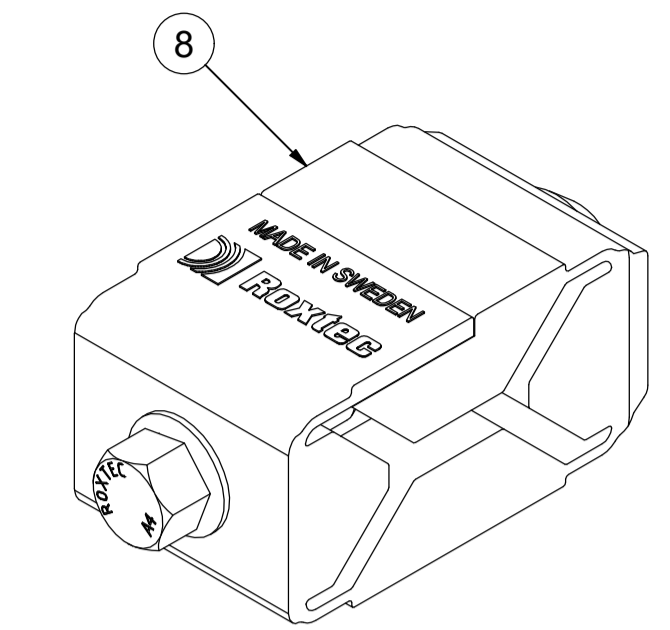
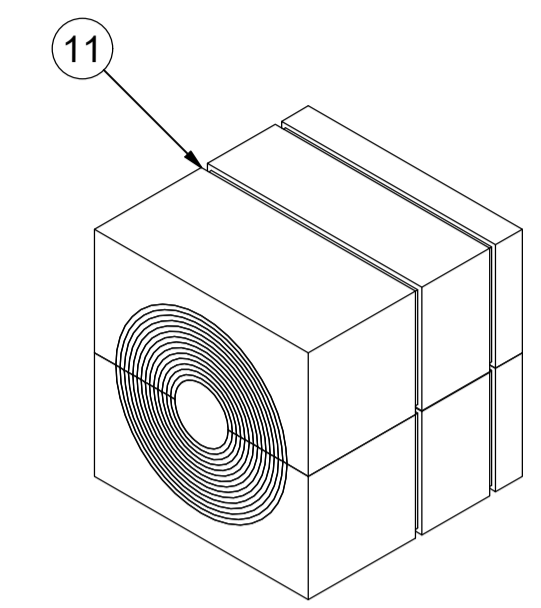
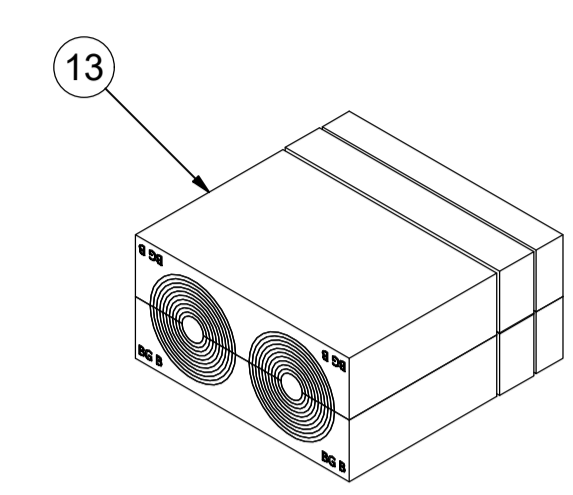
HD 32/8 BG



HD 32/20 BG



HD 32/32 BG



KIT CONFIGURATION		
KIT	CM 20w40 BG B	CM 40 10-32 BG B
HD 32/8 BG	-	8
HD 32/20 BG	8	4
HD 32/32 BG	16	-

ITEM	QTY	Designation	Specification	Weight
13	-	CM 20w40 BG B	RANGE ø 0+3.5-16.5	
12	2	STAYPLATE 40 HD	AISI 316L	
11	-	CM 40 10-32 BG B	RANGE ø 0+9.5-32.5	
10	1	INSTALLATION INSTRUCTION		
9	1	LUBRICANT	TALLOW	
8	2	C WEDGE 40	AISI 316	
7	1	SPRING WASHER	M5, A4	
6	1	SADDLE WASHER	AISI 316	
5	1	SCREW	M5x10, A4	
4	10	FLANGED NUT	M6, A4	
3	2	COUNTER FRAME	AISI 316L	
2	1	GASKET	EPDM CELLULAR RUBBER	
1	1	HD 32 FRAME	AISI 316	

HD 32 BG KITS
 Restricted due to Information drawing
 www.roxtec.com

General standard: ISO 2768-1/2-M	Product code: EN ISO 3817-8	General surface roughness: Ra 12.5	Designed by: se-henols	Design date: 2024-01-17	Latest save date: 2024-03-21	Format: A1	Scale: 1 / 1	Sheet no: 1 / 1	Total weight: N/A
----------------------------------	-----------------------------	------------------------------------	------------------------	-------------------------	------------------------------	------------	--------------	-----------------	-------------------

Rev	Type of revision	Date	Sign
A		2024-01-17	se-henols