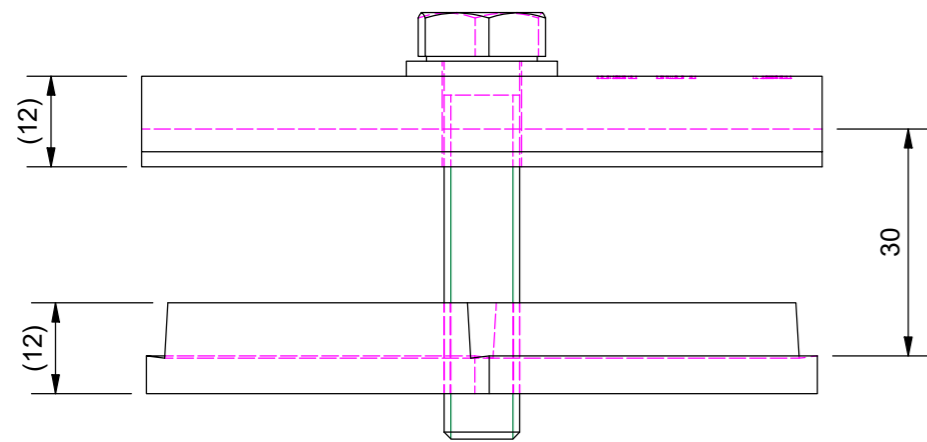
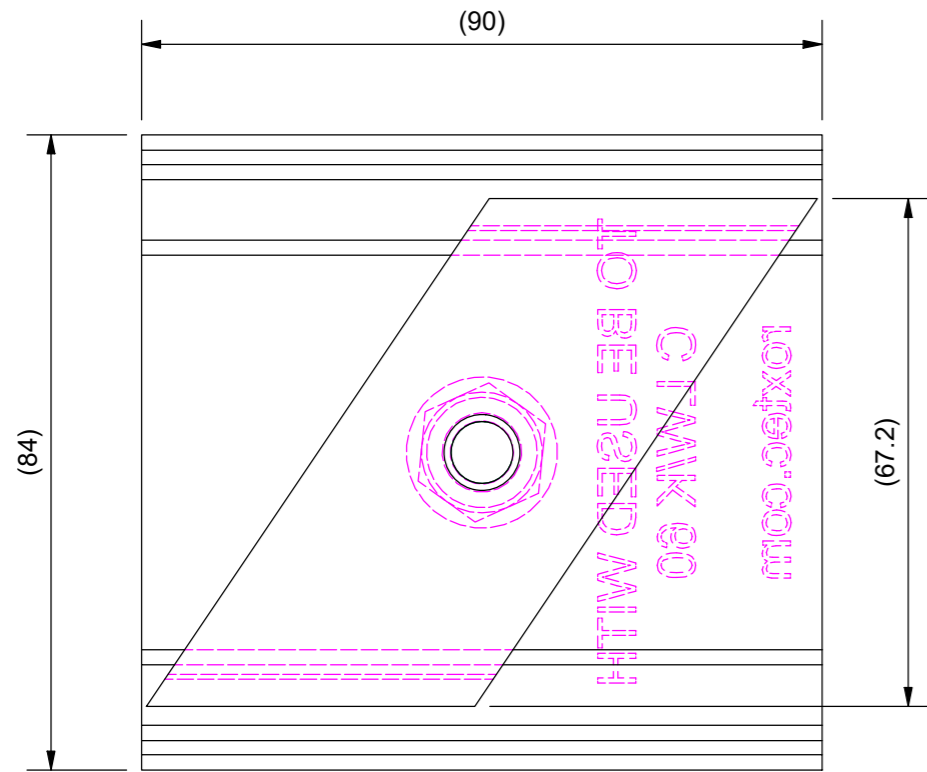
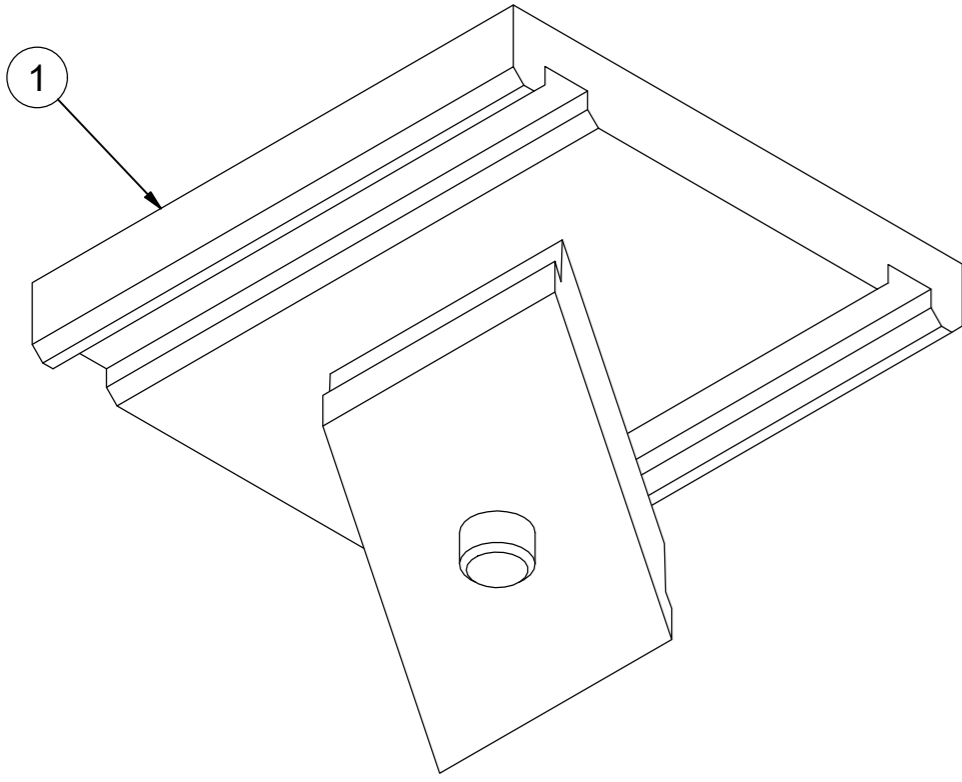


烙克赛克保留所有权利。未经授权严禁复制，  
使用以及向第三方泄漏。

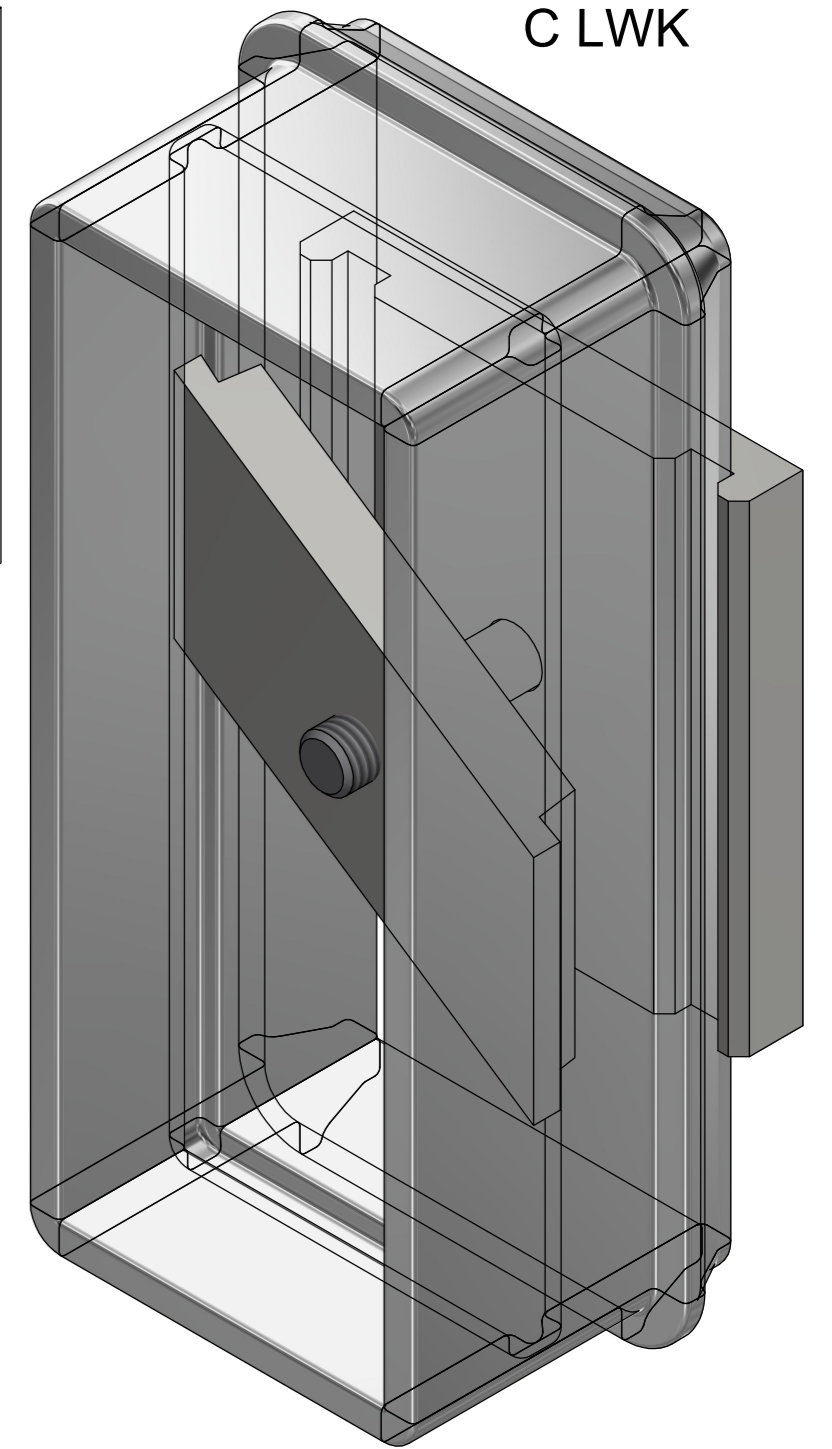
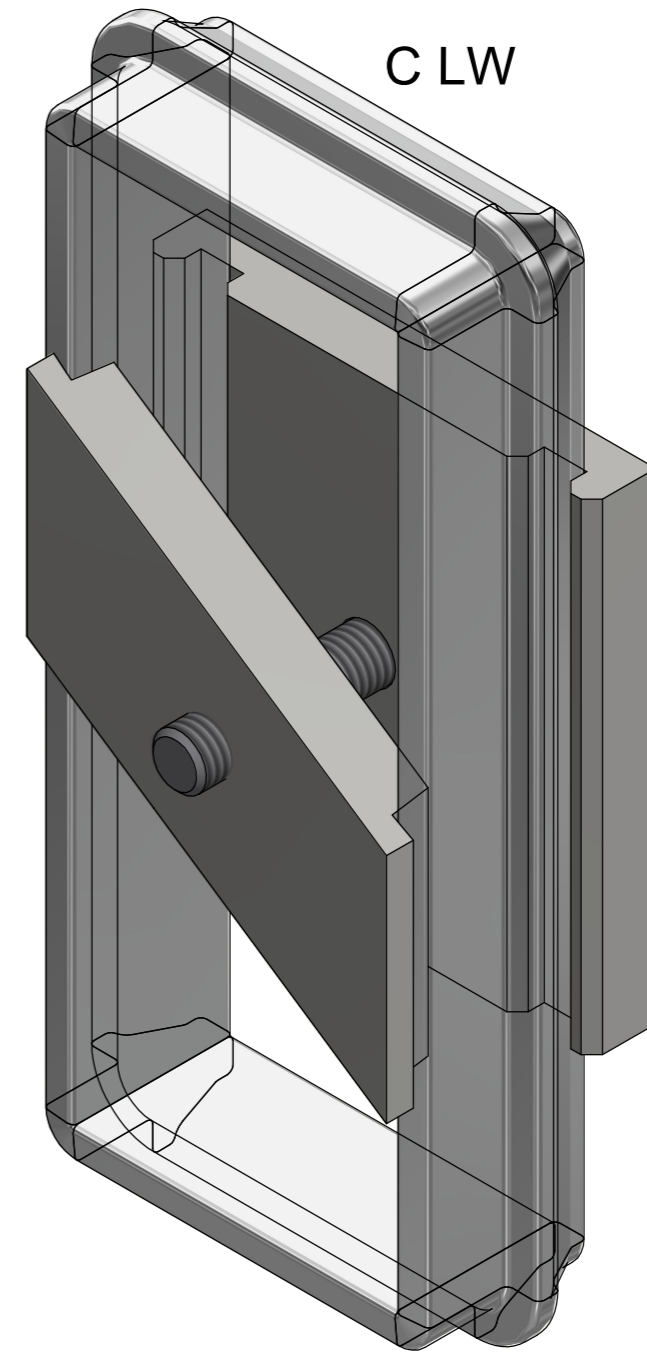
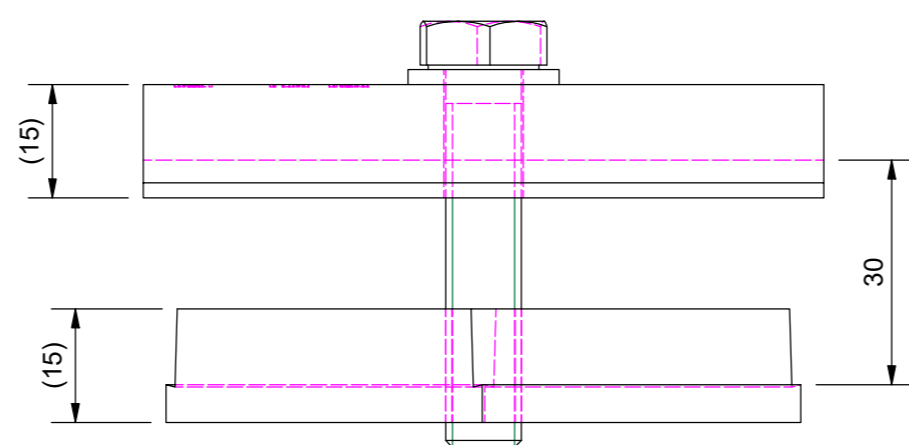
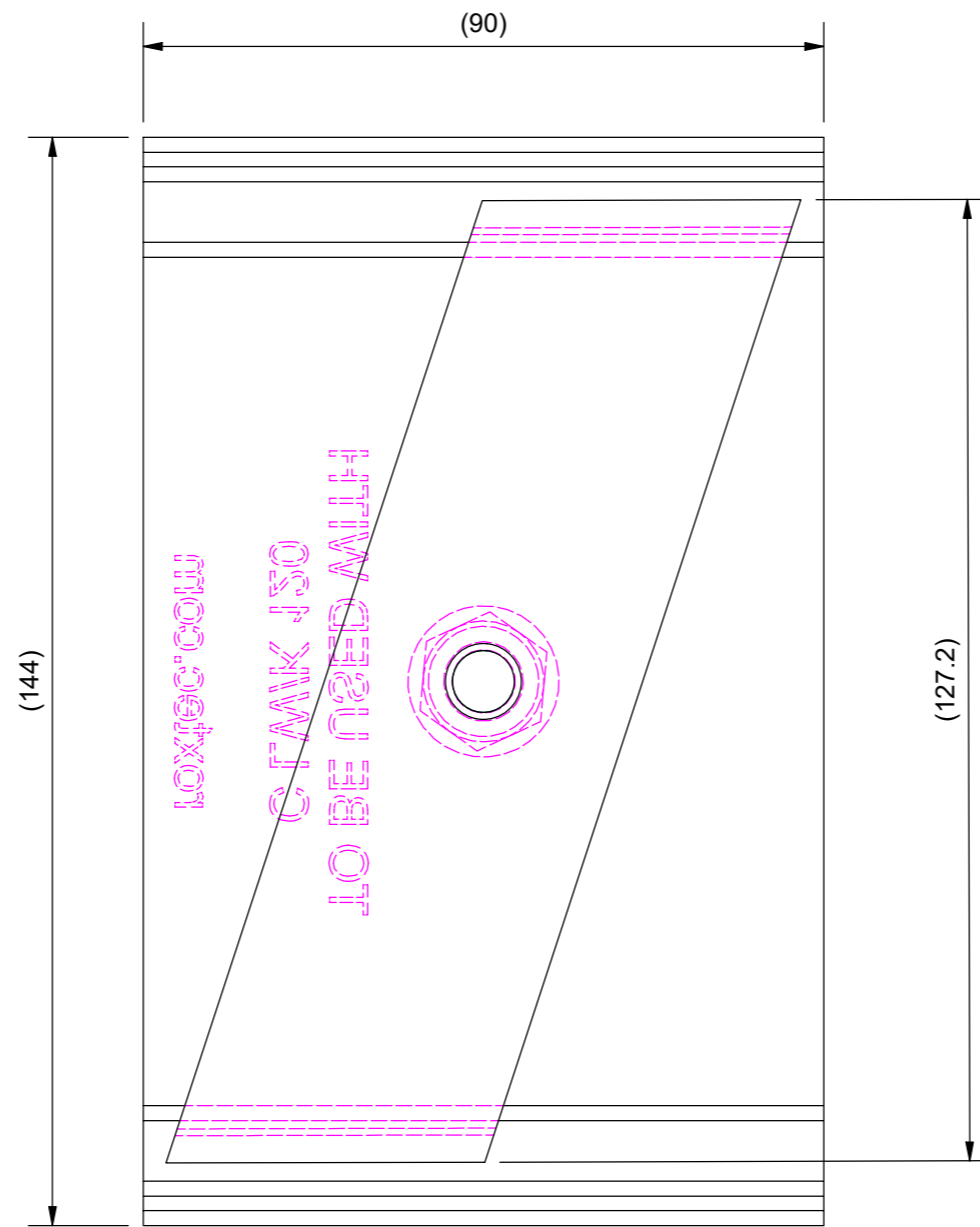
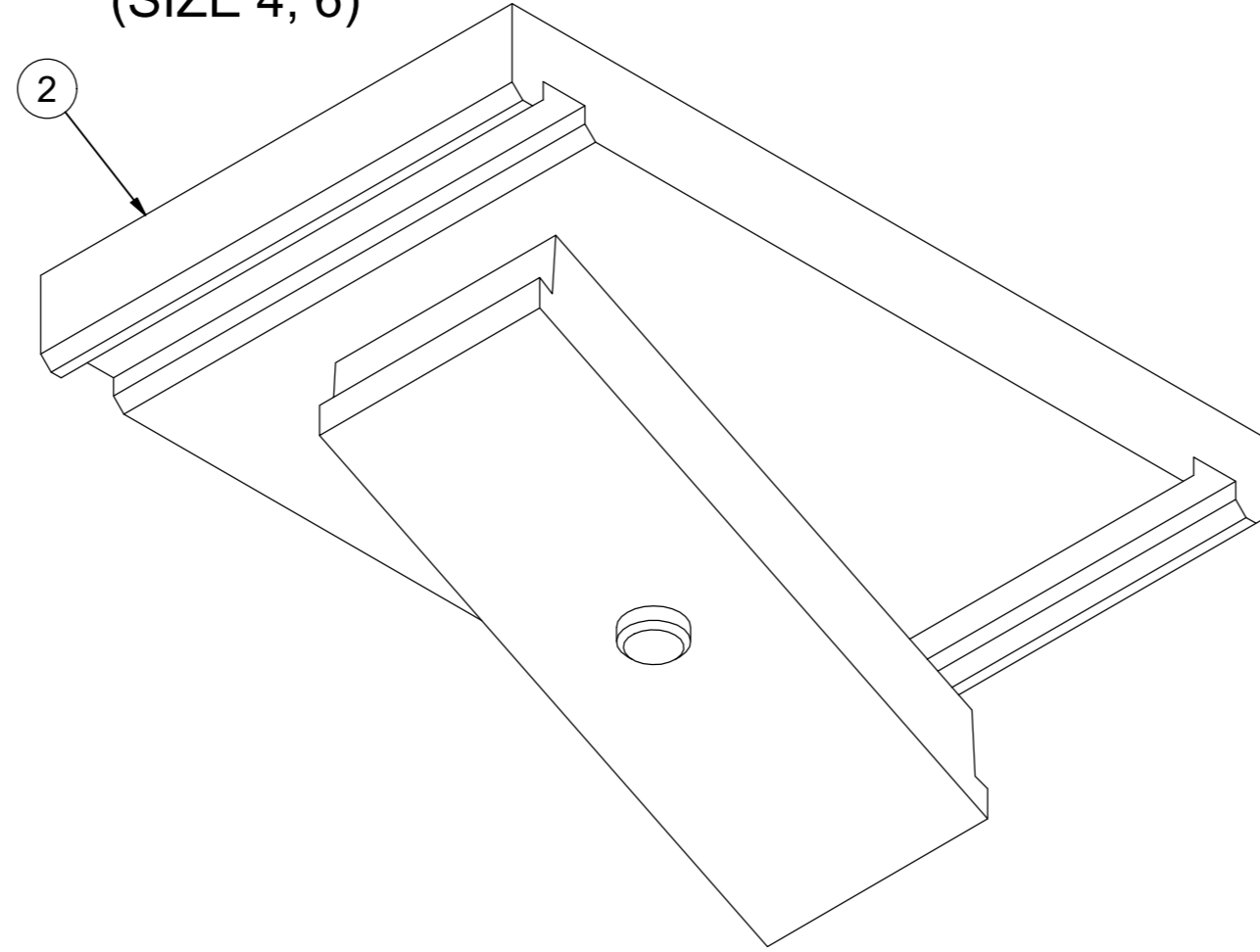
All rights reserved. Unauthorized reproduction, use  
or disclosure to third parties is strictly forbidden.

Rev 3.1

WELDING FIXTURE  
C LW/K 60 WIDTH  
(SIZE 3, 5, 7)



WELDING FIXTURE  
C LW/K 120 WIDTH  
(SIZE 4, 6)



2	1	WELDING FIXTURE C LW/K 120					
1	1	WELDING FIXTURE C LW/K 60					
ITEM	QTY	Designation	Specification				Weight
General tolerances used for manufacturing shown in document DOC-002180		Designed by/date se-danstr 2023-10-19	Latest save date 2024-01-22	Format A2	Scale	Sheet no 1 / 1	TotWeight -
Title <b>Roxtec</b> www.roxtec.com		ROXTEC TOOLS WELDING FIXTURE C LW/K		Drawing number S1597864		Projection method ⊕	Rev B
		Restricted due to Information drawing					

Information drawings show general design and nominal dimensions if not else stated

B		2024-01-17	se-danstr
Rev	Type of revision	Date	Sign