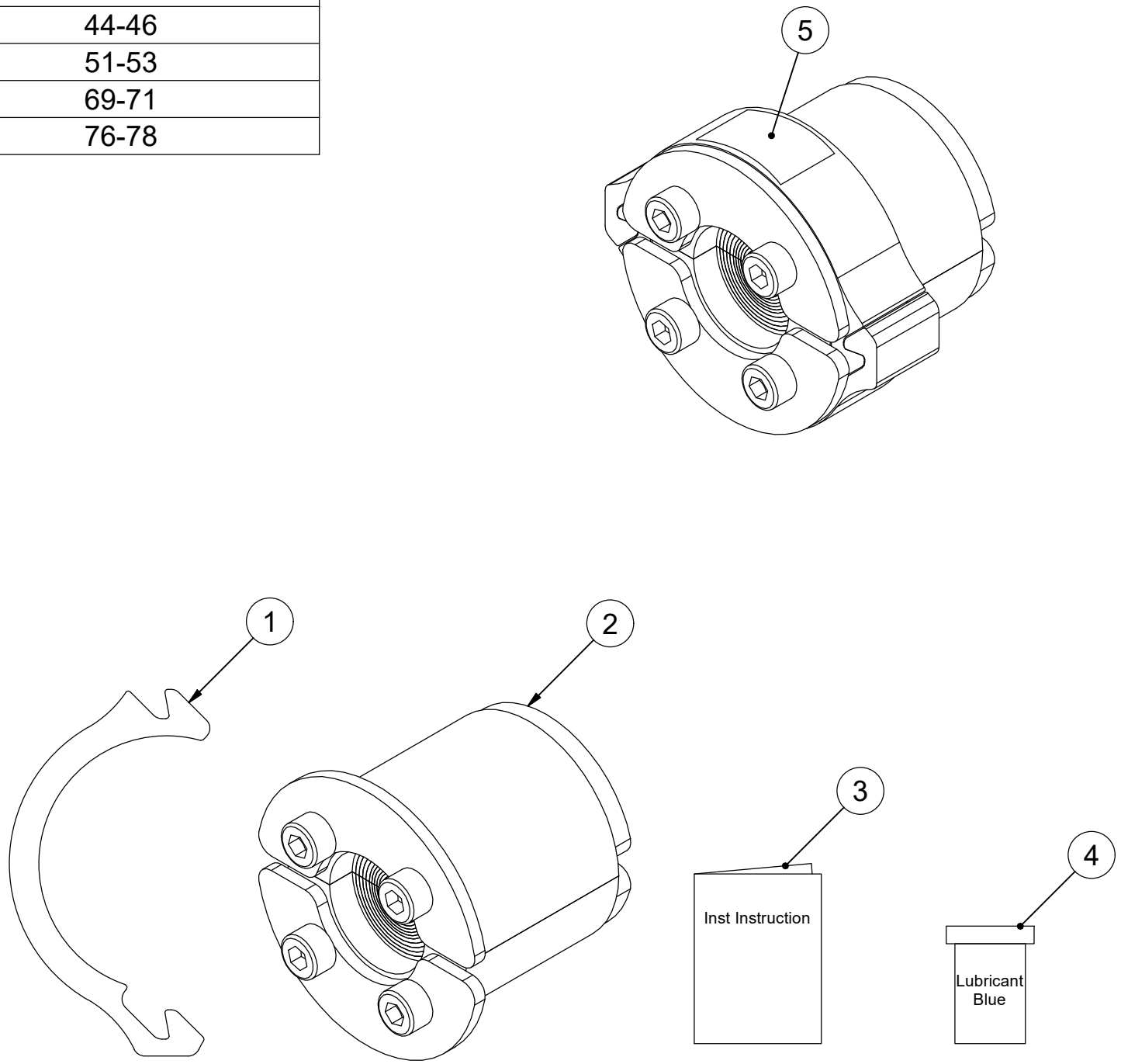
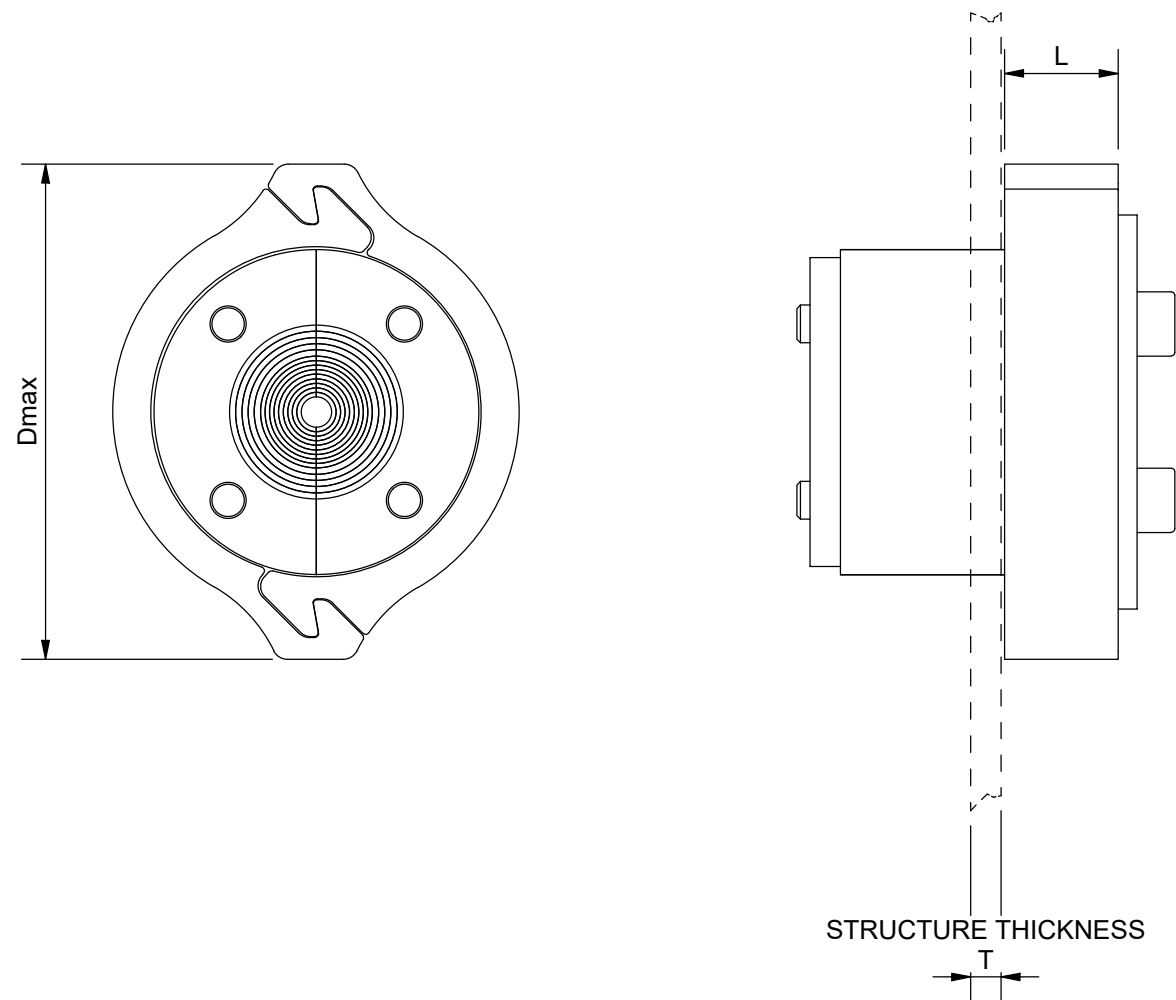

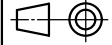


TYPE	CABLE DIAMETER (mm)	Dmax (mm)	L (mm)	T (mm)	APERTURE/HOLECUT (mm)
C RS SLO 43	4-23	63	15	4-10	44-46
C RS SLO 50	8-30	70	15	4-10	51-53
C RS SLO 68	26-48	91	15	4-10	69-71
C RS SLO 75	24-54	98	15	4-10	76-78



5	1	LABEL							
4	1	LUBRICANT BLUE							
3	1	INSTALLATION INSTRUCTION							
2	1	C RS SEAL	AISI316						
1	2	C SLO SLEEVE PROFILE	ALUMINUM						
ITEM	QTY	Designation	Specification				Weight		
General tolerances used for manufacturing shown in document DOC-002180		Designed by/date se-danstr 2023-10-06	Latest save date 2024-09-11	Format A3	Scale	Sheet no 1 / 1	TotWeight N/A		
 www.roxtec.com		Title C RS SLO ASSEMBLY		Projection method 		Rev E			
		Restricted due to Information drawing		Drawing number S1597300					

E		2024-09-11	se-henols
Rev	Type of revision	Date	Sign