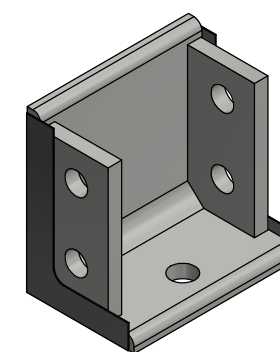
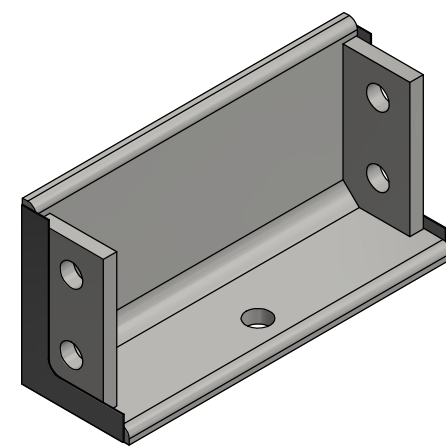
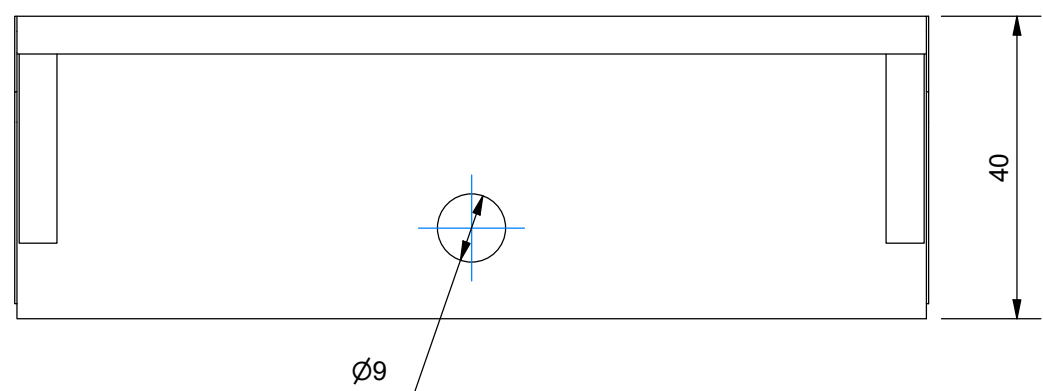
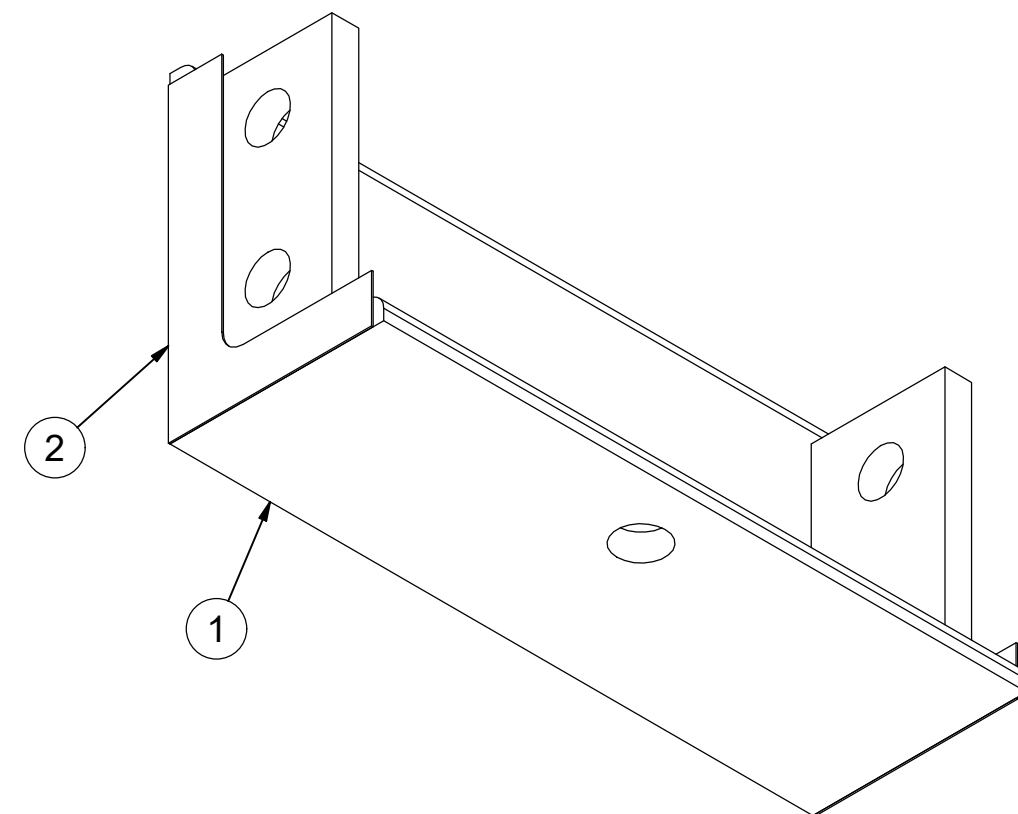
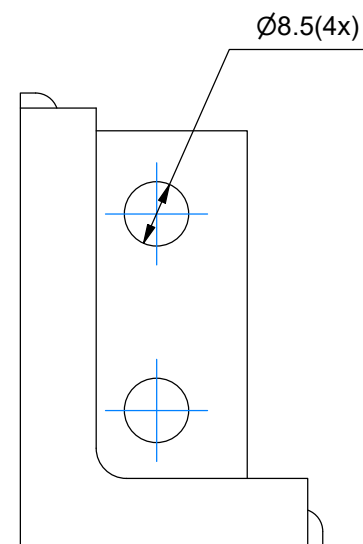
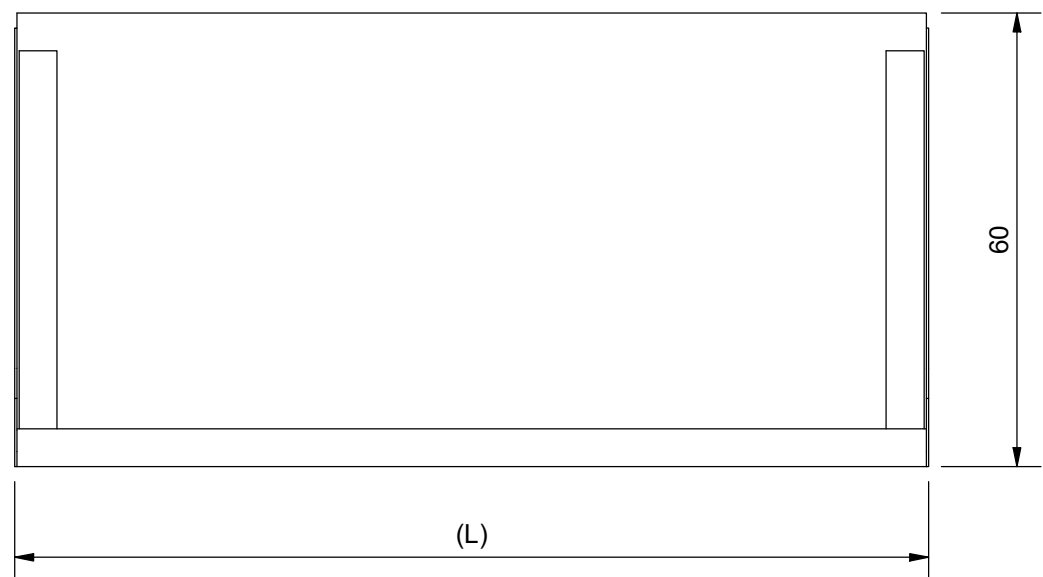


烙克赛克保留所有权利。未经授权严禁复制、使用以及向第三方泄露。

All rights reserved. Unauthorized reproduction, use or disclosure to third parties is strictly forbidden.

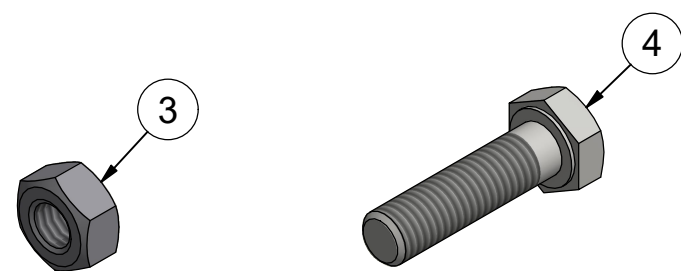
Rev 3.1

Part	L
SHORT SIDE 120	120.5
SHORT SIDE 60	60.5



SHORT SIDE 120

SHORT SIDE 60



ITEM	QTY	Designation	Specification	Weight
4	4	SCREW	M8x30 ISO 4017	
3	4	NUT	M8 ISO 4032	
2	2	GASKET		0
1	1	SHORT SIDE		0.5

General tolerances used for manufacturing shown in document DOC-002180		Designed by/date	Latest save date	Format	Scale	Sheet no	TotWeight
		se-parham 2023-05-22	2023-05-23	A3		1 / 1	0.5 kg
 Roxtec www.roxtec.com		Title B FRAME SHORT SIDE 60 & 120				Projection method 	
		Restricted due to Information drawing		Drawing number S1592074		Rev A	

A		2023-05-22	se-jenboh
Rev	Type of revision	Date	Sign

Information drawings show general design and nominal dimensions if not else stated