

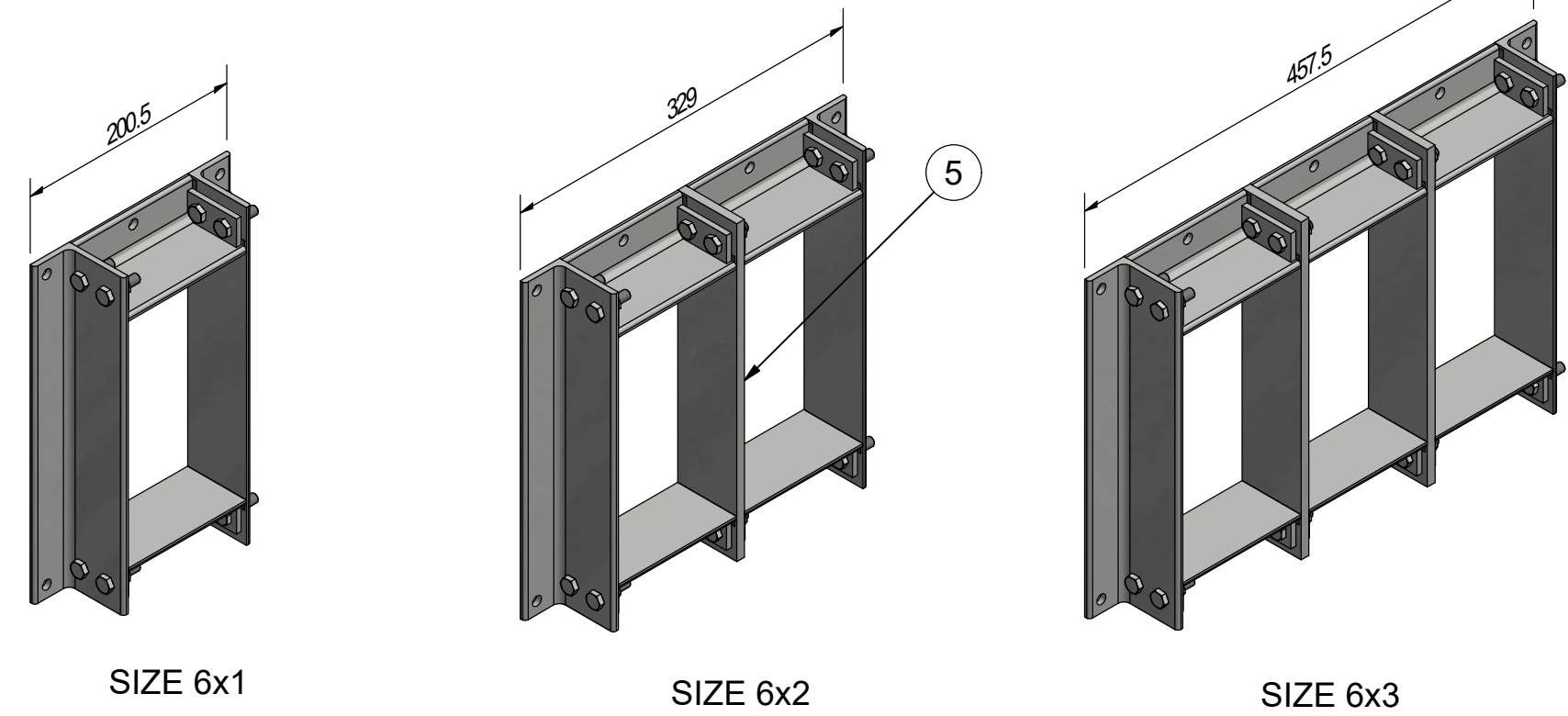
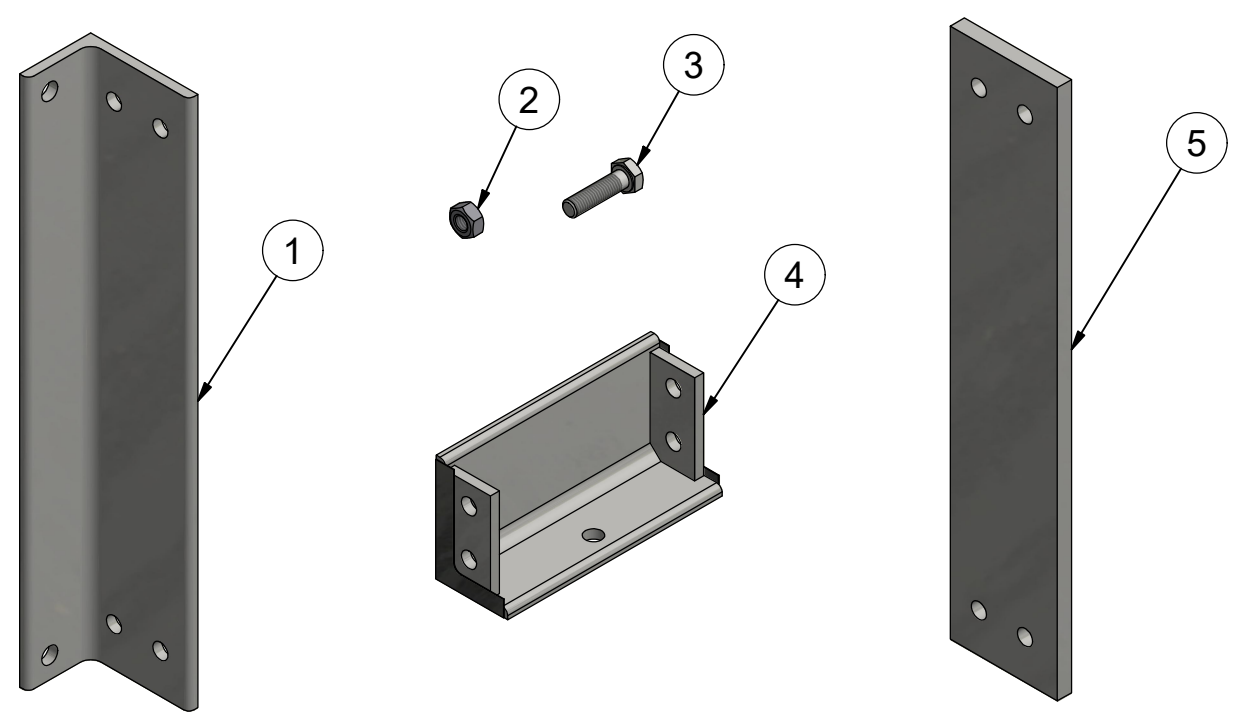
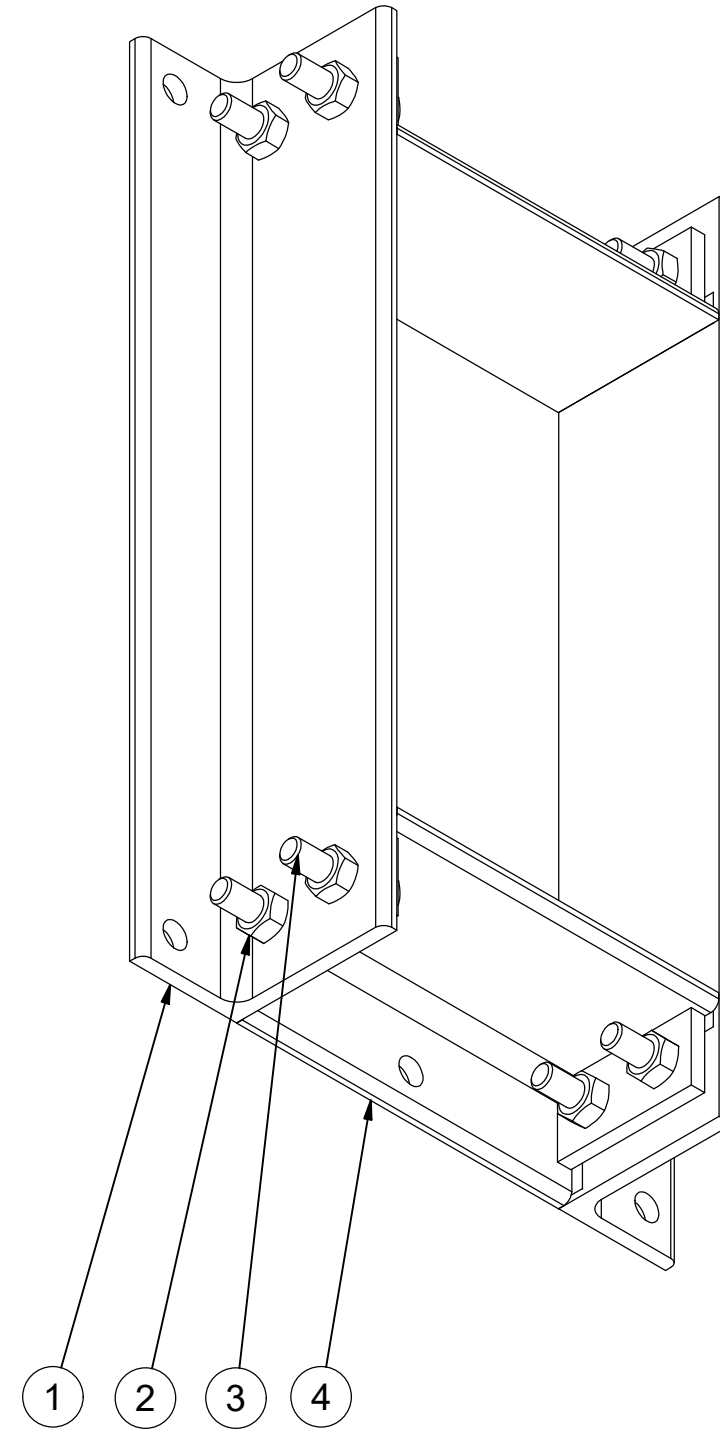
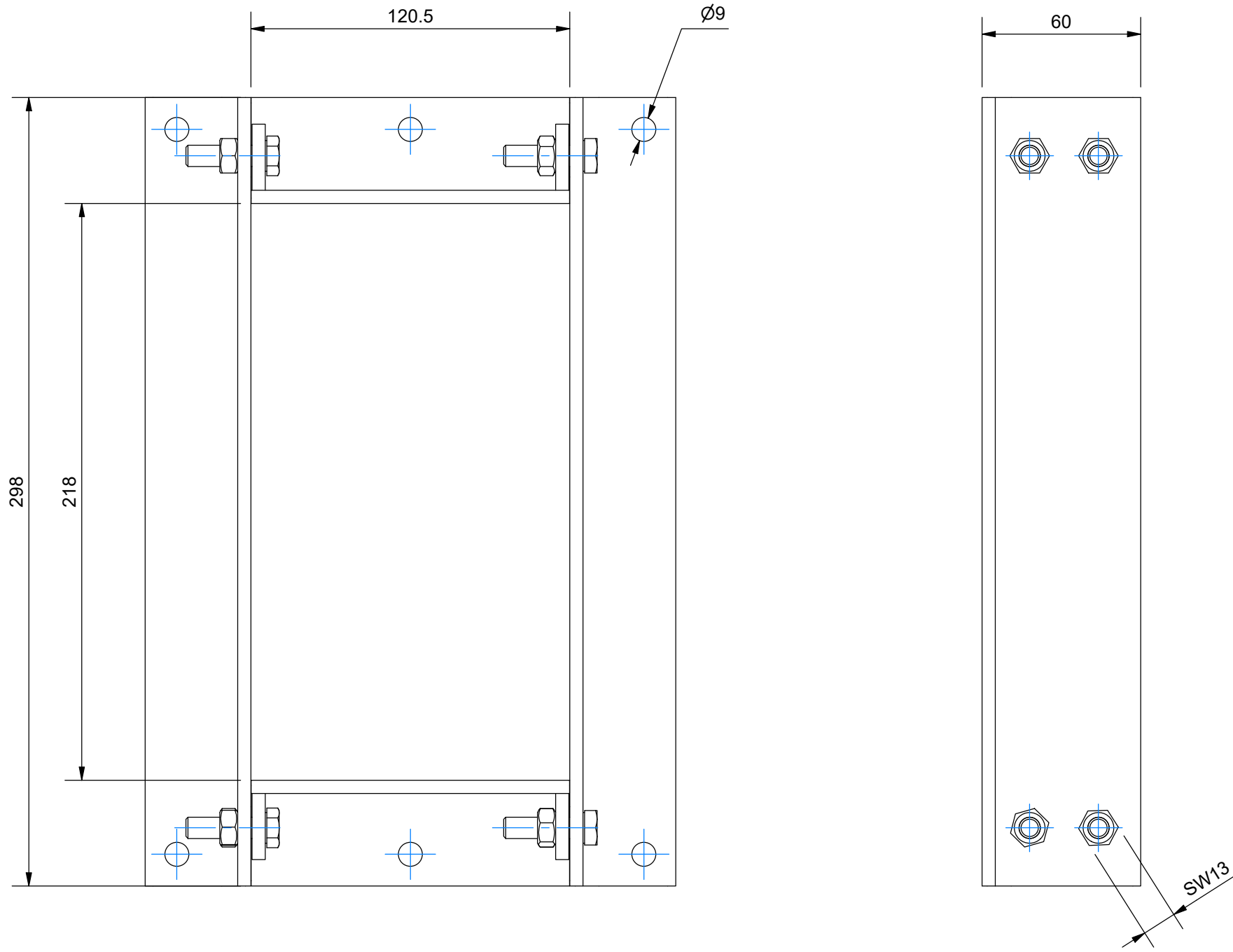
烙克赛克保留所有权利。未经授权严禁复制，  
使用以及向第三方泄漏。

All rights reserved. Unauthorized reproduction, use  
or disclosure to third parties is strictly forbidden.

SIZE 6x1			
ITEM	QTY	Designation	Specification
1	2	LONG SIDE	
2	8	NUT	M8 ISO 4032
3	8	SCREW	M8x30 ISO 4017
4	2	SHORT SIDE	

SIZE 6x2			
ITEM	QTY	Designation	Specification
1	2	LONG SIDE	
2	12	NUT	M8 ISO 4032
3	12	SCREW	M8x30 ISO 4017
4	4	SHORT SIDE	
5	1	PARTITION WALL	

SIZE 6x3			
ITEM	QTY	Designation	Specification
1	2	LONG SIDE	
2	16	NUT	M8 ISO 4032
3	16	SCREW	M8x30 ISO 4017
4	6	SHORT SIDE	
5	2	PARTITION WALL	



NOTE: FASTENERS INCLUDED WITH SHORT SIDE

Rev	Type of revision	Date	Sign
A		2023-04-17	se-parham

General tolerances used for manufacturing shown in document DOC-002180		Designed by/date se-parham 2023-04-17	Latest save date 2023-05-08	Format A2	Scale	Sheet no 1 / 1	TotWeight 3,5 kg
 www.roxtec.com		Title <b>B FRAME                  SIZE 6 ASSEMBLY</b>		Projection method 		Rev <b>A</b>	
Restricted due to Information drawing				Drawing number <b>S1590987</b>			

Information drawings show general design and nominal dimensions if not else stated