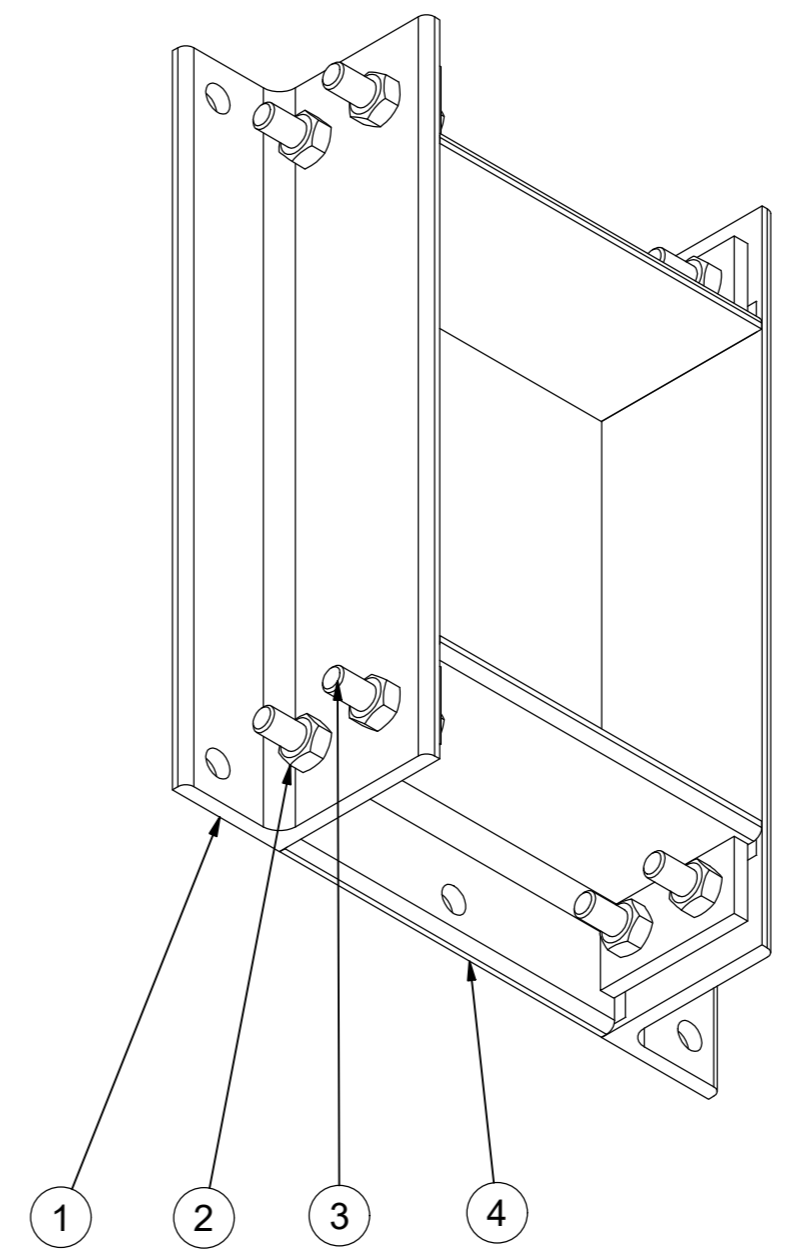
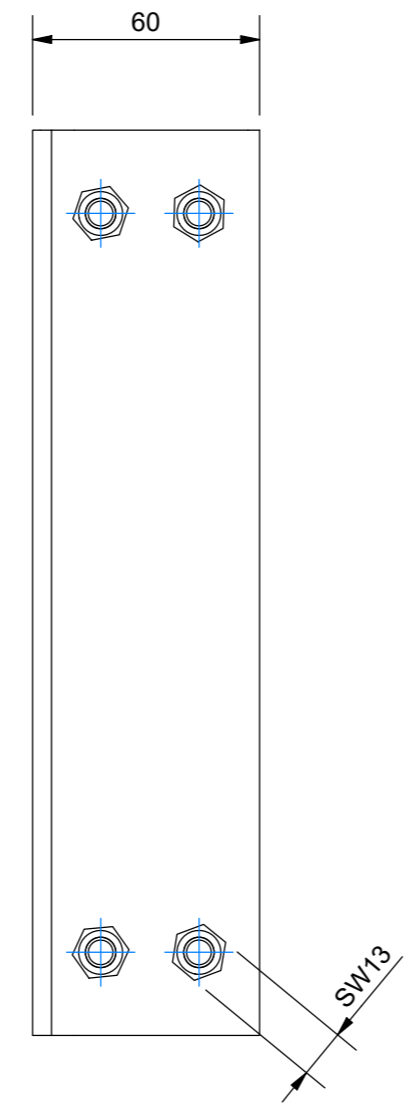
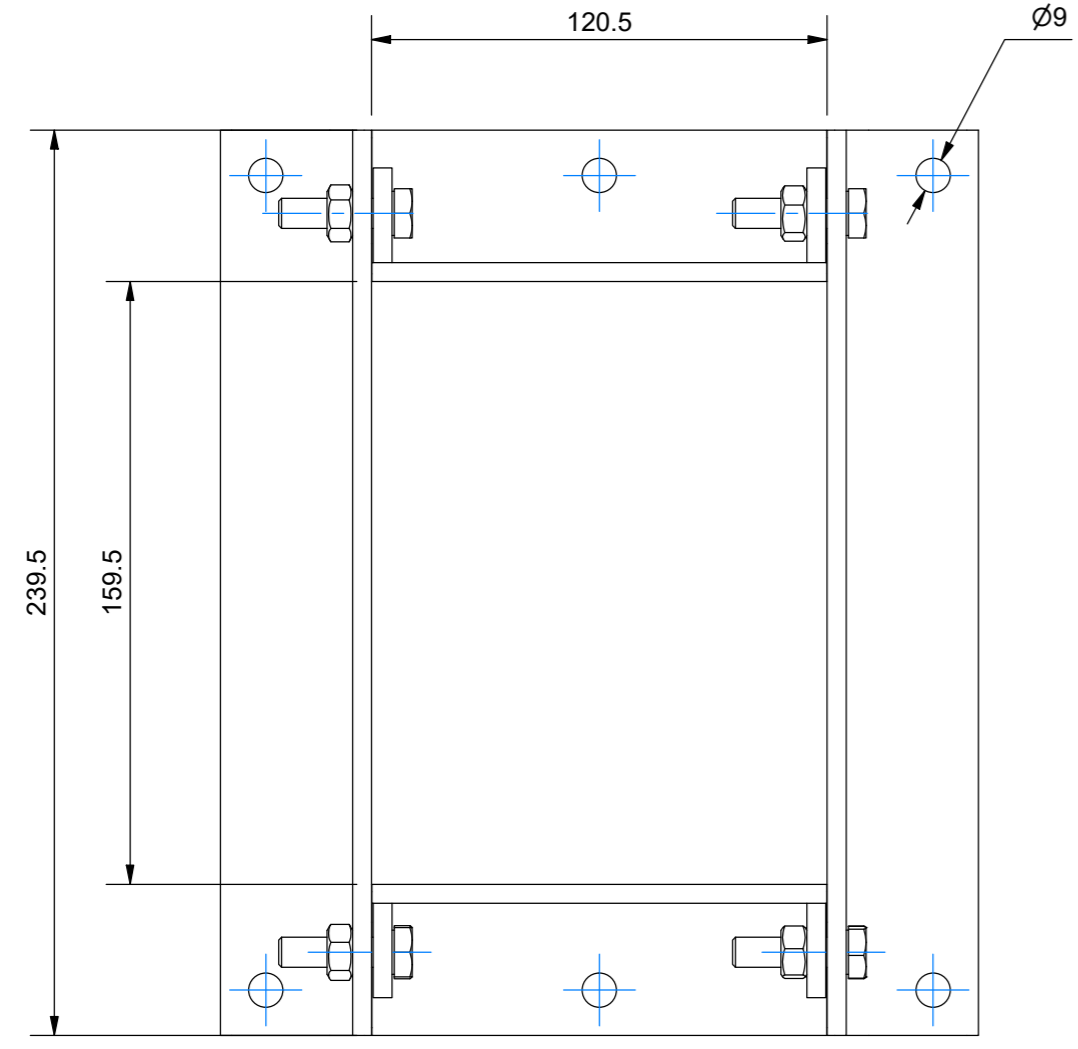
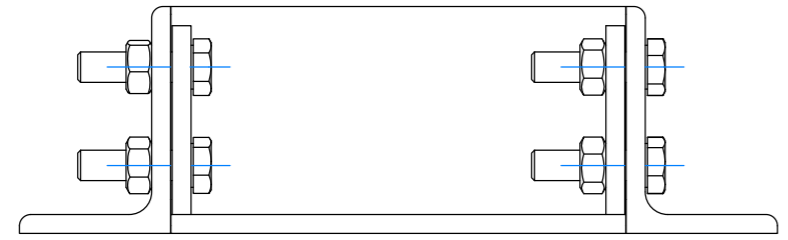


烙克赛克保留所有权利。未经授权严禁复制，使用以及向第三方泄漏。

All rights reserved. Unauthorized reproduction, use or disclosure to third parties is strictly forbidden

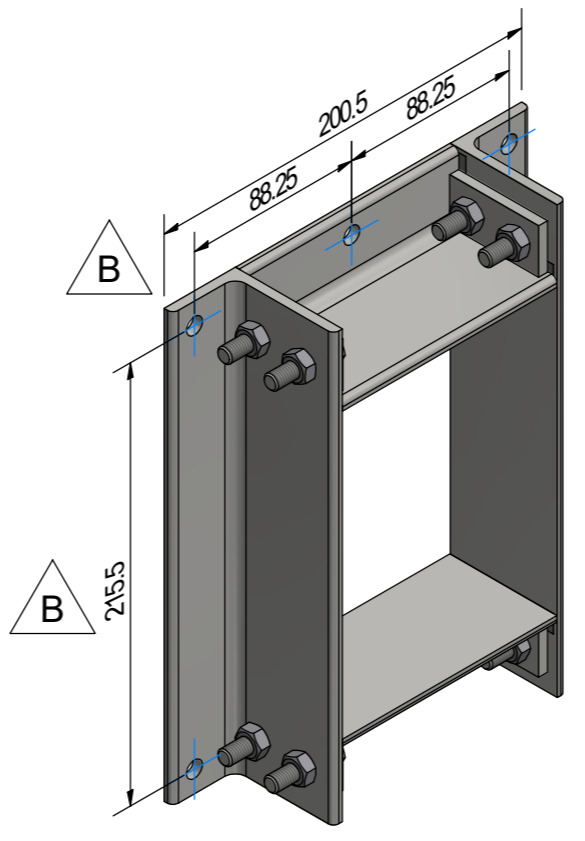
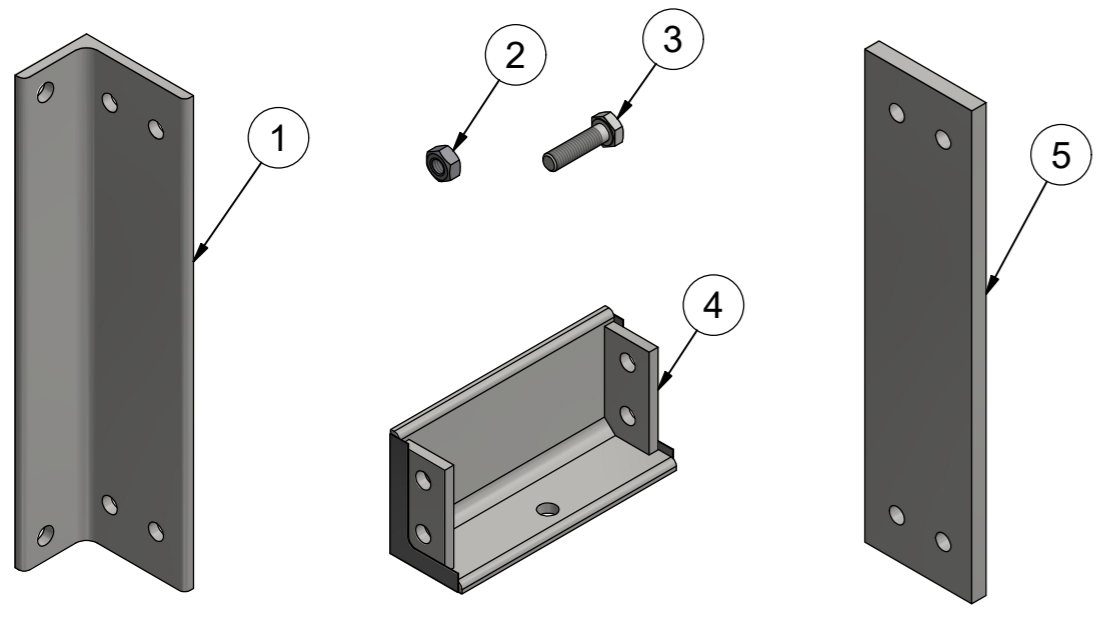
Rev 3.1



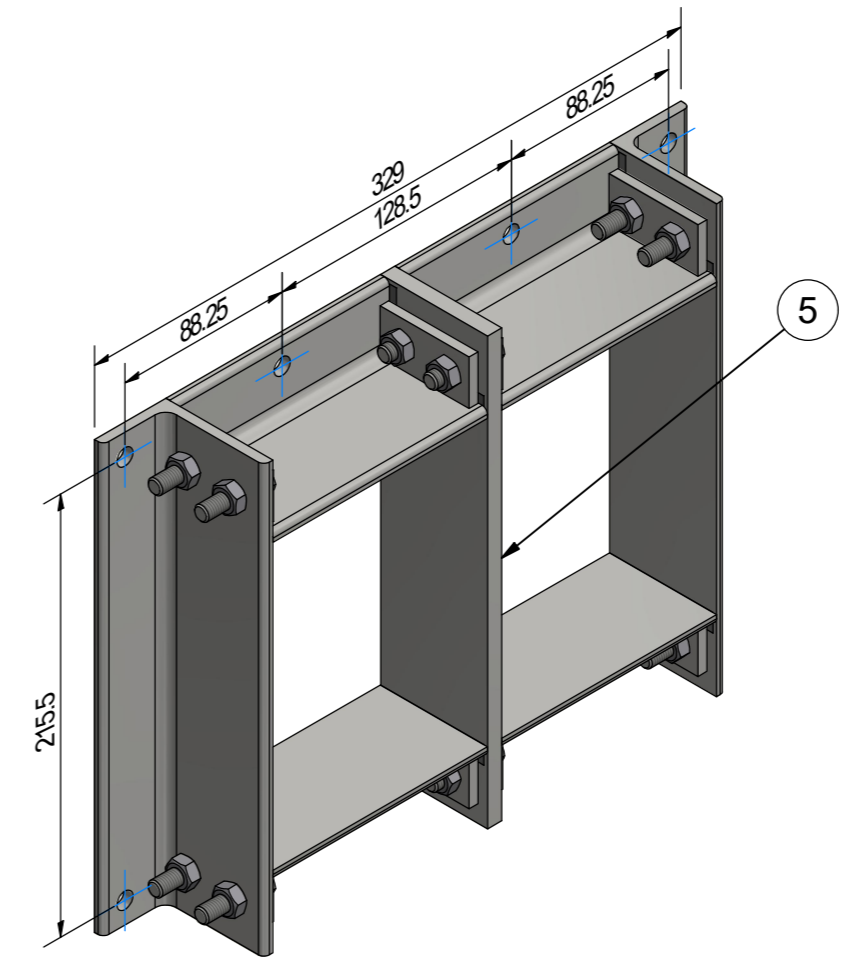
SIZE 4x1			
ITEM	QTY	Designation	Specification
1	2	LONG SIDE	
2	8	NUT	M8 ISO 4032
3	8	SCREW	M8x30 ISO 4017
4	2	SHORT SIDE	

SIZE 4x2			
ITEM	QTY	Designation	Specification
1	2	LONG SIDE	
2	12	NUT	M8 ISO 4032
3	12	SCREW	M8x30 ISO 4017
4	4	SHORT SIDE	
5	1	PARTITION WALL	

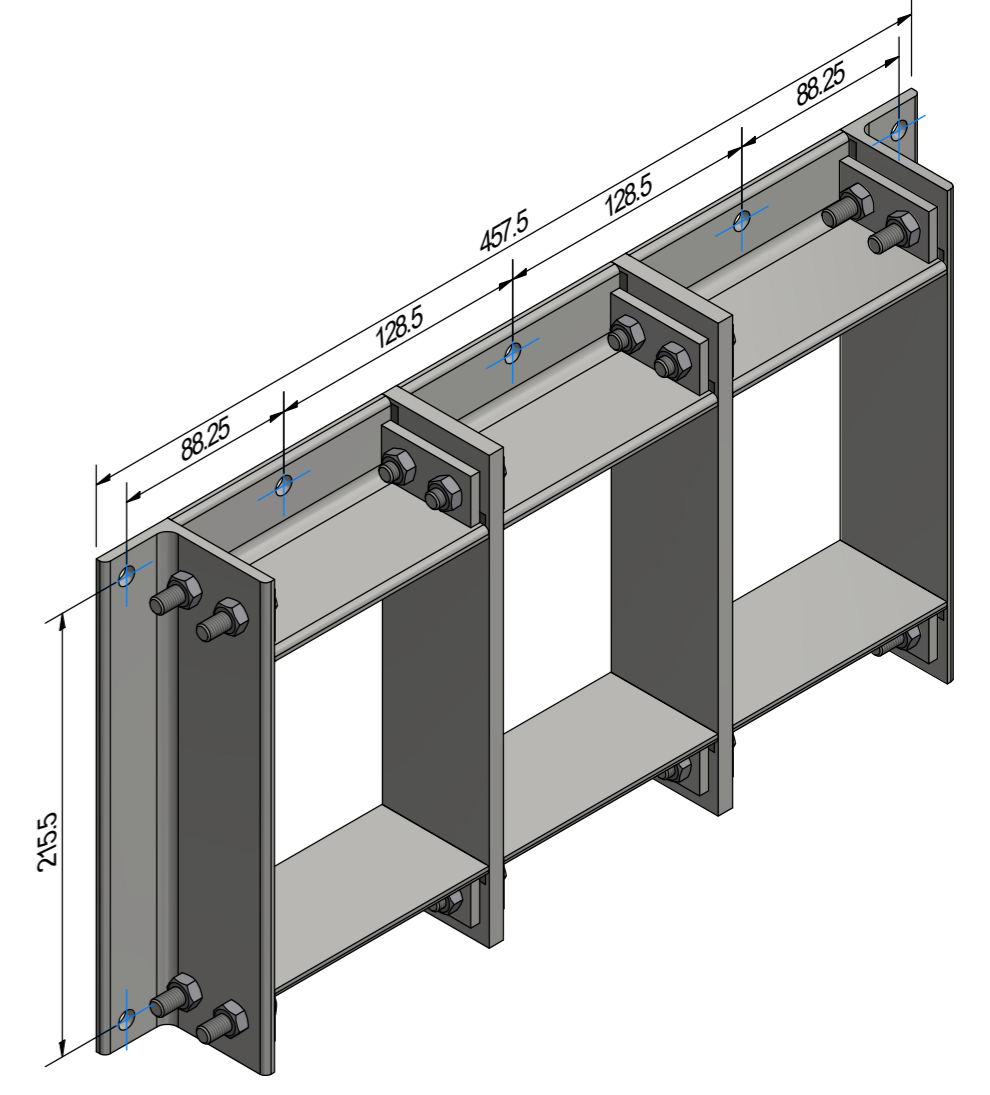
SIZE 4x3			
ITEM	QTY	Designation	Specification
1	2	LONG SIDE	
2	16	NUT	M8 ISO 4032
3	16	SCREW	M8x30 ISO 4017
4	6	SHORT SIDE	
5	2	PARTITION WALL	



SIZE 4x1



SIZE 4x2



SIZE 4x3

NOTE: FASTENERS INCLUDED WITH SHORT SIDE

Rev	Type of revision	Date	Sign
B	DIMENSION HOLE PATTERN ADDED	2023-12-06	se-parham

General tolerances used for manufacturing shown in document DDC-002180		Designed by/date se-parham 2023-03-28	Latest save date 2023-12-07	Format A2	Scale	Sheet no 1 / 1	TotWeight 3,0 kg
 www.roxtec.com		Title <b>B FRAME                  SIZE 4 ASSEMBLY</b>		Restricted due to Information drawing		Drawing number <b>S1590465</b>	
							Projection method 
							Rev <b>B</b>

Information drawings show general design and nominal dimensions if not else stated