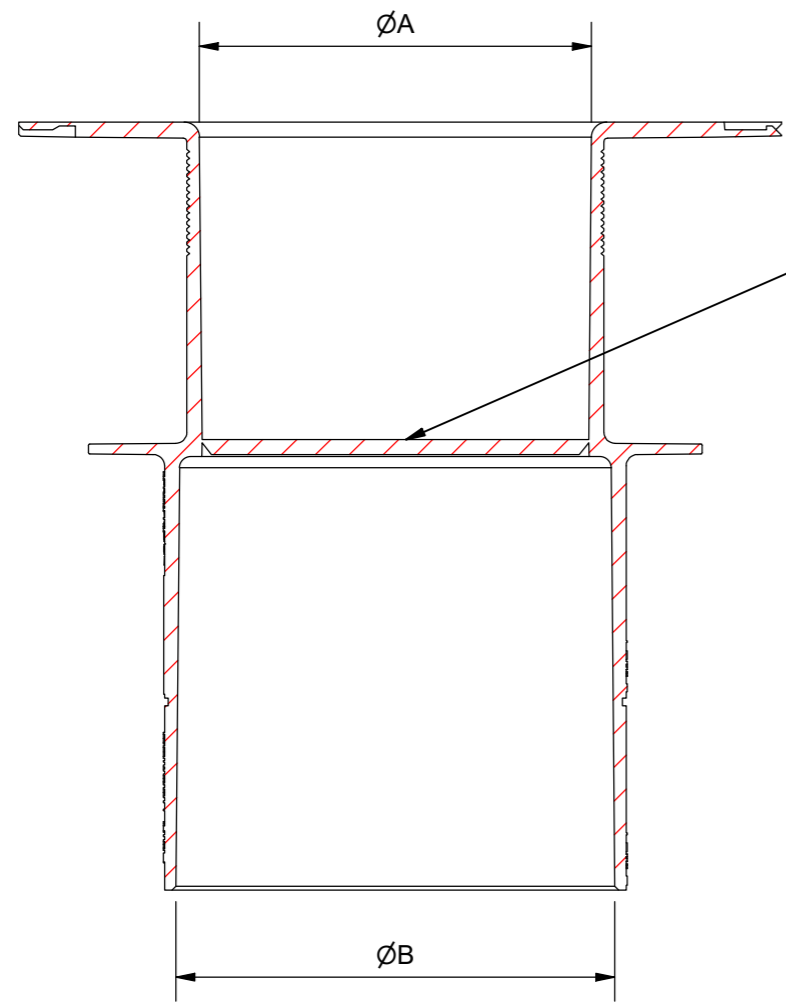
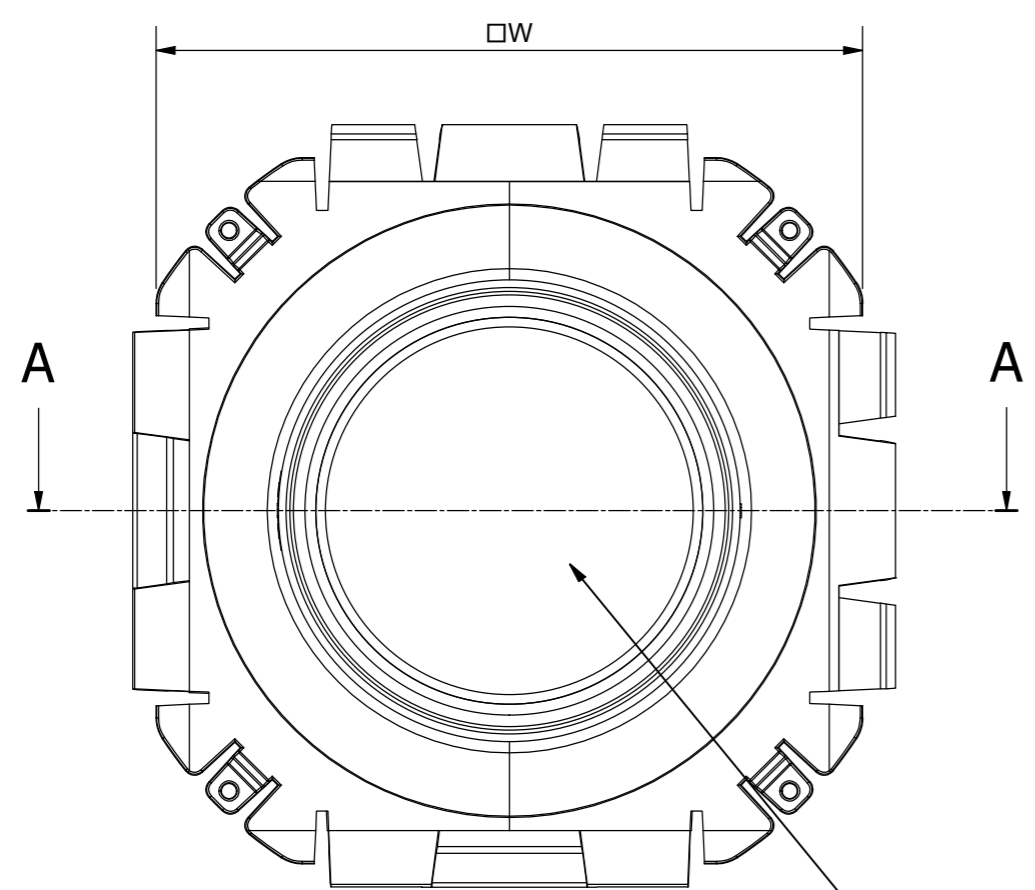
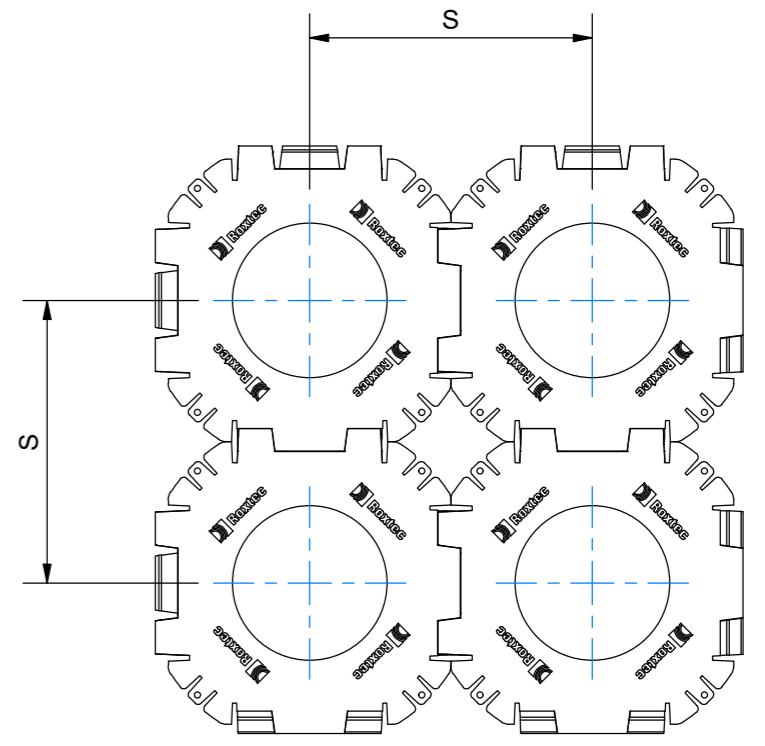
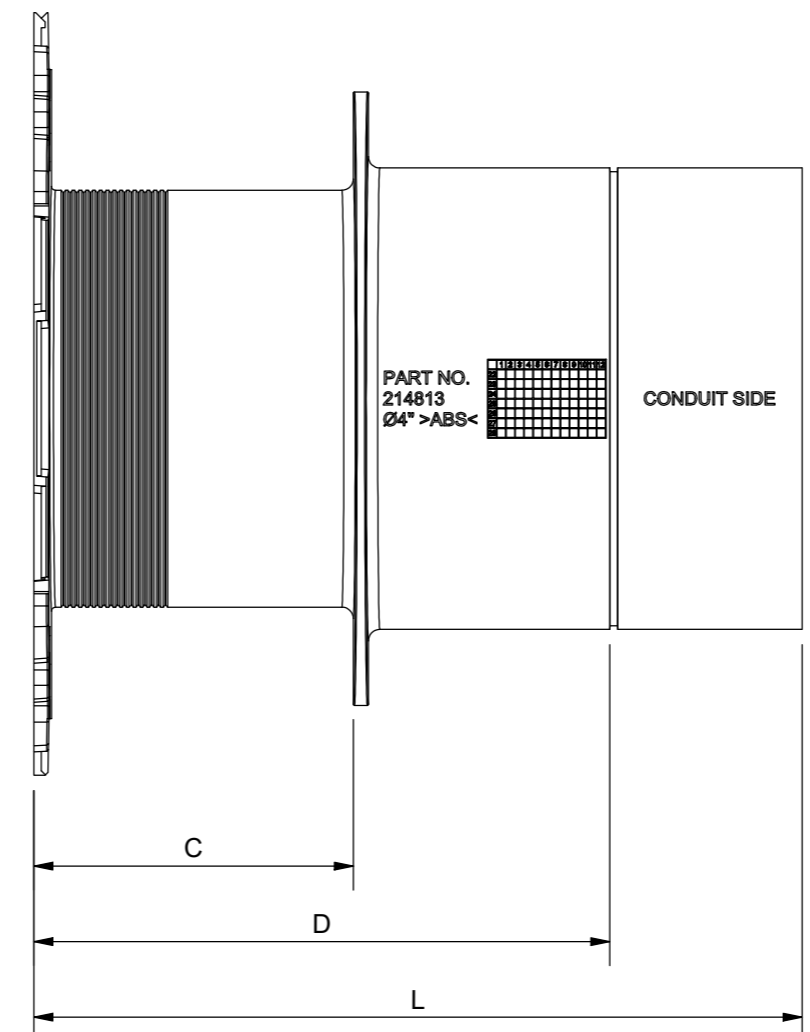


未经授权保留所有权利。未经授权严禁复制、使用以及向第三方泄露。

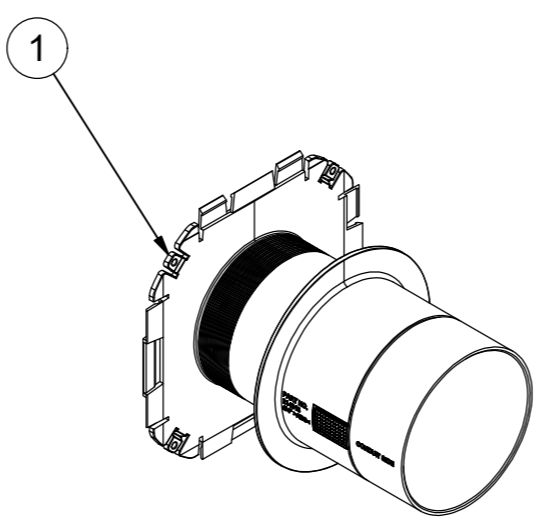
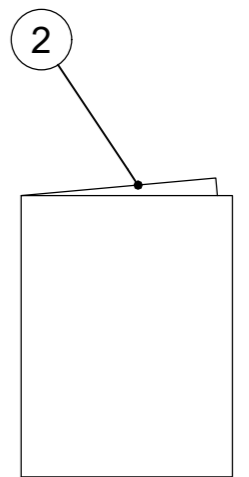
NAME	ØA	ØB	W	L	C	D	S	FITS SCH 40/80 CONDUIT (IN.)
KOS 4" L=8"	102,3	114,3	187	203,2	84,5	152,4	187	4
KOS 5" L=8"	128,2	141,3	213	203,2	84,5	152,4	213	5
KOS 6" L=8"	154,1	168,3	239	203,2	84,5	152,4	239	6
KOS 8" L=8"	202,7	219,08	287	203,2	84,5	152,4	287	8



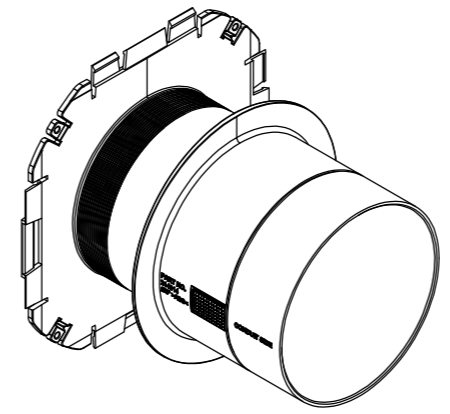
KNOCK-OUT



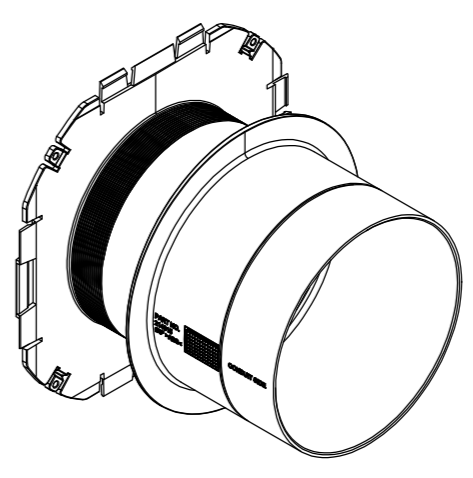
CONNECTED INTO CLUSTER



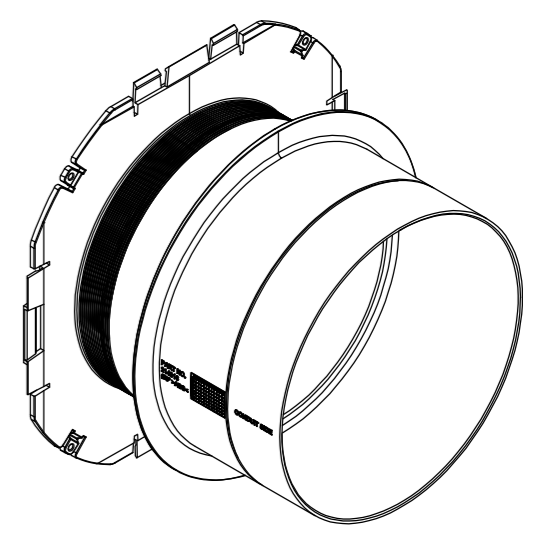
KOS 4" L=8"



KOS 5" L=8"



KOS 6" L=8"



KOS 8" L=8"

2	1	INSTALLATION INSTRUCTION						
1	1	KNOCK-OUT SLEEVE	ABS					0.4
ITEM	QTY	Designation	Specification				Weight	
General tolerances used for manufacturing shown in document DOC-002180		Designed by/date se-robgus 2022-06-17	Latest save date 2022-10-11	Format A2	Scale	Sheet no 1 / 1	TotWeight 0.4 kg	
Title <b>Roxtec</b> www.roxtec.com		KNOCK-OUT SLEEVE INCH VERSION ASSEMBLY				Projection method ⊕	Rev B	
Restricted due to Information drawing		Drawing number S1580682						

Rev	Type of revision	Date	Sign
B		2022-10-06	se-robgus

Information drawings show general design and nominal dimensions if not else stated

Rev 2.0 All rights reserved. Unauthorized reproduction, use or disclosure to third parties is strictly forbidden.