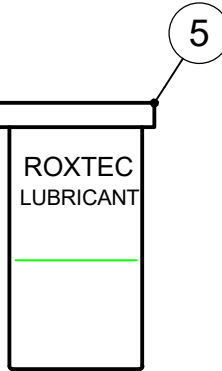
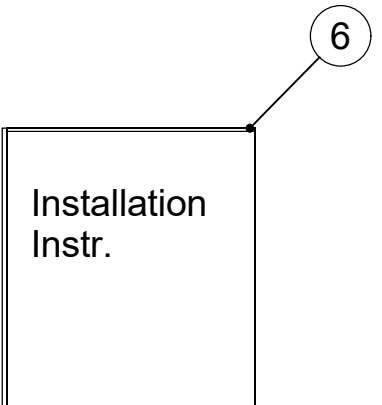
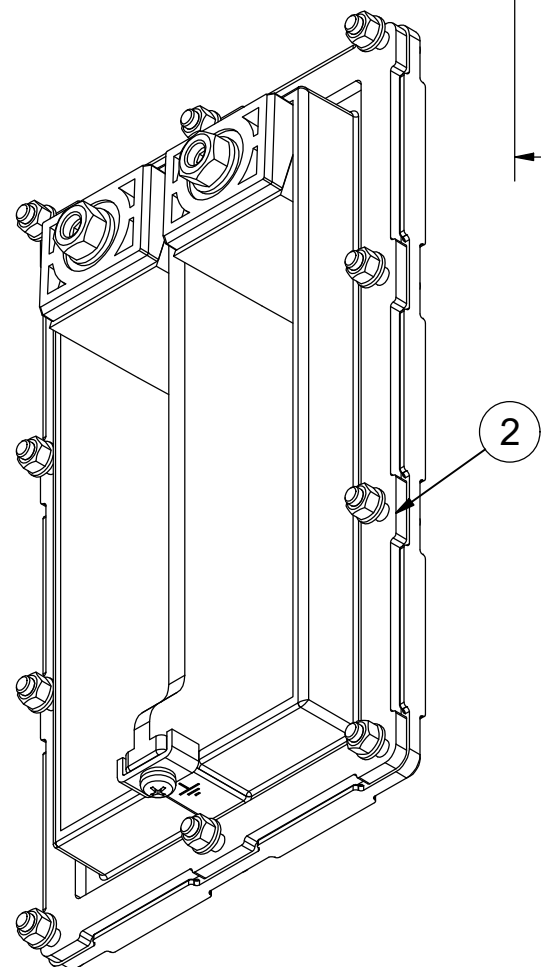
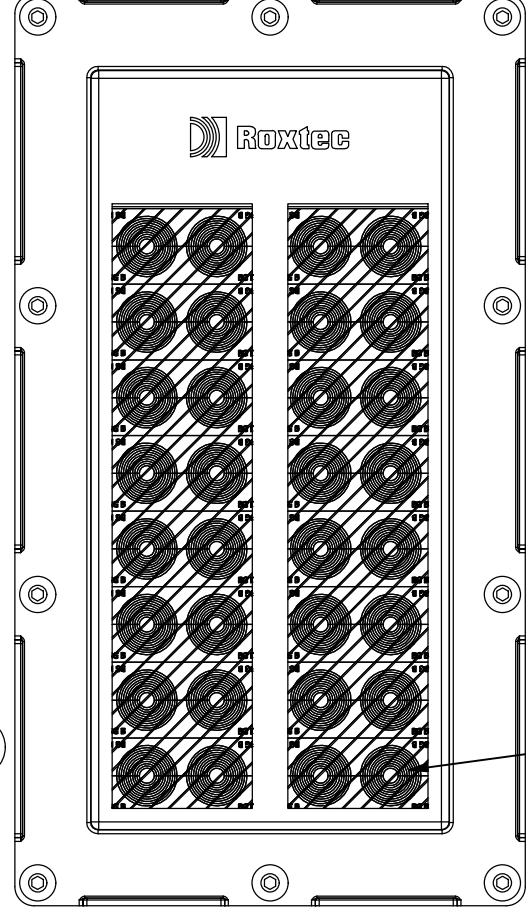
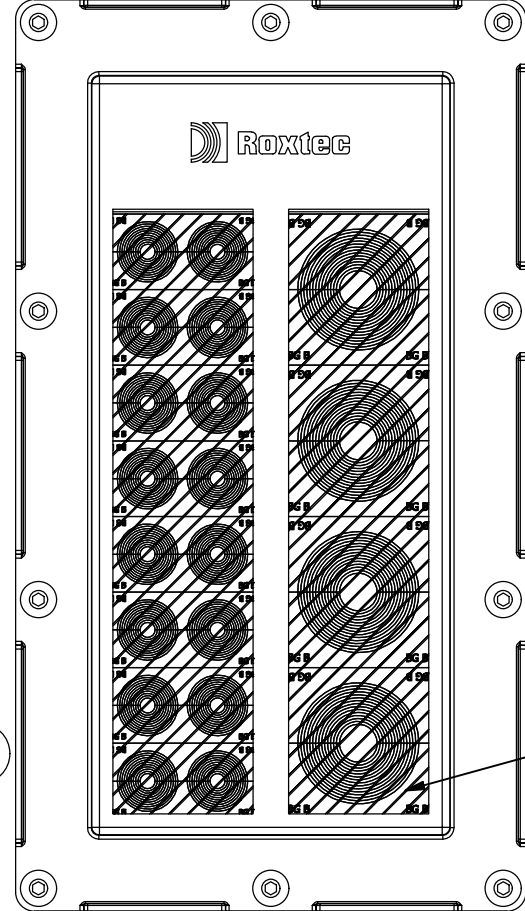
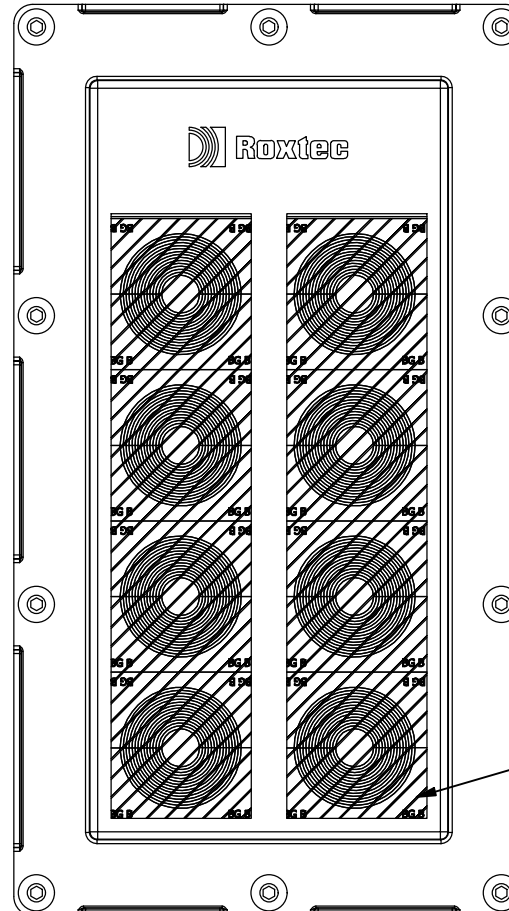
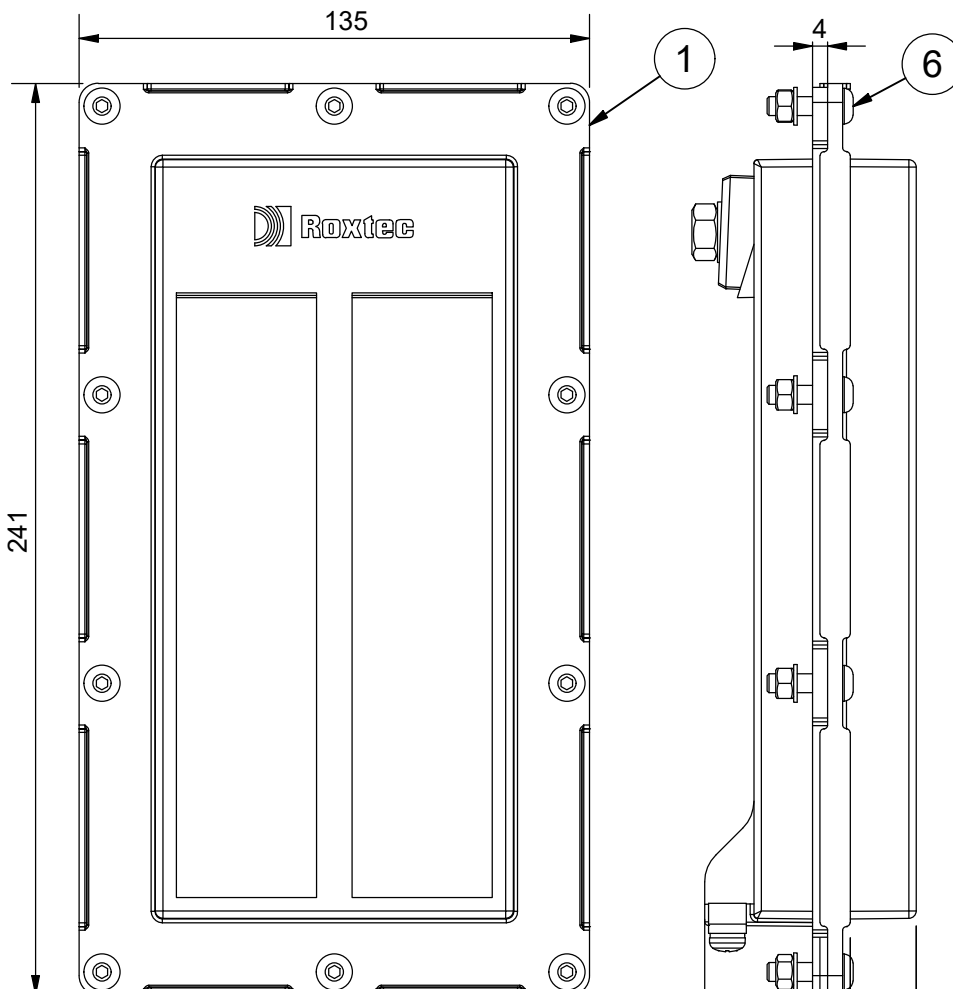

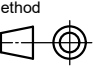


洛克赛克保留所有权利。未经授权严禁复制，使用以及向第三方泄漏。

All rights reserved. Unauthorized reproduction, use or disclosure to third parties is strictly forbidden.



6	1	INSTALLATION INSTRUCTION		0
5	1	LUBRICANT		0
4	1	MODULE KIT	ACCORDING TO TABLE	0
3	1	GASKET	EPDM CELLULAR RUBBER	0
2	10	FASTENERS	A4	0
1	1	COMSEAL 32 BG FRAME ASSEMBLY	NICKEL PLATED ALUMINUM	0
ITEM	QTY	Designation	Specification	Weight

General tolerance: ISO 2768-1/2-m/K EN ISO 13920-BF	Welded details: EN ISO 5817-B EN ISO 10042-B	General surface roughness: Ra 12.5	Designed by/date se-mikgru 2022-06-02	Latest save date 2022-06-07	Format A3	Scale	Sheet no 1 / 1	TotWeight 1,1 kg
			Title COMSEAL 32 BG KIT			Projection method 		
			www.roxtec.com			Restricted due to Information drawing		Drawing number S1580174

A		2022-06-02	se-mikgru
Rev	Type of revision	Date	Sign