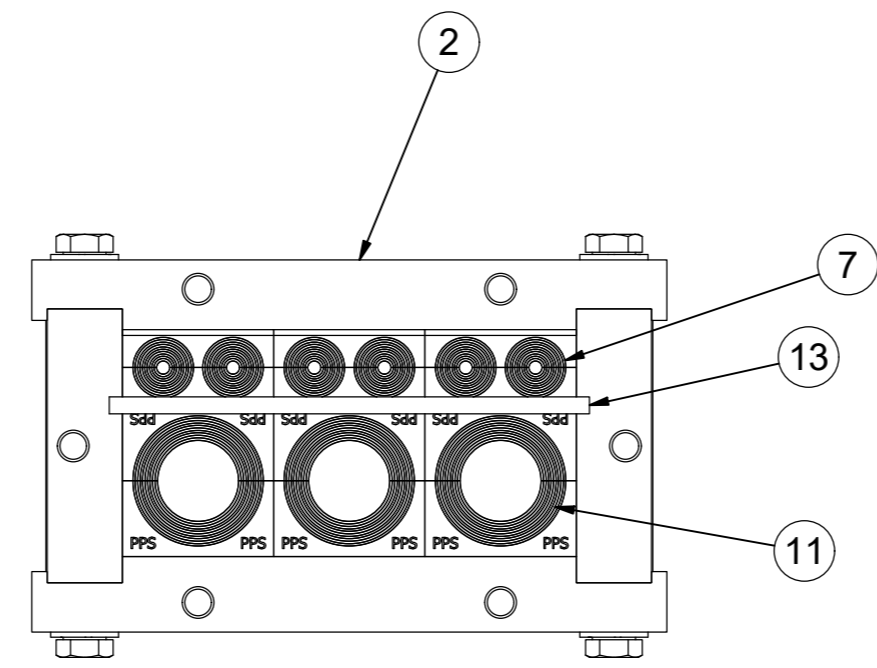
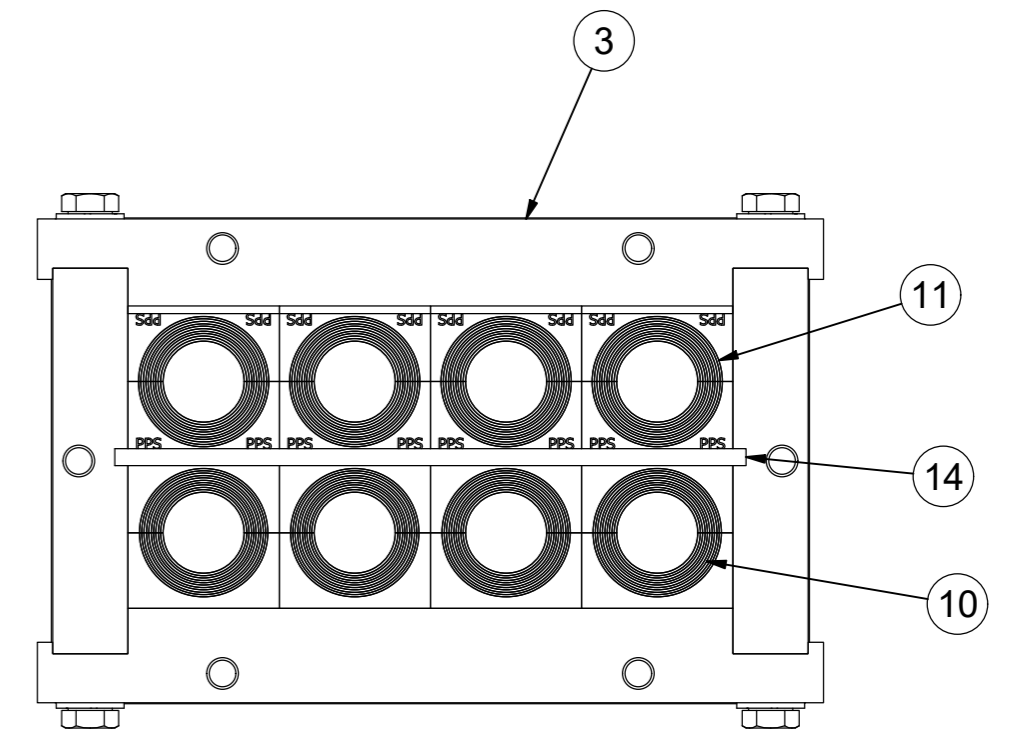


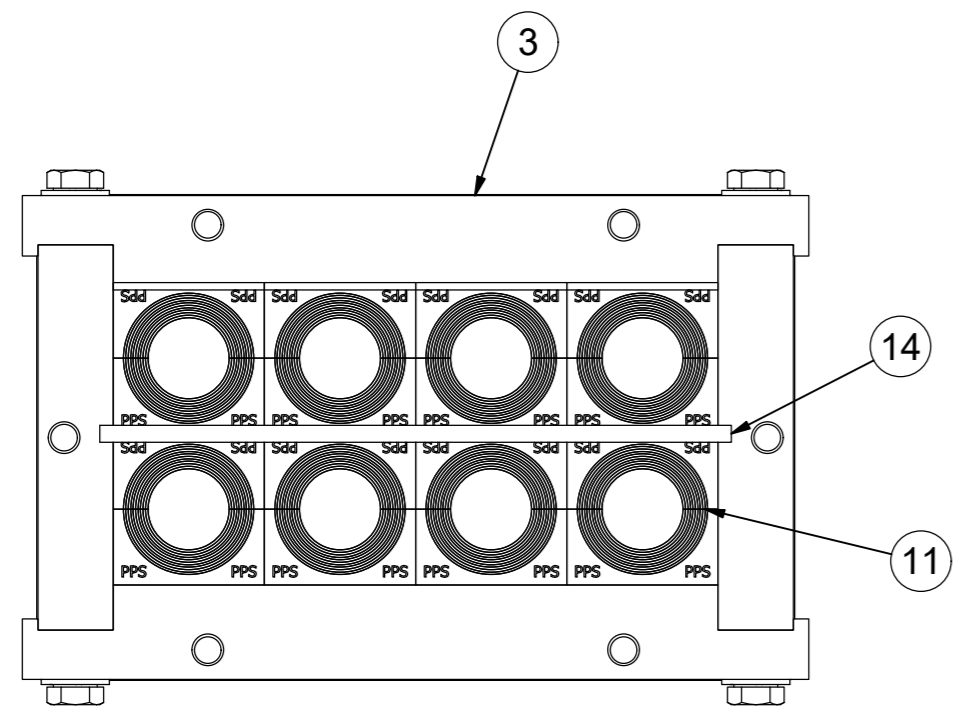
CRF 60x60/4 CM/PPS	
PCS	ITEMS
2	CM 30
2	CM 30 PPS WOC
1	STAYPLATE 60



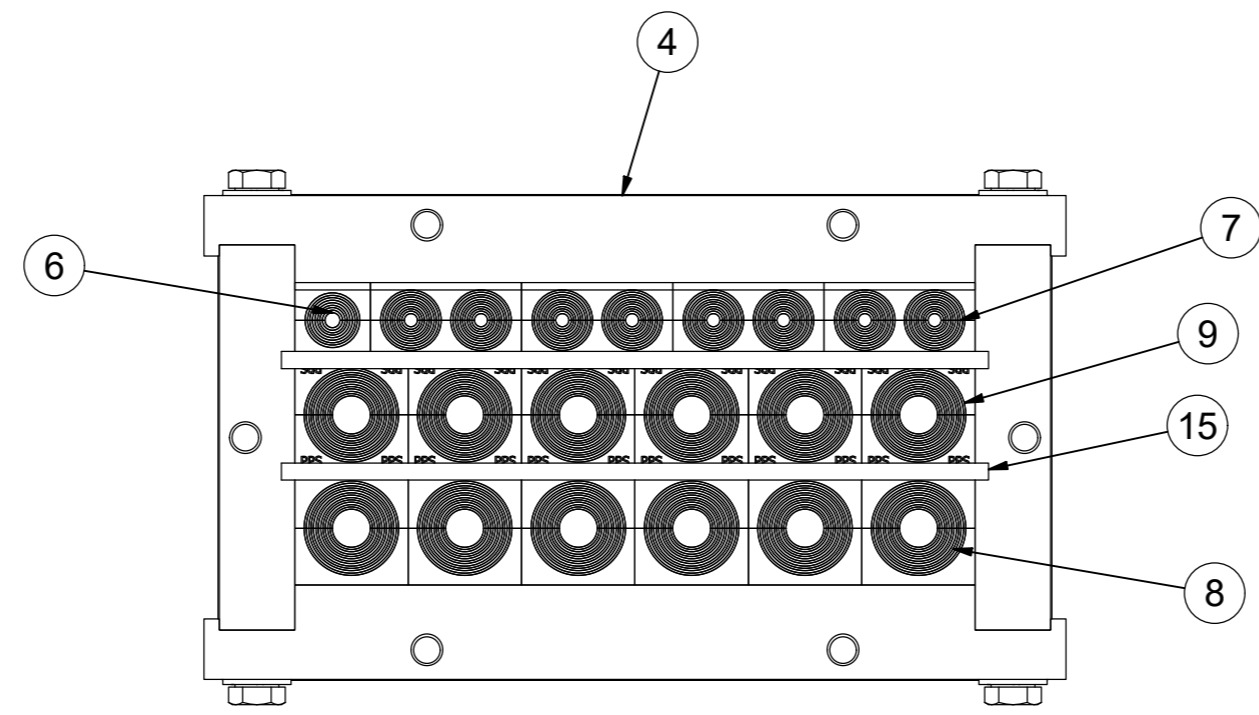
CRF 60x120/9 CM/PPS	
PCS	ITEMS
3	CM 40 PPS WOC
3	CM 20w40
1	STAYPLATE 120



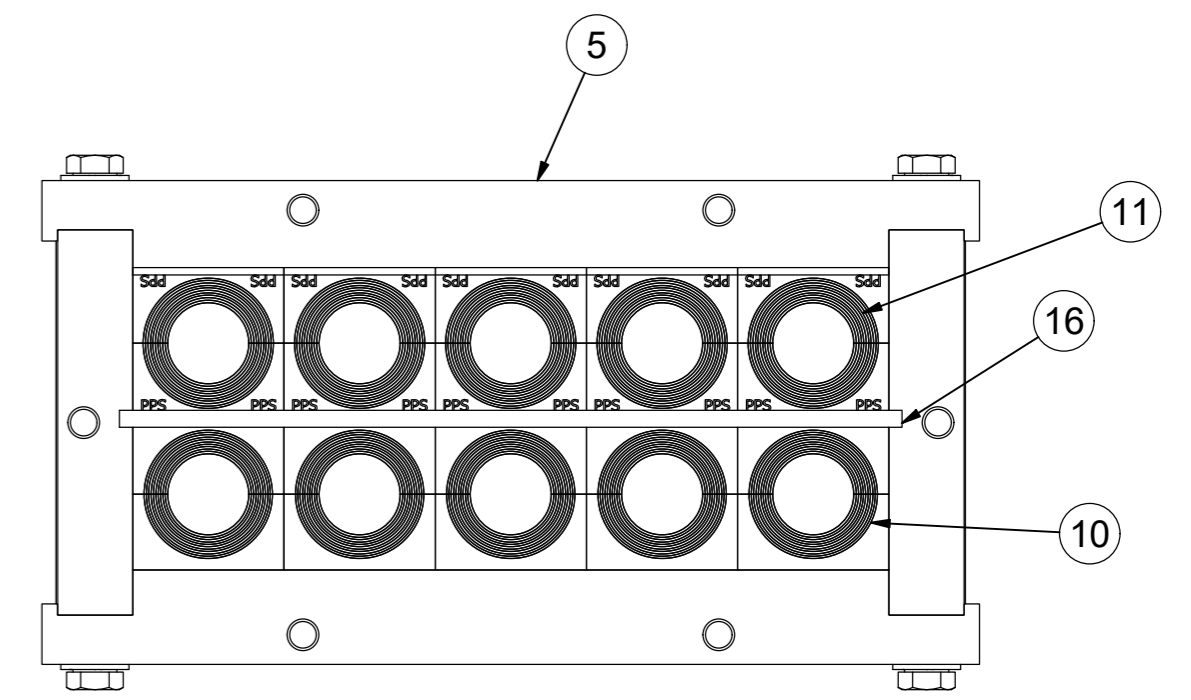
CRF 80x160/8 CM/PPS	
PCS	ITEMS
4	CM 40
4	CM 40 PPS WOC
1	STAYPLATE 160



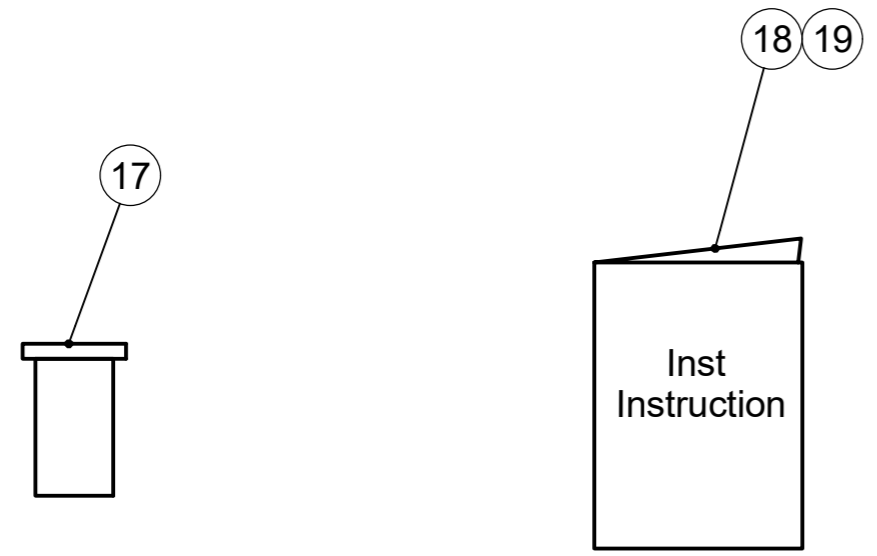
CRF 80x160/8 PPS	
PCS	ITEMS
8	CM 40 PPS WOC
1	STAYPLATE 160



CRF 80x180/20 CM/PPS	
PCS	ITEMS
6	CM 30
6	CM 30 PPS WOC
4	CM 20w40
1	CM 20
2	STAYPLATE 180



CRF 80x200/10 CM/PPS	
PCS	ITEMS
5	CM 40
5	CM 40 PPS WOC
1	STAYPLATE 200



19	1	INSTALLATION INSTRUCTION CRF						
18	1	INSTALLATION INSTRUCTION CM						
17	1	LUBRICANT BLUE						
16	-	C STAYPLATE 200	ACID PROOF STAINLESS STEEL					
15	-	C STAYPLATE 180	ACID PROOF STAINLESS STEEL					
14	-	C STAYPLATE 160	ACID PROOF STAINLESS STEEL					
13	-	C STAYPLATE 120	ACID PROOF STAINLESS STEEL					
12	-	C STAYPLATE 60	ACID PROOF STAINLESS STEEL					
11	-	CM 40 PPS WOC	RANGE Ø21.5-33.5					
10	-	CM 40	RANGE Ø21.5-34.5					
9	-	CM 30 PPS WOC	RANGE Ø10-24					
8	-	CM 30	RANGE Ø10-25					
7	-	CM 20w40	RANGE Ø0+3.5-16.5					
6	-	CM 20	RANGE Ø4-14.5					
5	1	CRF 80x200	S1578386					
4	1	CRF 80x180	S1578385					
3	1	CRF 80x160	S1578384					
2	1	CRF 60x120	S1578377					
1	1	CRF 60x60	S1578374					
ITEM	QTY	Designation	Specification	Weight				
General tolerances used for manufacturing shown in document DCC-002180		Designed by/date se-robgus 2022-04-11	Latest save date 2022-05-02	Format A2	Scale	Sheet no 1 / 1	TotWeight 0,8 kg	

Rev	Type of revision	Date	Sign
A		2022-04-11	se-robgus

Roxtec
www.roxtec.com

CRF CM/PPS KITS
Information drawing

Drawing number: S1578641

Rev: A