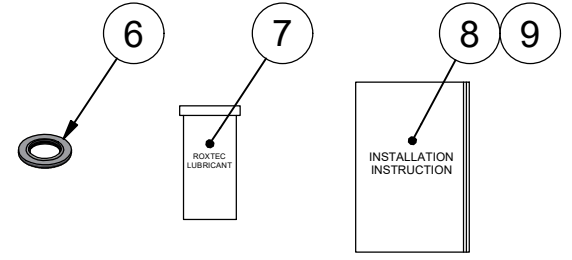
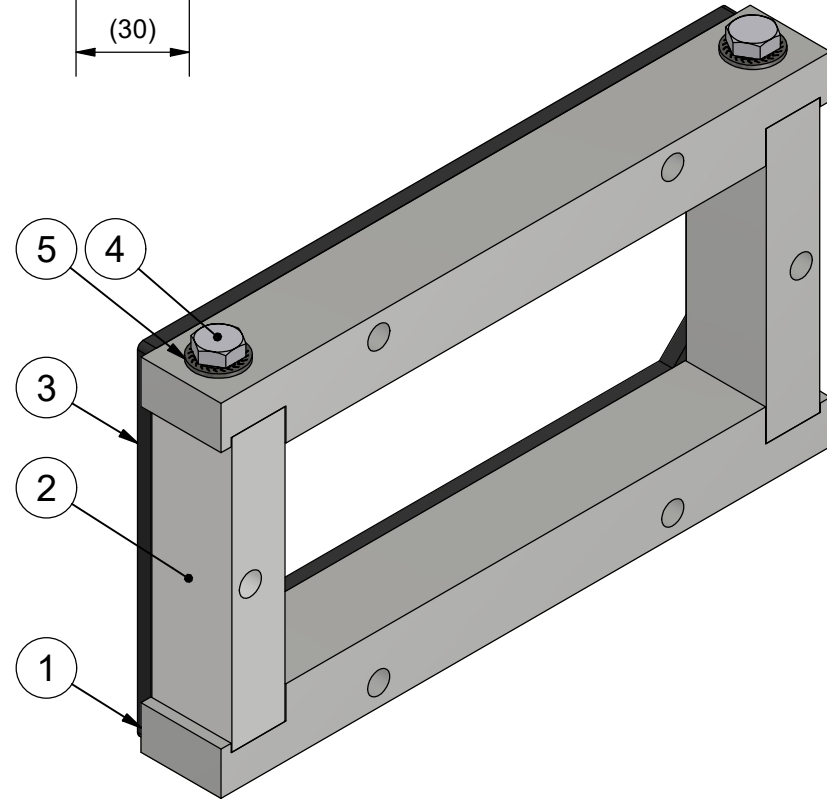
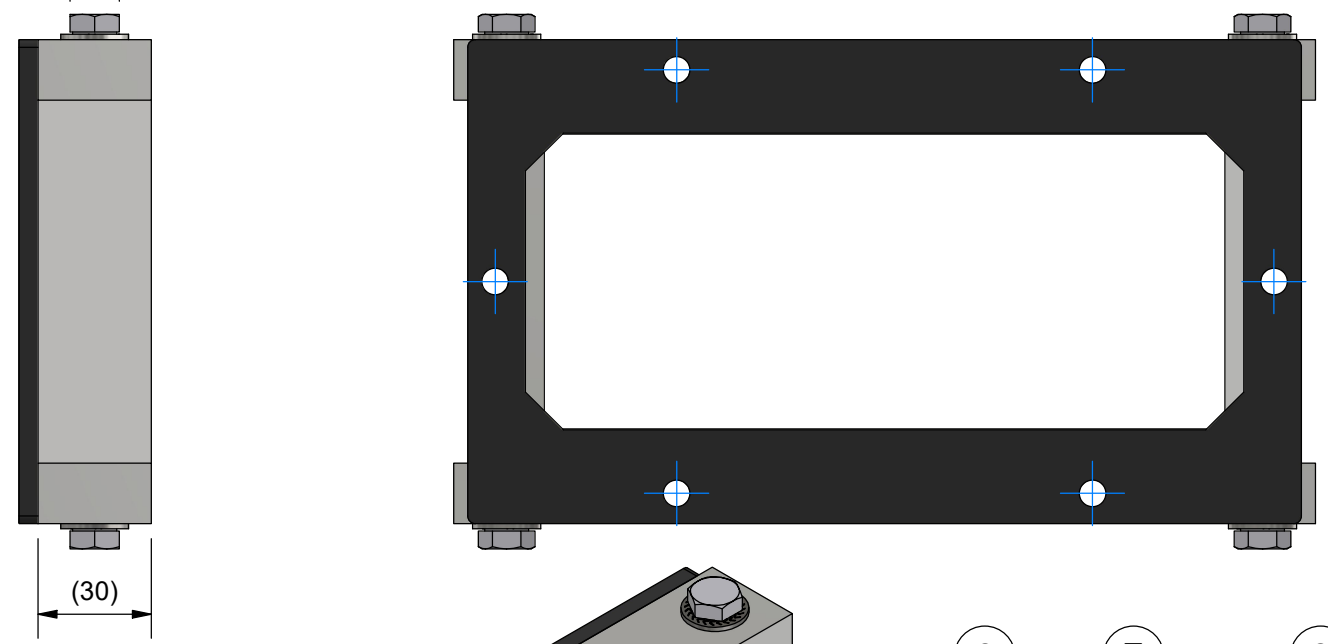
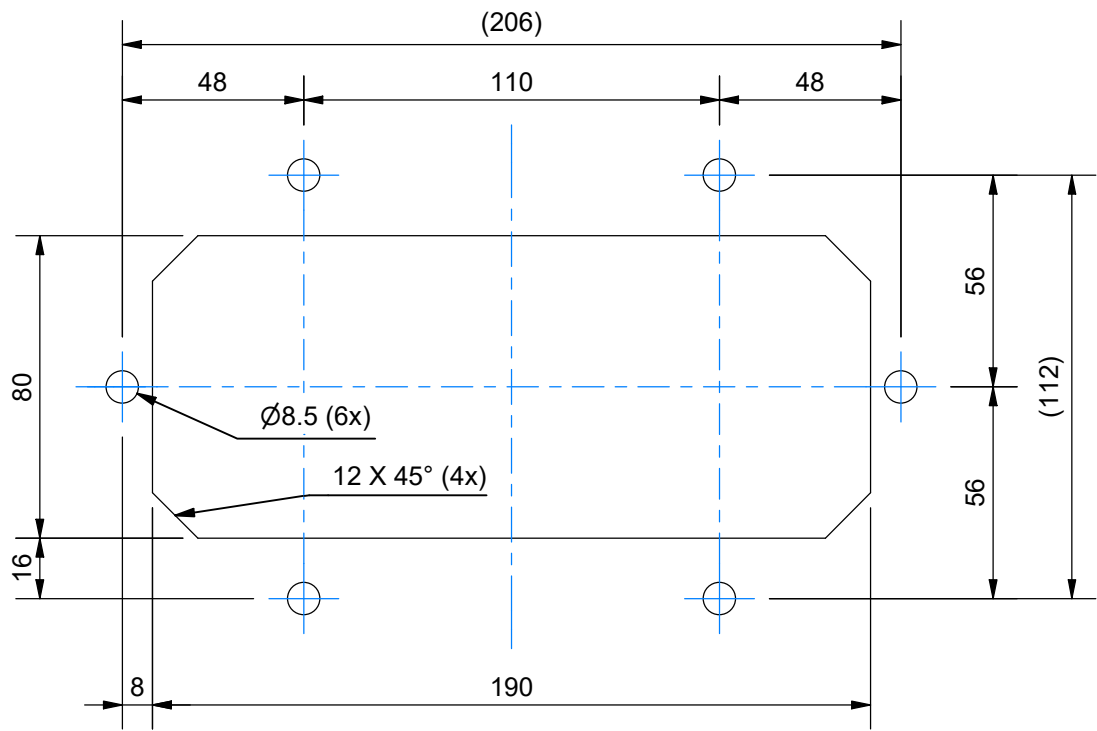



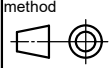
TOOL SIZE: 13



APERTURE DIMENSIONS



9	1	INSTALLATION INSTRUCTION CM		
8	1	INSTALLATION INSTRUCTION CRF		
7	1	LUBRICANT BLUE		
6	6	SEALING WASHER	M8 A4	
5	4	SERRATED WASHER	NSK-M A4 M8	
4	4	SCREW	M6S M8x40 ISO 4014 A4-70	
3	1	GASKET CRF 80x180	EPDM CELLULAR RUBBER	0
2	2	SHORT SIDE 80	ANODIZED ALUMINUM	0.2
1	2	LONG SIDE	ANODIZED ALUMINUM	0.4

ITEM	QTY	Designation	Specification				Weight
General tolerances used for manufacturing shown in document DOC-002180		Designed by/date se-robgus 2022-04-01	Latest save date 2026-01-26	Format A3	Scale 1 : 2	Sheet no 1 / 1	TotWeight 1.2 kg
 roxtec.com		Title CRF 80x180 ASSEMBLY		Projection method 		Restricted due to Information drawing	
Rev		Date		Drawing number		Rev	
E		2026-01-26		S1578385		E	

E		2026-01-26	se-marfre
Rev	Type of revision	Date	Sign