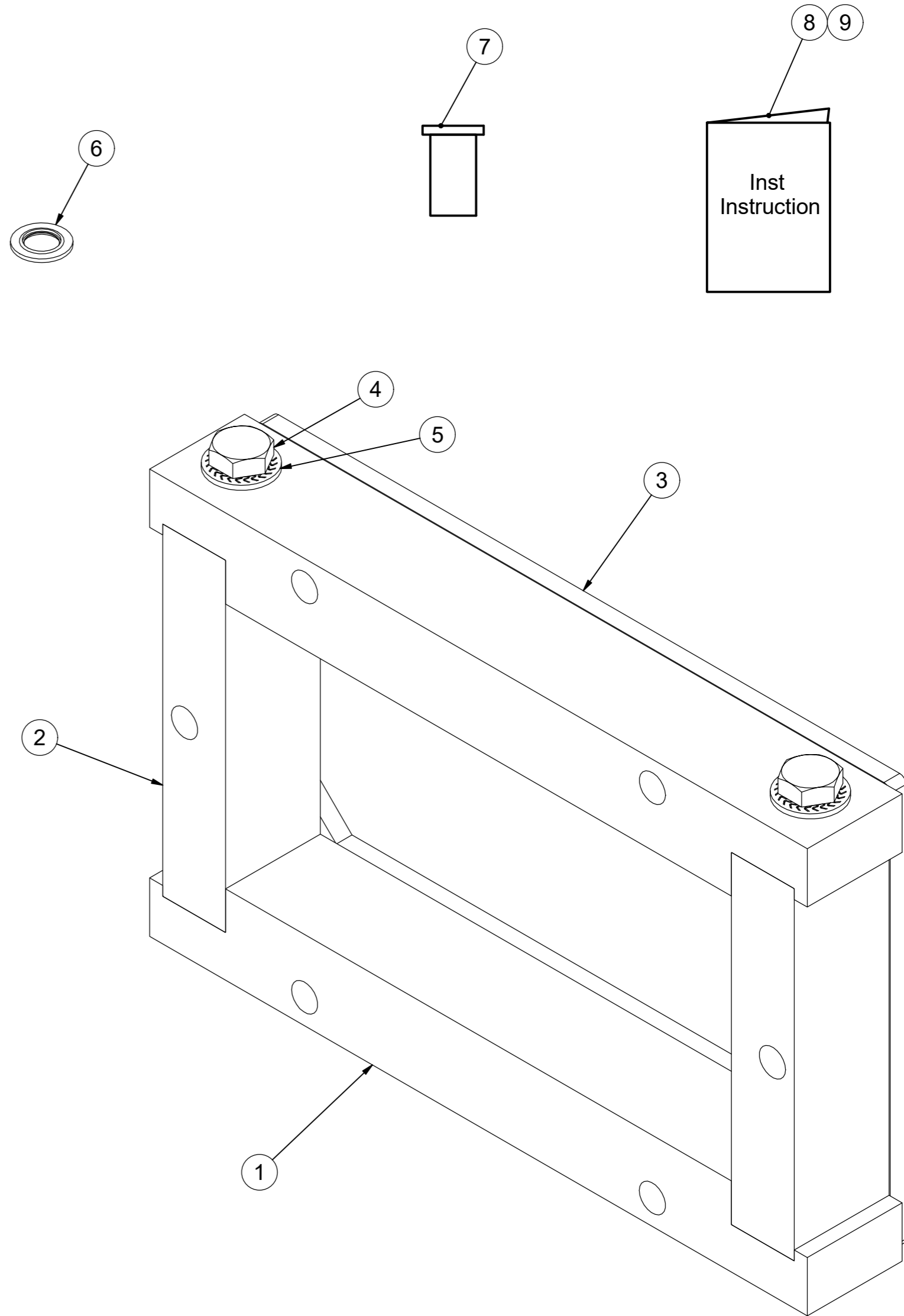
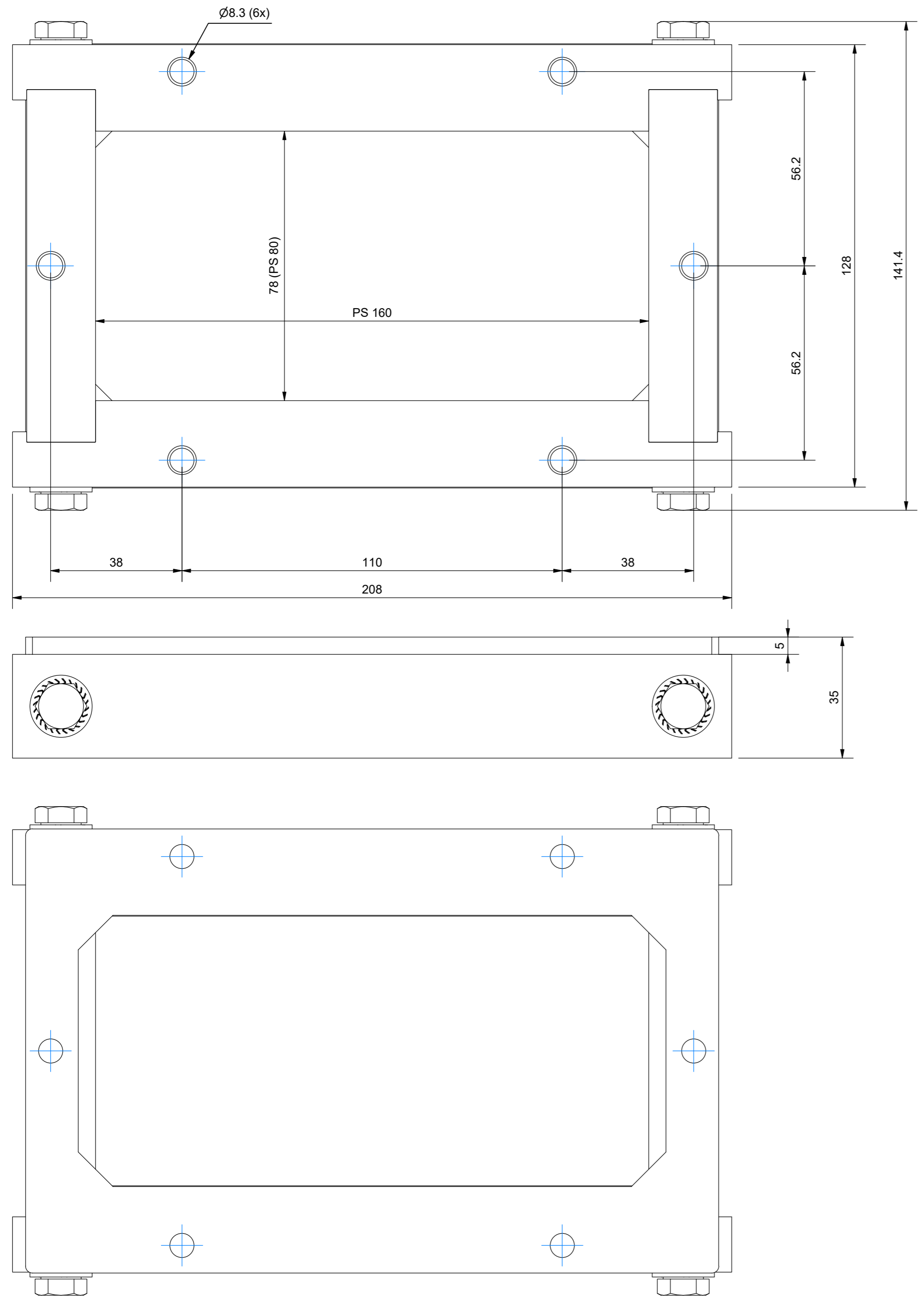


洛克赛克保留所有权利。未经授权严禁复制、使用以及向第三方泄露。



9	1	INSTALLATION INSTRUCTION CM							
8	1	INSTALLATION INSTRUCTION CRF							
7	1	LUBRICANT BLUE							
6	6	SEALING WASHER	M8 A4						
5	4	SERRATED WASHER	NSK-M A4 M8 (192137)						
4	4	SCREW	M6S M8x40 ISO 4014 A4-70						
3	1	GASKET PS 160x60	CELLULAR RUBBER						0.1
2	2	SHORT SIDE 60 LS 25	ALUMINIUM						0.2
1	2	LONG SIDE 160	ALUMINIUM						0.4
ITEM	QTY	Designation	Specification				Weight		
General tolerances used for manufacturing shown in document DOC-002180		Designed by/date se-robgus 2022-04-01	Latest save date 2022-04-27	Format A2	Scale	Sheet no 1 / 1	TotWeight 1.2 kg		
		Title CRF 80x160 ASSEMBLY		Restricted due to Information drawing		Drawing number S1578384		Projection method B	
www.roxtec.com									

B	COMPONENT REMOVED.	2022-04-27	se-robgus
Rev	Type of revision	Date	Sign

Information drawings show general design and nominal dimensions if not else stated

Rev 2.0 All rights reserved. Unauthorized reproduction, use or disclosure to third parties is strictly forbidden.