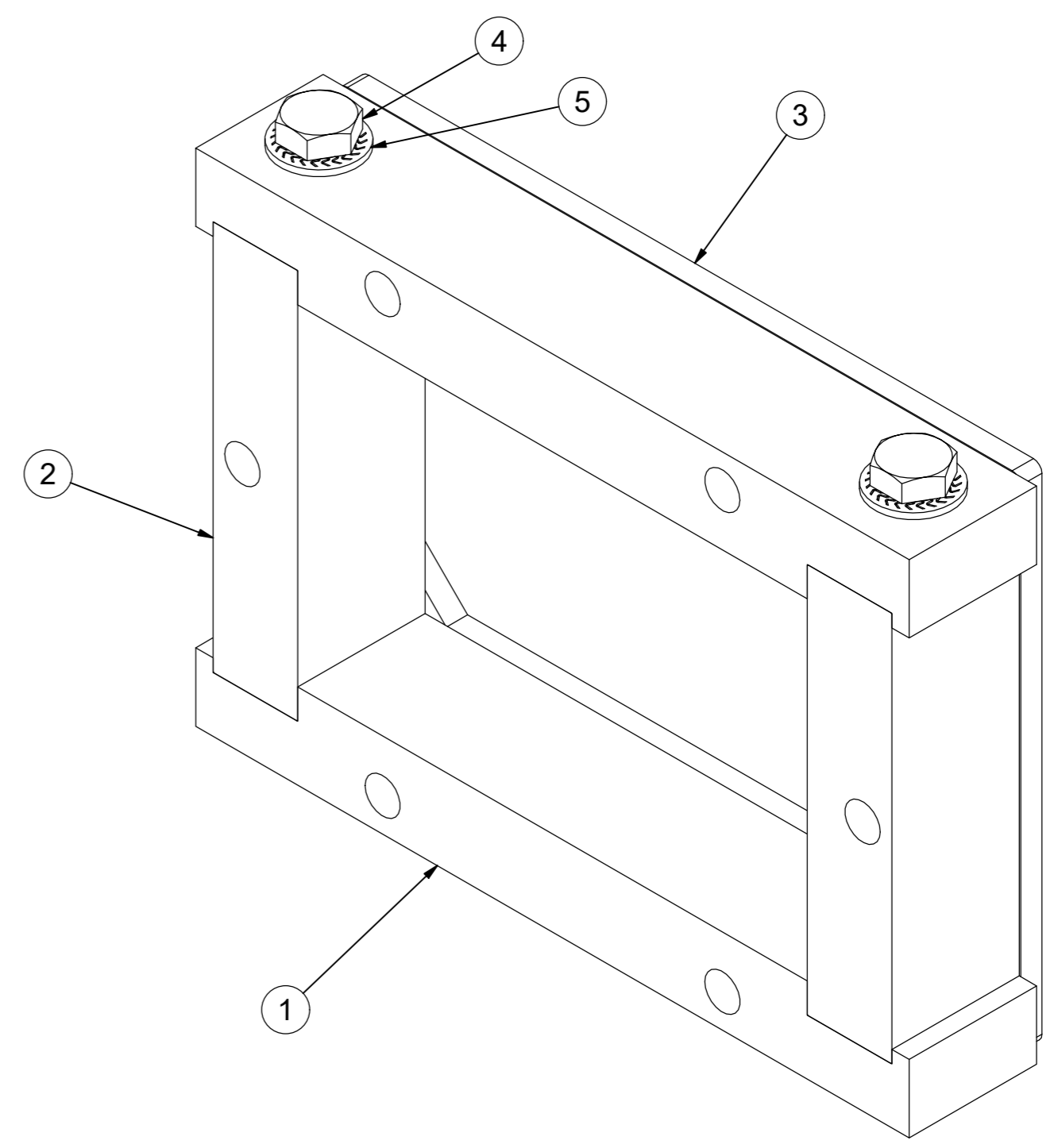
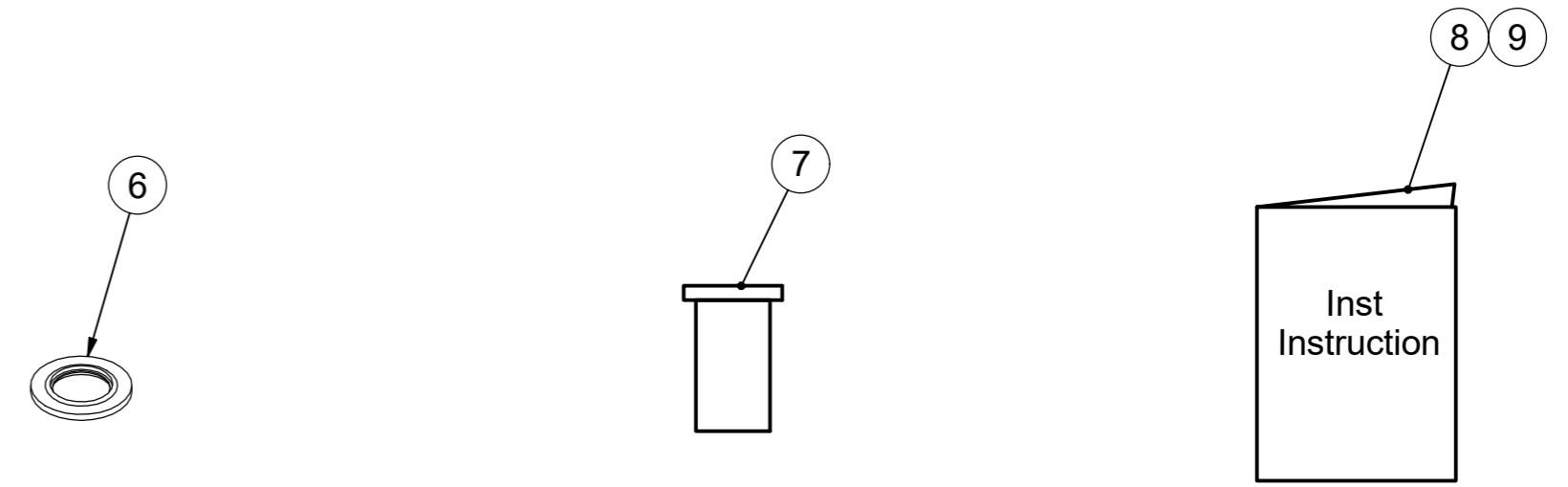
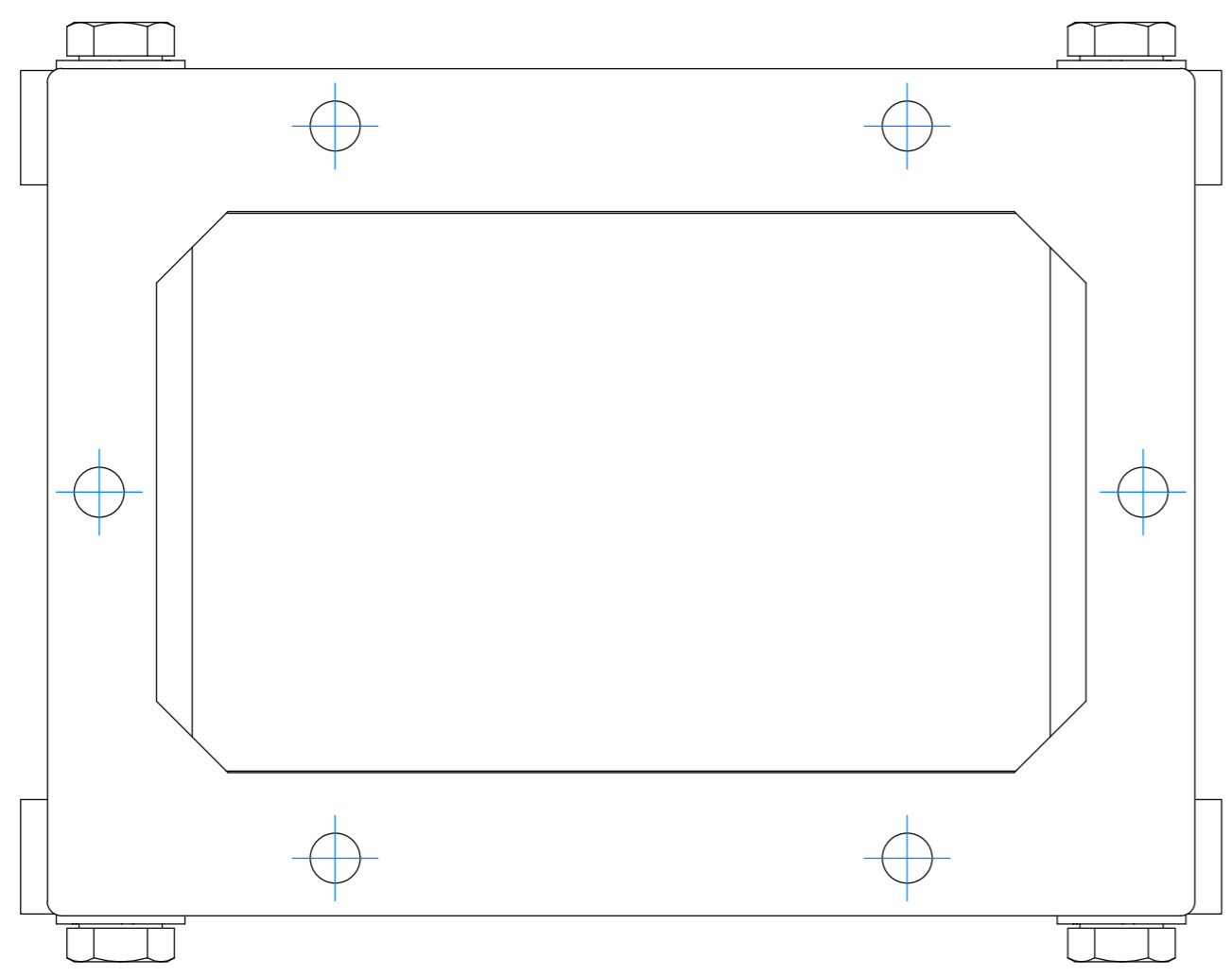
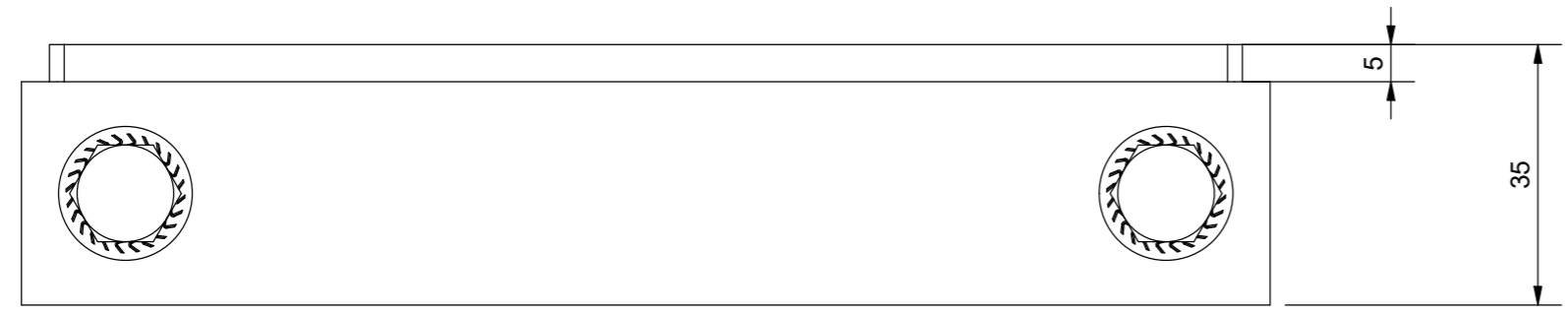
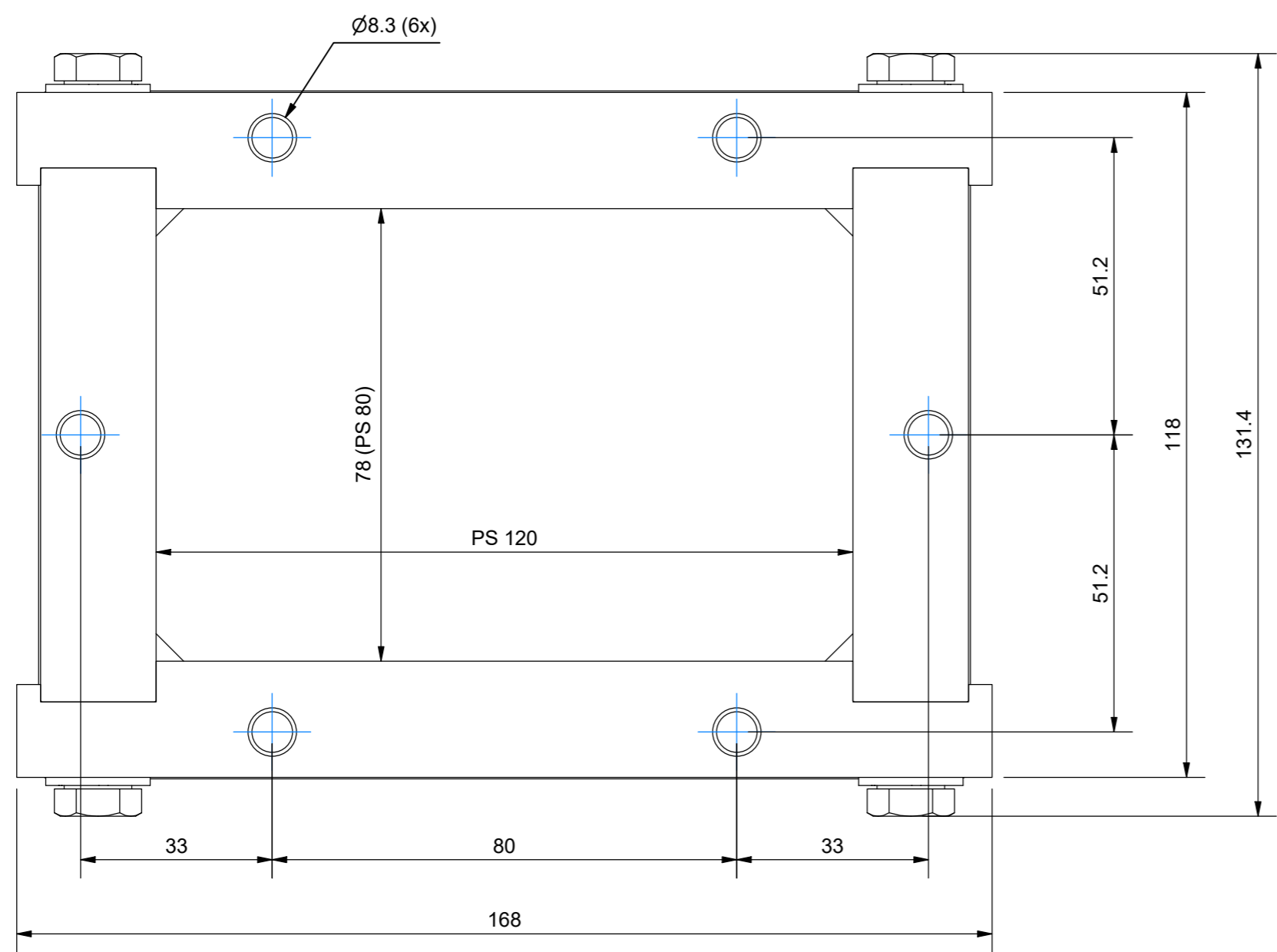


洛克赛克保留所有权利。未经授权严禁复制、使用以及向第三方泄露。

Rev 2.0 All rights reserved. Unauthorized reproduction, use or disclosure to third parties is strictly forbidden.



9	1	INSTALLATION INSTRUCTION CM							
8	1	INSTALLATION INSTRUCTION CRF							
7	1	LUBRICANT BLUE							
6	6	SEALING WASHER	M8 A4						
5	4	SERRATED WASHER	NSK-M A4 M8 (192137)						
4	4	SCREW	M6S M8x40 ISO 4014 A4-70						
3	1	GASKET PS 160x60	CELLULAR RUBBER						
2	2	SHORT SIDE 60 LS25	ALUMINIUM						0.1
1	2	LONG SIDE 120	ALUMINIUM						0.2
ITEM	QTY	Designation	Specification				Weight		
General tolerances used for manufacturing shown in document DCC-002180		Designed by/date se-robgus 2022-04-01	Latest save date 2022-04-27	Format A2	Scale	Sheet no 1 / 1	TotWeight 0.9 kg		
		Title CRF 80x120 ASSEMBLY		Restricted due to Information drawing		Drawing number S1578382		Rev B	
www.roxtec.com									

B	COMPONENT REMOVED.	2022-04-27	se-robgus
Rev	Type of revision	Date	Sign

Information drawings show general design and nominal dimensions if not else stated