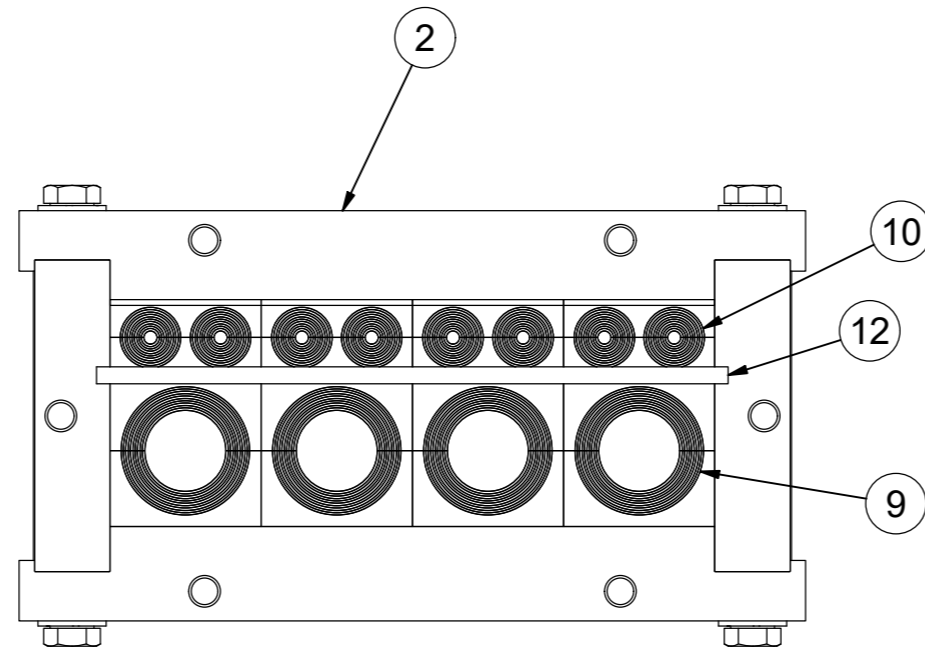
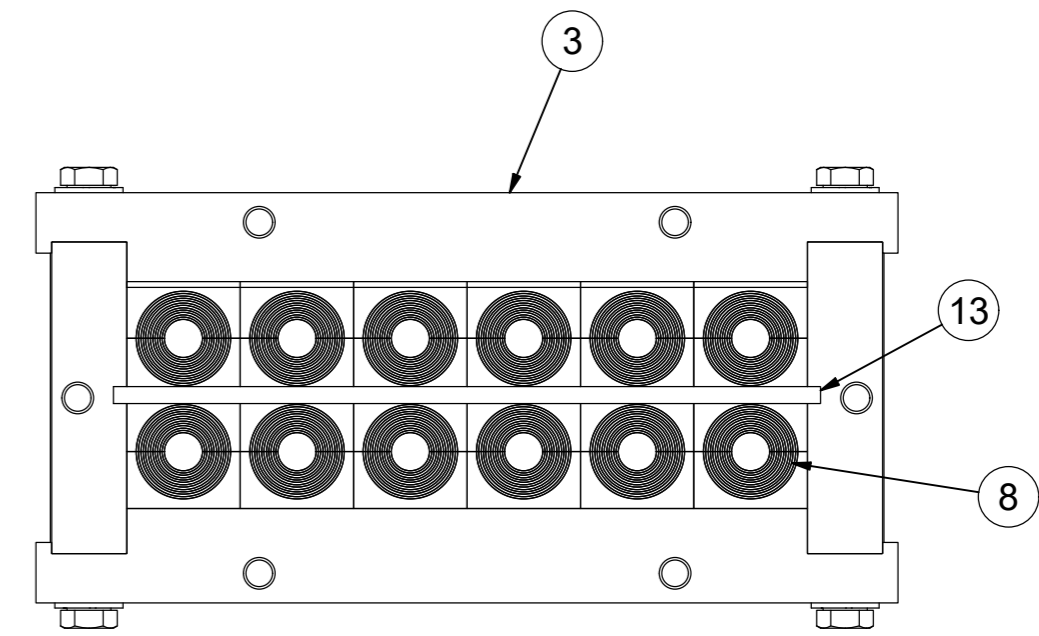


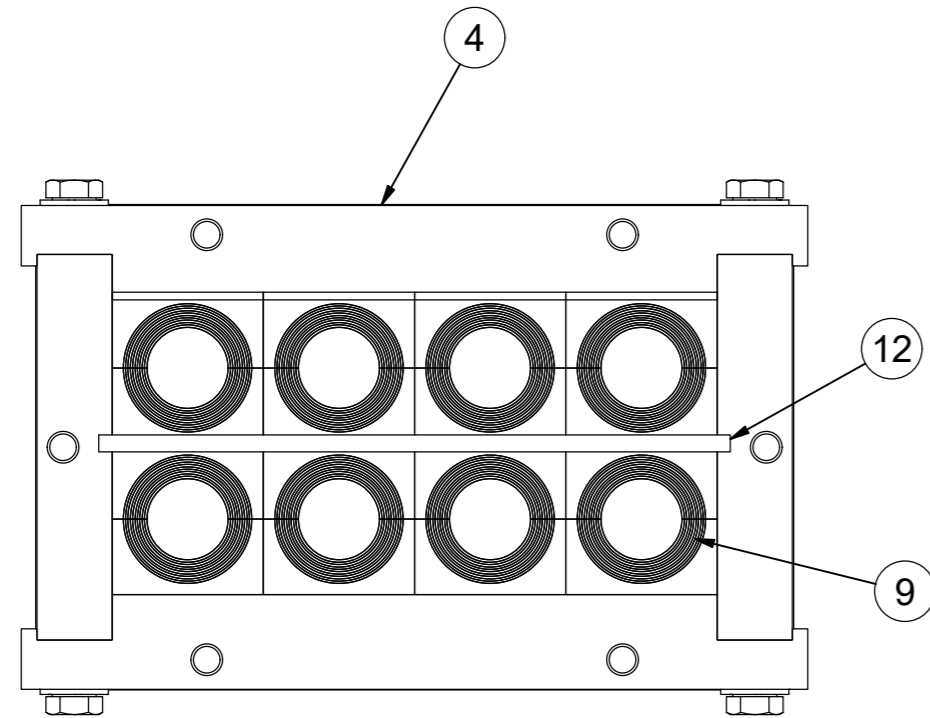
CRF 60x60/4 CM	
PCS	ITEMS
4	CM 30
1	STAYPLATE 60



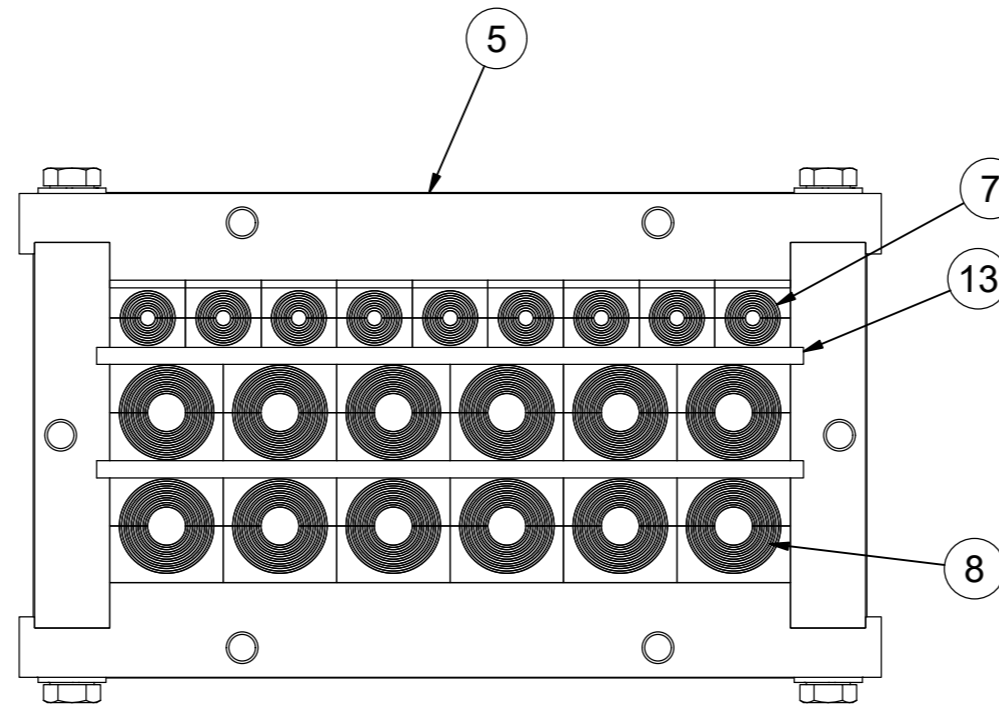
CRF 60x160/12 CM	
PCS	ITEMS
4	CM 40
4	CM 20w40
1	STAYPLATE 160



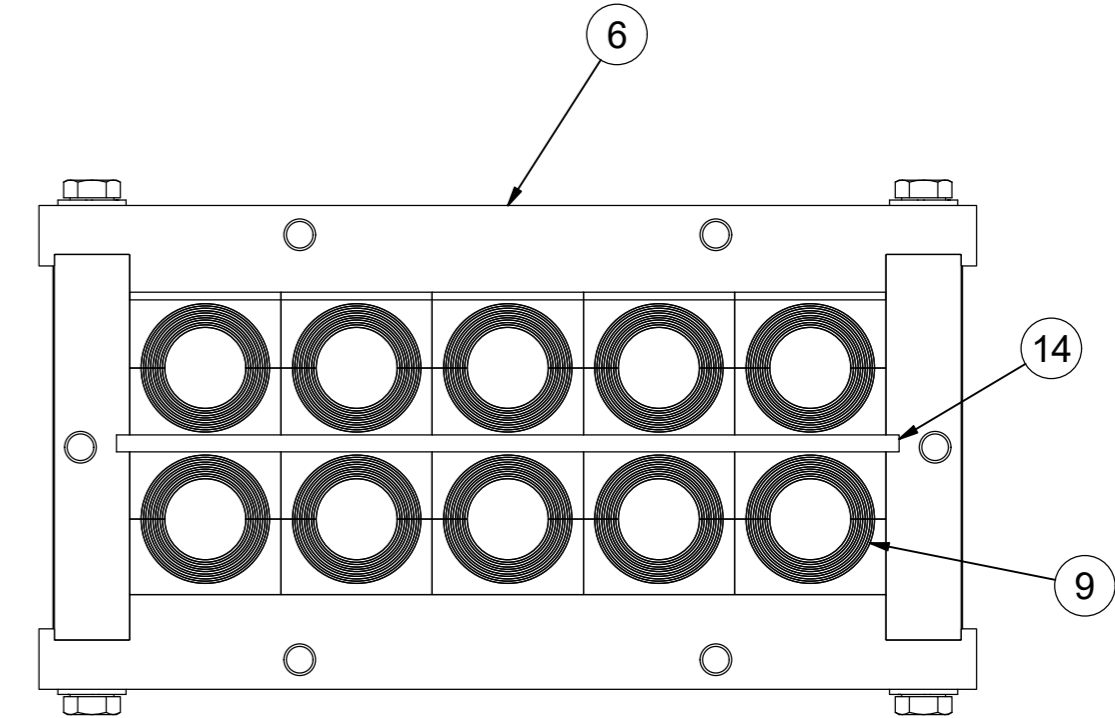
CRF 60x180/12 CM	
PCS	ITEMS
12	CM 30
1	STAYPLATE 180



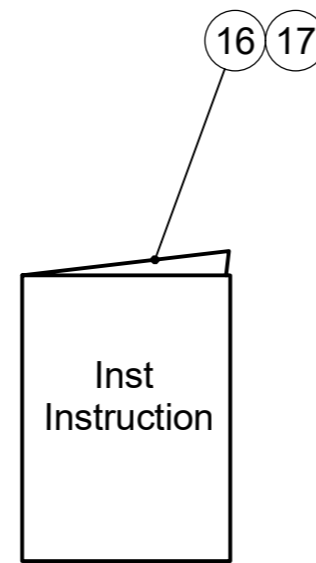
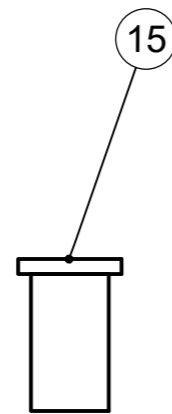
CRF 80x160/8 CM	
PCS	ITEMS
8	CM 40
1	STAYPLATE 160



CRF 80x180/21 CM	
PCS	ITEMS
12	CM 30
9	CM 20
2	STAYPLATE 180



CRF 80x200/10 CM	
PCS	ITEMS
10	CM 40
1	STAYPLATE 200



17	1	INSTALLATION INSTRUCTION CRF							
16	1	INSTALLATION INSTRUCTION CM							
15	1	LUBRICANT BLUE							
14	-	C STAYPLATE 200	ACID PROOF STAINLESS STEEL						
13	-	C STAYPLATE 180	ACID PROOF STAINLESS STEEL						
12	-	C STAYPLATE 160	ACID PROOF STAINLESS STEEL						
11	-	C STAYPLATE 60	ACID PROOF STAINLESS STEEL						
10	-	CM 20w40	RANGE Ø0+3.5-16.5						
9	-	CM 40	RANGE Ø0+21.5-34.5						
8	-	CM 30	RANGE Ø0+10-25						
7	-	CM 20	RANGE Ø0+4-14.5						
6	1	CRF 80x200	S1578386						
5	1	CRF 80x180	S1578385						
4	1	CRF 80x160	S1578384						
3	1	CRF 60x180	S1578379						
2	1	CRF 60x160	S1578378						
1	1	CRF 60x60	S1578374						

ITEM	QTY	Designation	Specification	Weight
General tolerances used for manufacturing shown in document DOC-002180		Designed by/date se-robgus 2022-03-25	Latest save date 2022-04-11	Format A2
Title CRF CM KITS		Scale 1 / 1	Sheet no 1 / 1	TotWeight 0,8 kg
www.roxtec.com		Restricted due to Information drawing	Drawing number S1578033	Rev A

A		2022-03-25	se-robgus
Rev	Type of revision	Date	Sign