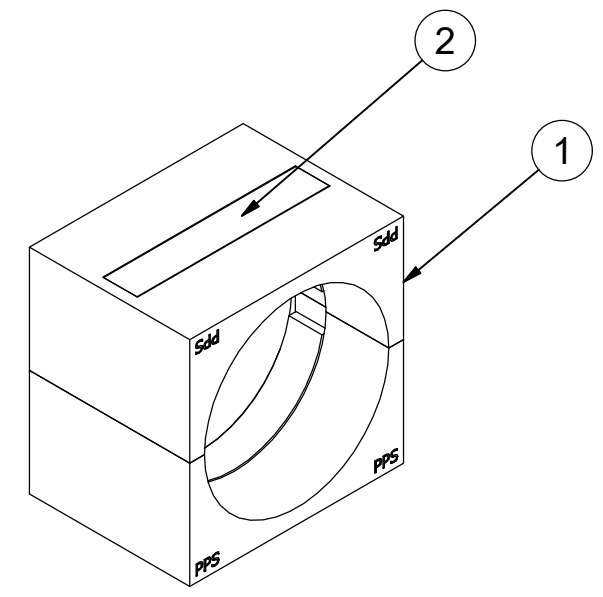
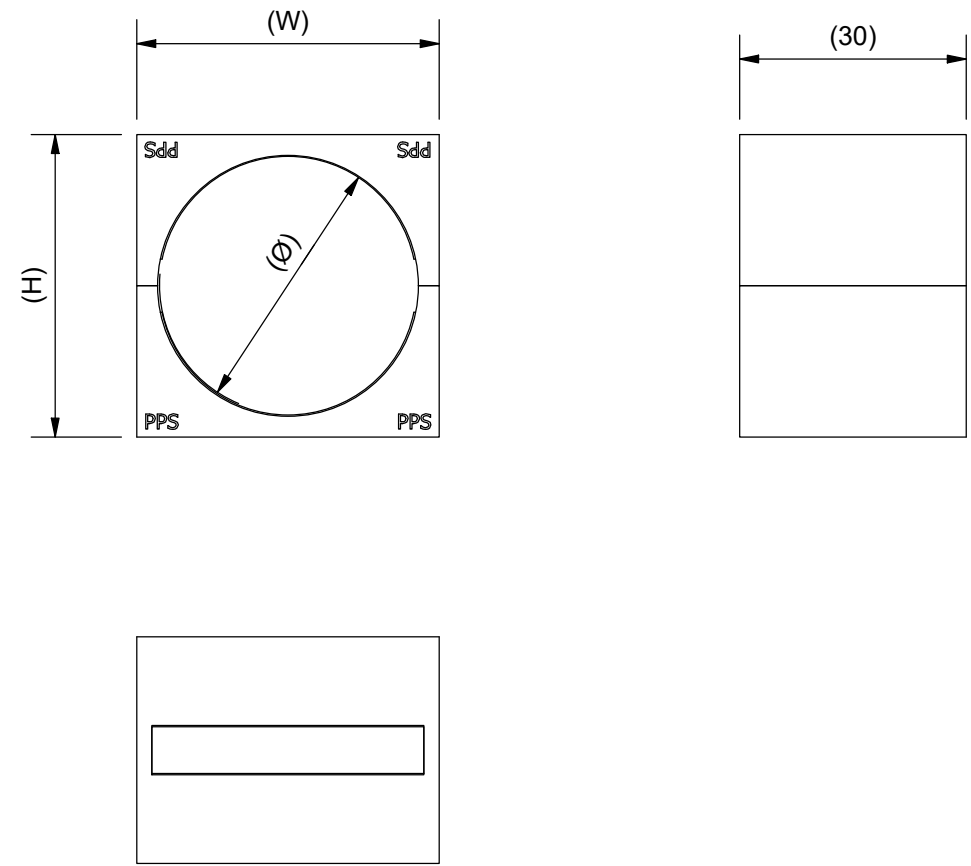



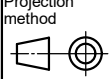
洛克赛克保留所有权利。未经授权严禁复制，使用以及向第三方泄漏。

All rights reserved. Unauthorized reproduction, use or disclosure to third parties is strictly forbidden.

TYPE	H(mm)	W(mm)	Ø(mm)
CRF 20/10 PPS WOC	20	20	10
CRF 20/13 PPS WOC	20	20	13
CRF 30/15.8 PPS WOC	30	30	15.8
CRF 30/21.2 PPS WOC	30	30	21.2
CRF 40/21.2 PPS WOC	40	40	21.2
CRF 40/28.5 PPS WOC	40	40	28.5
CRF 40/34.5 PPS WOC	40	40	34.5
CRF 60/34.5 PPS WOC	60	60	34.5
CRF 60/42.5 PPS WOC	60	60	42.5
CRF 60/54.5 PPS WOC	60	60	54.5



A		2022-03-21	se-henols
Rev	Type of revision	Date	Sign

2	2	INTUMESCENT MATERIAL															
1	2	RUBBER	ROXYLON HEFR														
ITEM	QTY	Designation			Specification				Weight								
General tolerance: ISO 2768-1/2-m/K EN ISO 13920-BF		Welded details: EN ISO 5817-B EN ISO 10042-B		General surface roughness: Ra 12.5		Designed by/date se-henols 2022-03-21		Latest save date 2022-03-22		Format A3		Scale		Sheet no 1 / 1		TotWeight -	
 www.roxtec.com		Title CRF PPS WOC MODULES								Projection method 							
		Restricted due to Information drawing				Drawing number S1577718				Rev A							