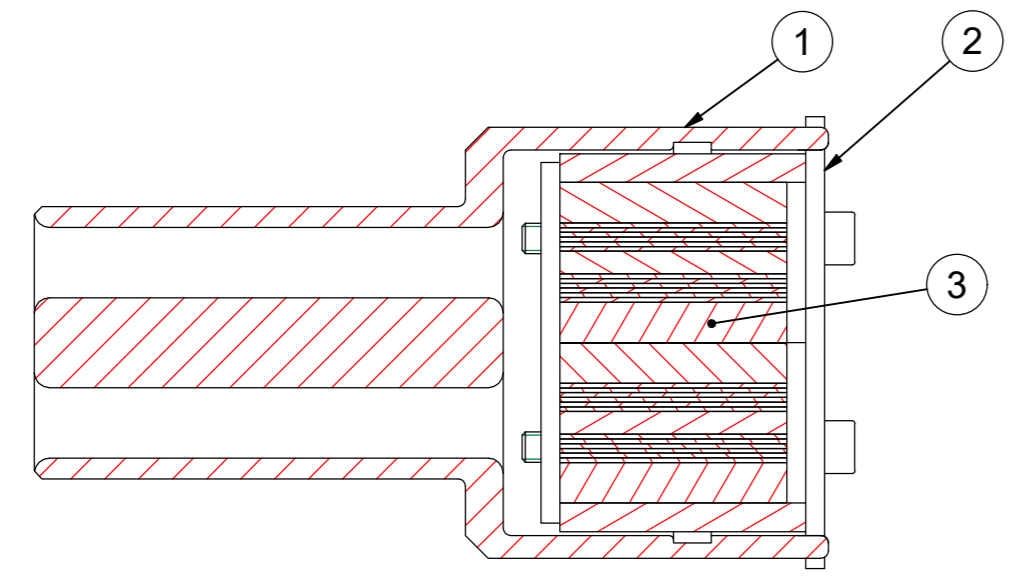
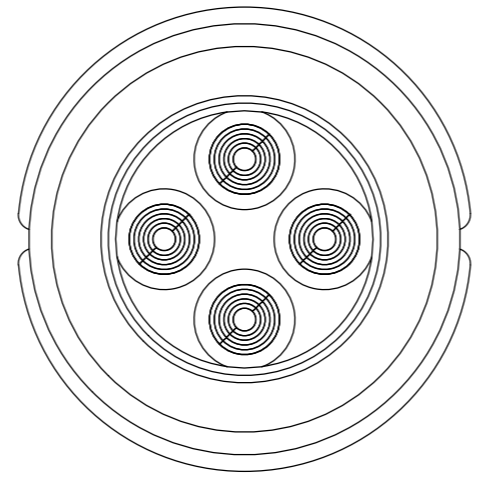
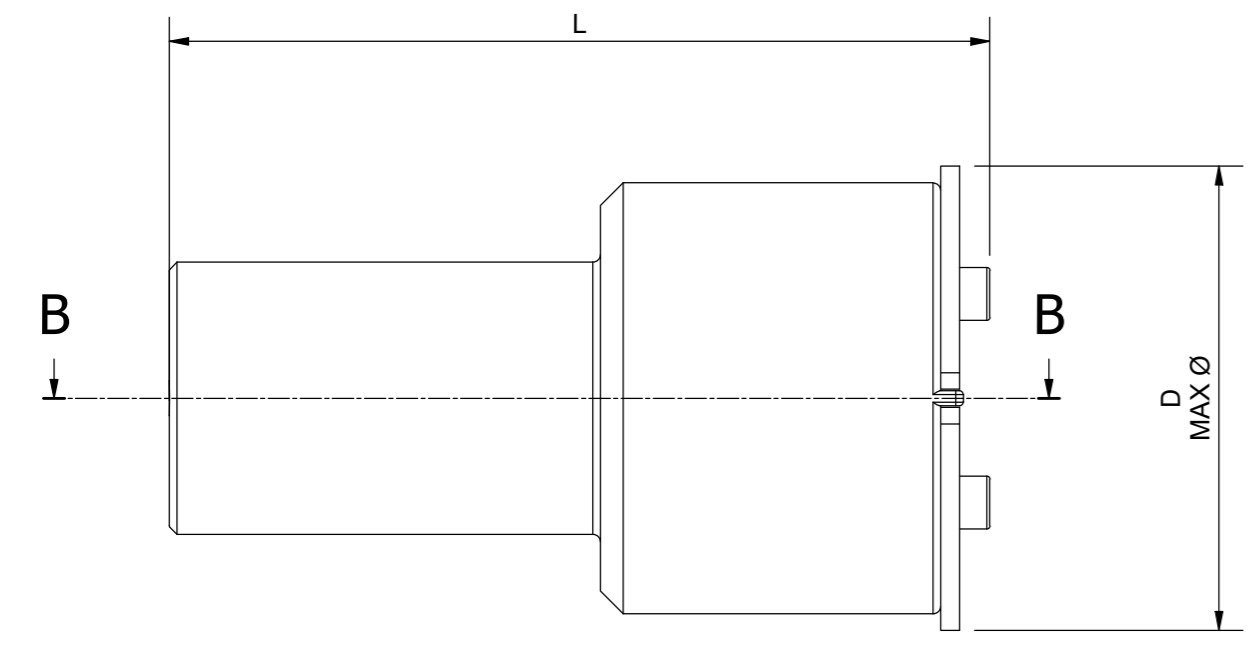


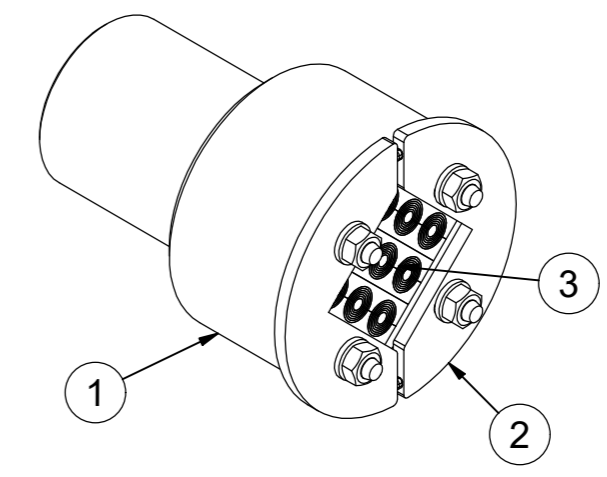
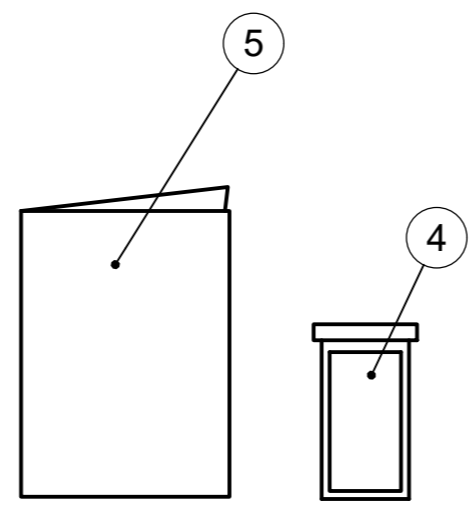
KIT	WALL APERTURE (mm)	CABLE RANGE* Ø (mm)	CABLE QTY	MIN. 100 dB ATTENUATION AT FREQUENCY (GHz)	MODULE TYPE	N MODULE QTY	SEAL TYPE	L (mm)	D (mm)
WGS ES 18GHz/1 W	14-25	3.6-5	1	18	N/A	N/A	RS 25	87	32
WGS ES 10GHz/1 W	14-25	3.6-9	1	10	N/A	N/A	RS 25	104	32
WGS ES 18GHz/4 W	34-48	3-5	4	18	CM 15	4	C RO 50	92	60
WGS ES 10GHz/4 W	37-48	3-9	4	10	CM 15	4	C RO 50	109	60
WGS ES 1GHz/4 W	49-68	3.5-15	4	1	CM 20w40	2	C RO 70	95	85
WGS ES 6GHz/4 W	49-68	3.5-14	4	6	CM 20w40	2	C RO 70	130	85
WGS ES 10GHz/9 W	51-68	3.5-9	9	10	CM 13.3w40	3	C RO 70	120	85

*NOTE: CABLE RANGE DIFFERS FROM STANDARD MODULE RANGE

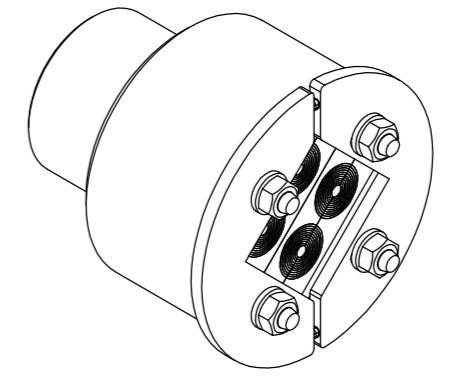


B-B (1:1)

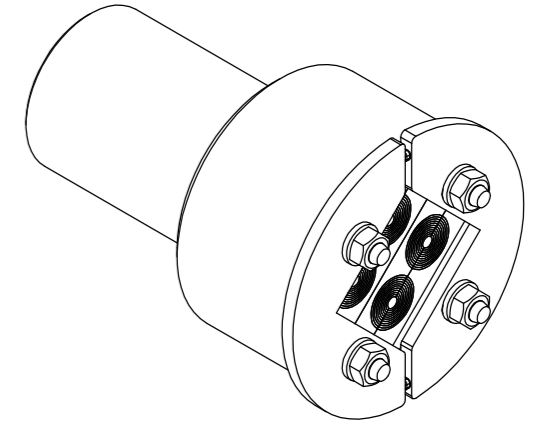
DIMENSION VIEW
WGS ES 10GHz/4 W



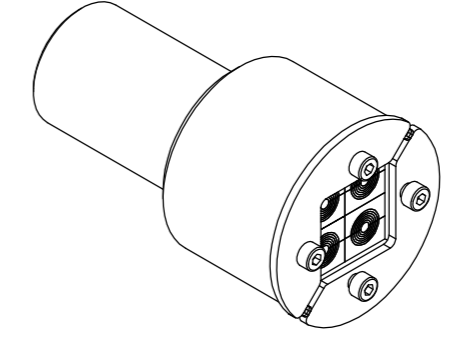
WGS ES 10GHz/9



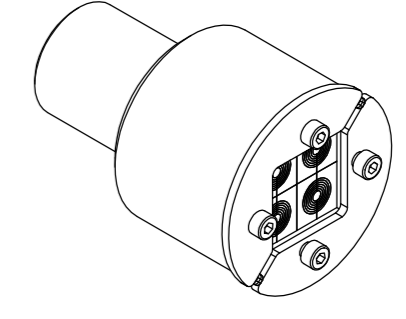
WGS ES 1GHz/4



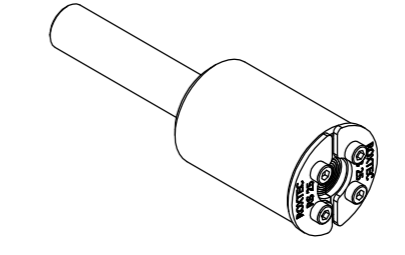
WGS ES 6GHz/4



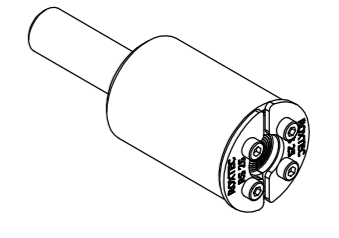
WGS ES 10GHz/4



WGS ES 18GHz/4



WGS ES 10GHz/1



WGS ES 18GHz/1

5	1	INSTALLATION INSTRUCTION							
4	1	LUBRICANT							
3	N	SEALING MODULES						ROXYLON	
2	1	SEALING FRAME						ROXYLON / STAINLESS STEEL	
1	1	WGS ES SLEEVE WELDED						STAINLESS STEEL	
ITEM	QTY	Designation	Specification				Weight		
General tolerances used for manufacturing shown in document DDC-002180		Designed by/date se-danstr 2021-12-02	Latest save date 2021-12-17	Format A2	Scale	Sheet no 1 / 1	TotWeight 0,9 kg		
Title Roxtec WGS ES WELDED ASSEMBLY		Restricted due to Information drawing		Drawing number S1574166		Rev A	Projection method 		
www.roxtec.com									

Rev	Type of revision	Date	Sign
A		2021-12-02	se-danstr