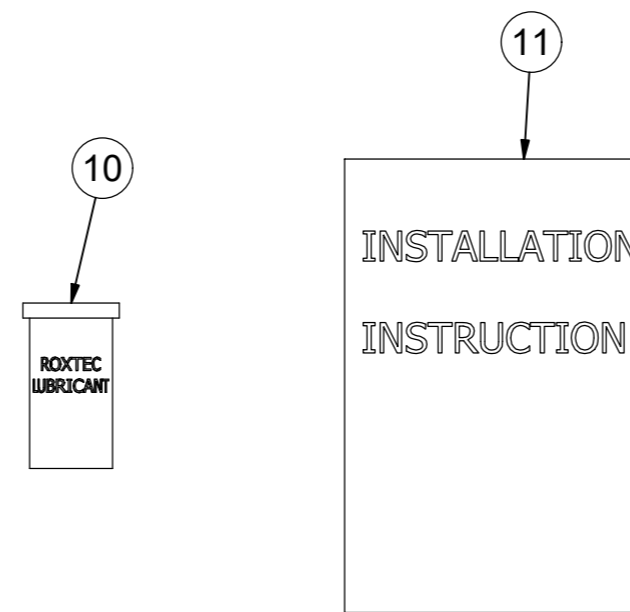
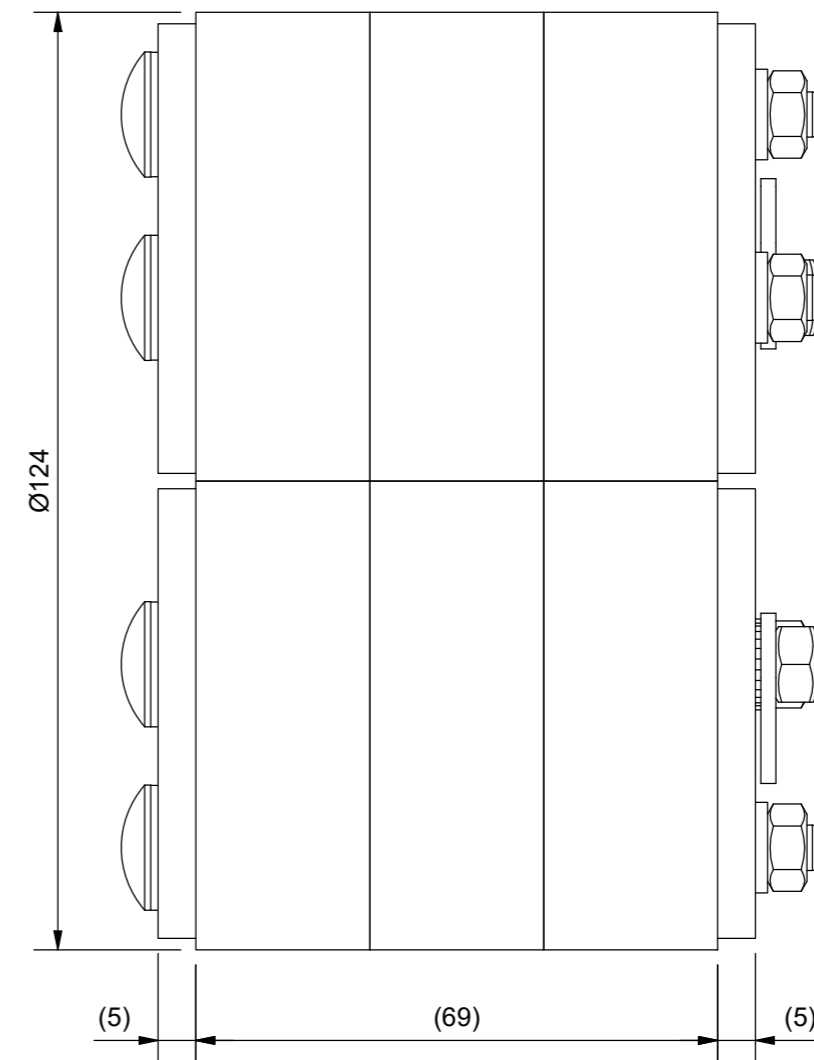
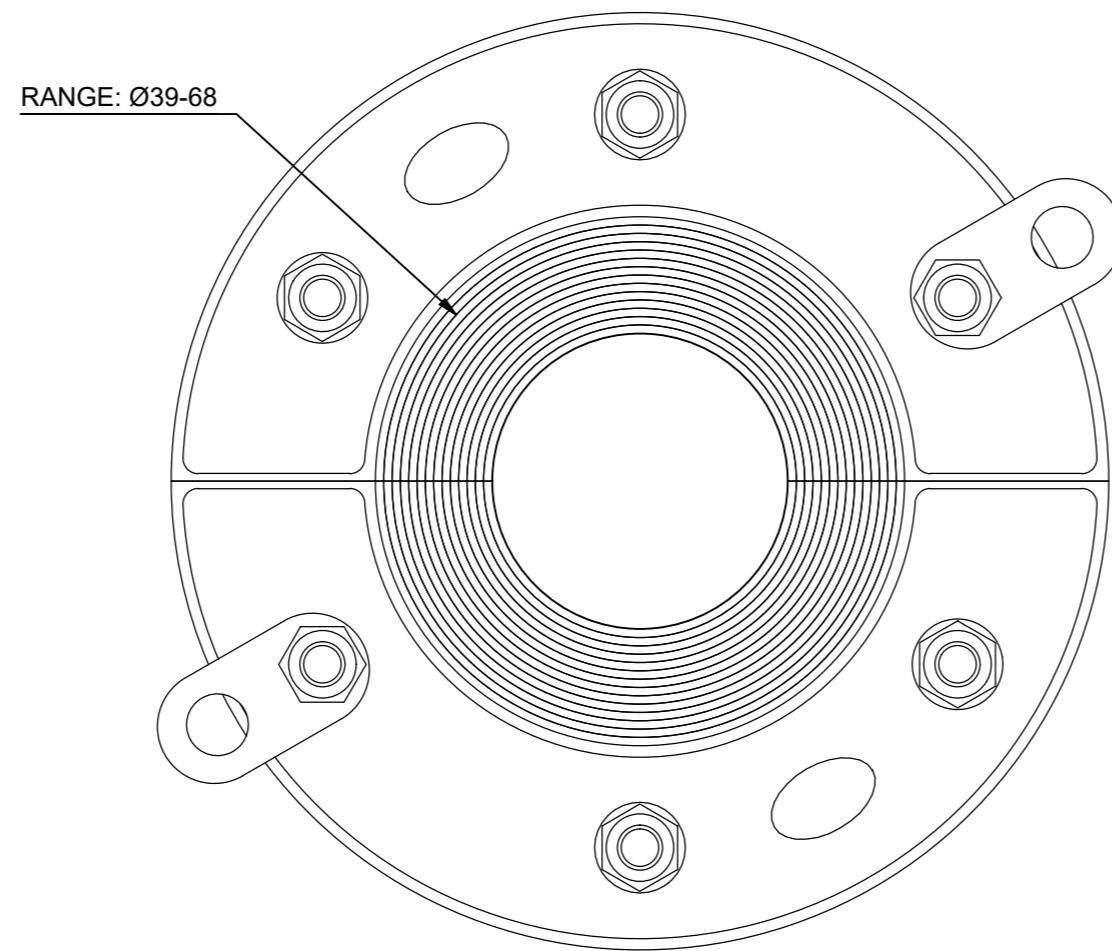
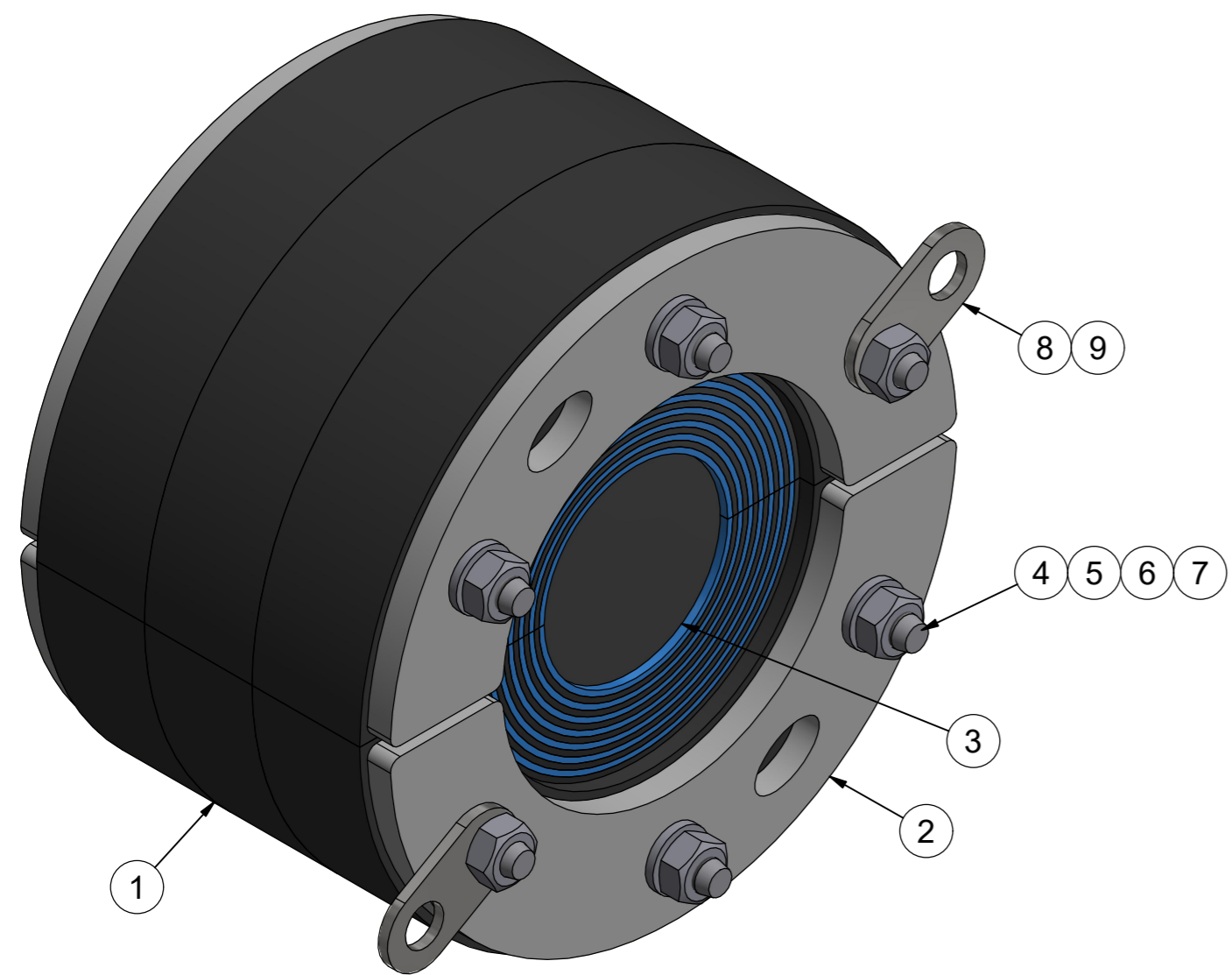


洛克赛克保留所有权利。未经授权严禁复制，  
使用以及向第三方泄漏。

All rights reserved. Unauthorized reproduction, use  
or disclosure to third parties is strictly forbidden.

Rev 3.1



ITEM	QTY	Designation	Specification	Weight
11	1	INSTALLATION INSTRUCTION		0
10	1	LUBRICANT	TALLOW	0
9	2	SERRATED LOCK WASHER	M6 AZ A4 6,4 DIN 6798A	0
8	2	STOP FLANGE M6/M8 FLAT	ACID PRROF STAINLESS STEEL	0
7	4	WASHER	BRB M6 A4	0
6	6	NUT	M6M M6 A4	0
5	6	SCREW	MVBF M6x90 A4 PT	0
4	6	GASKET MVBF	M6, EPDM T=1	0
3	1	CORE Ø39	ROXYLON	0.1
2	4	FITTING	ACID PRROF STAINLESS STEEL	0.1
1	2	RUBBER	ROXYLON	0.5

General tolerances used for manufacturing shown in document DOC-002180		Designed by/date	Latest save date	Format	Scale	Sheet no	TotWeight
		se-larlar 2021-10-29	2023-09-06	A2		1 / 1	1,7 kg
 www.roxtec.com		Title <b>RS UG SEALS</b> <b>RS 125 39-68 UG</b>		Restricted due to Information drawing		Drawing number <b>S1572737</b>	
							Projection method 
							Rev <b>F</b>

Rev	Type of revision	Date	Sign
F	MODEL UPDATE.	2023-09-06	se-larlar

Information drawings show general design and nominal dimensions if not else stated