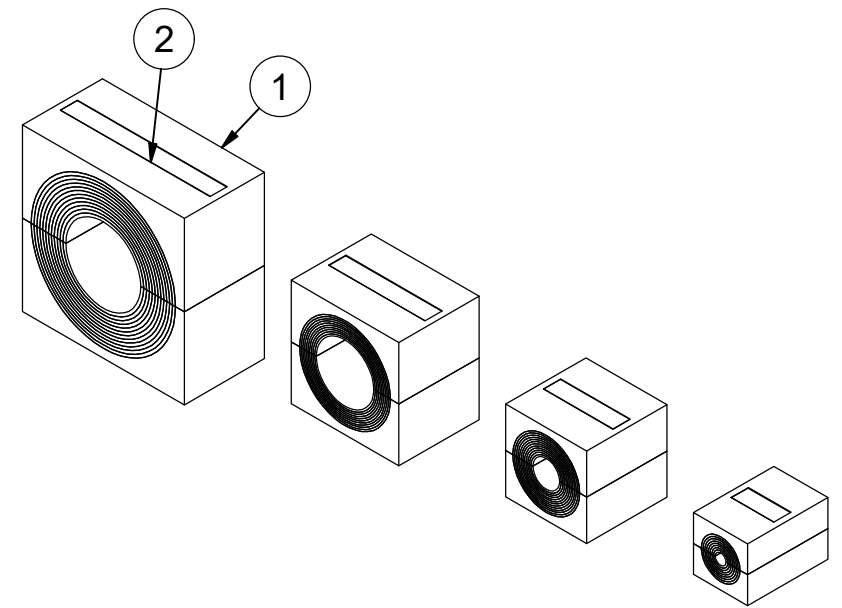
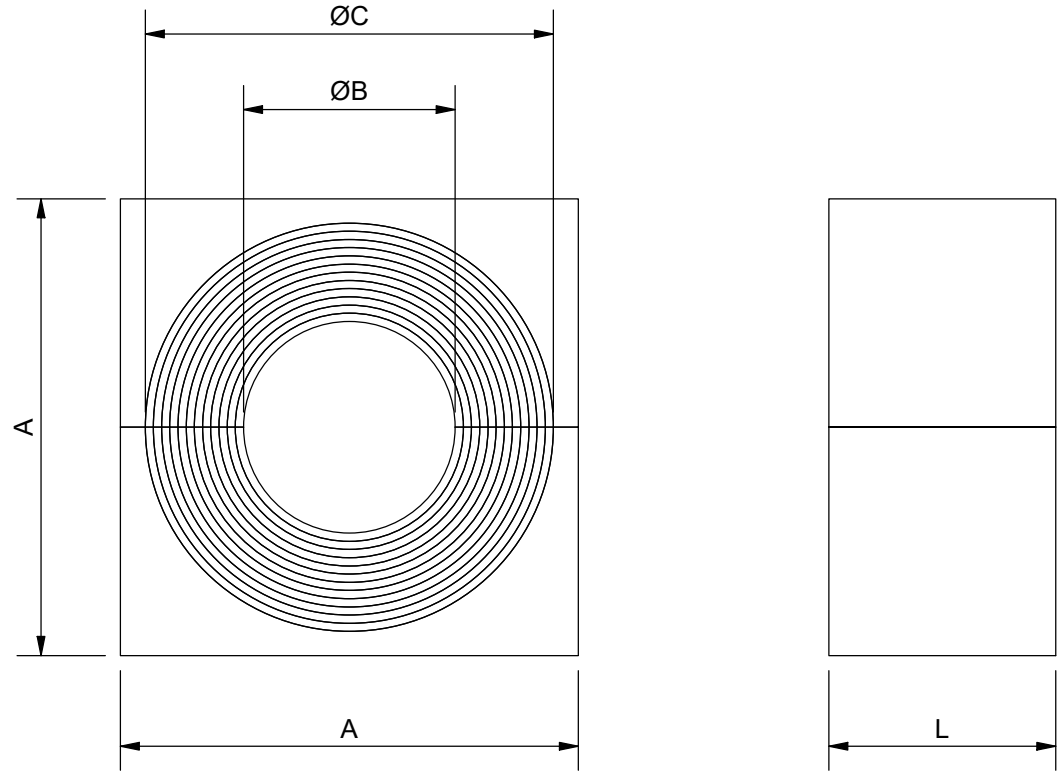



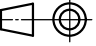
烙克赛克保留所有权利。未经授权严禁复制，使用以及向第三方泄漏。

ROXTEC				
TYPE	A (MM)	B (MM)	C (MM)	L (MM)
CM 20 PPS	20	4	13,5	30
CM 30 PPS	30	10	24	30
CM 40 PPS	40	21,5	33,5	30
CM 60 PPS	60	28	52	30



CM 60 PPS      CM 40 PPS      CM 30 PPS      CM 20 PPS

B	CORES REMOVED	2022-03-17	se-jenboh
Rev	Type of revision	Date	Sign

2	-	INTUMESCENT MATERIAL	HEAT REACTIVE				
1	-	CM PPS MODULE	ROXYLON				
ITEM	QTY	Designation	Specification				Weight
General tolerances used for manufacturing shown in document DOC-002180		Designed by/date se-jenboh      2020-01-15	Latest save date 2022-03-17	Format A3	Scale	Sheet no 1 / 1	TotWeight 0,3 kg
 <a href="http://www.roxtec.com">www.roxtec.com</a>		Title CM PPS WOC MODULES CM 20 PPS - CM 60 PPS				Projection method 	
		Restricted due to Information drawing		Drawing number S1551180		Rev B	

Information drawings show general design and nominal dimensions if not else stated

Rev 2.0 All rights reserved. Unauthorized reproduction, use or disclosure to third parties is strictly forbidden.