

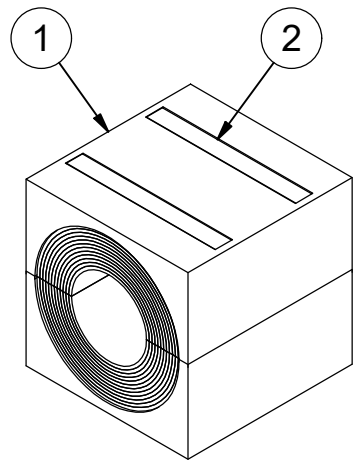
| RM PPS MODULES |        |        |        |        |
|----------------|--------|--------|--------|--------|
| TYPE           | A (MM) | B (MM) | C (MM) | L (MM) |
| RM 20 PPS      | 20     | 4      | 13,5   | 60     |
| RM 30 PPS      | 30     | 10     | 24     | 60     |
| RM 40 PPS      | 40     | 21,5   | 33,5   | 60     |
| RM 60 PPS      | 60     | 28     | 52     | 60     |
| RM 80 PPS      | 80     | 48     | 69     | 60     |



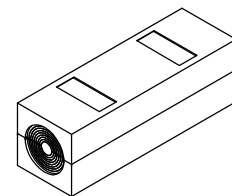
| RM PPS MODULE AND CONDUIT SIZE |       |       |       |       |       |       |       |       |
|--------------------------------|-------|-------|-------|-------|-------|-------|-------|-------|
| TYPE                           | NW 07 | NW 10 | NW 12 | NW 17 | NW 23 | NW 29 | NW 36 | NW 48 |
| RM 20 PPS                      | 5     | 7     |       |       |       |       |       |       |
| RM 30 PPS                      |       | 3     | 5     | 9     |       |       |       |       |
| RM 40 PPS                      |       |       |       |       | 6     |       |       |       |
| RM 60 PPS                      |       |       |       |       |       | 3     | 7     |       |
| RM 80 PPS                      |       |       |       |       |       |       |       | 3     |

**NOTE:**

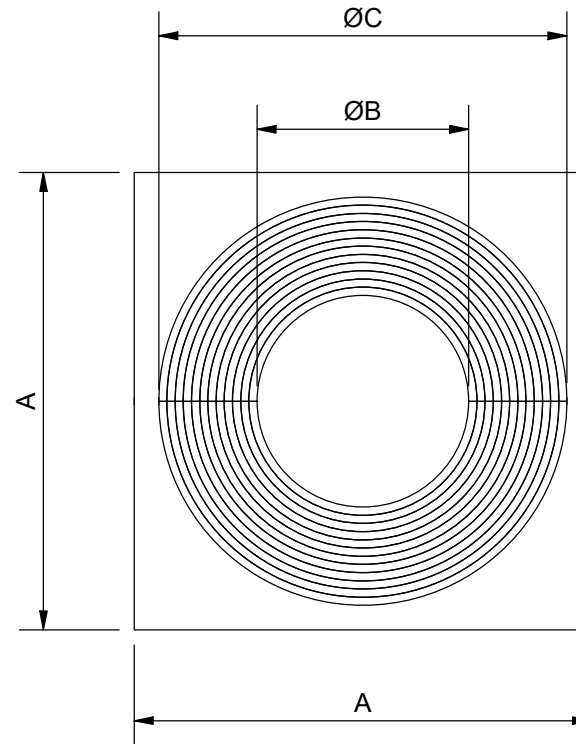
Adapt the Roxtec PPS modules to fit standard PMA conduits by peeling layers from each module half according to the table.




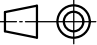
RM 60 PPS



RM 20 PPS



**NOTE: RM PPS MODULES ARE DELIVERED AS WOC ( WITHOUT CORE)**

| 2   | -   | INTUMESCENT MATERIAL                                 | HEAT ACTIVATED                 |              |                            |  |                     |
|---|-----|--|--------------------------------|--------------|----------------------------|--|---------------------|
| 1   | -   | RM PPS MDM PROFILE                                   | ROXYLON                        |              |                            |  |                     |
| ITEM  | QTY | Designation  | Specification                  |              |                            |  | Weight              |
| General tolerances used for manufacturing shown in document DOC-002180                                  |     | Designed by/date<br>se-jenboh 2019-12-16             | Latest save date<br>2022-03-17 | Format<br>A3 | Scale                      | Sheet no<br>1 / 1  | TotWeight<br>0,3 kg |
| <br>www.roxtec.com |     | Title<br>RM PPS WOC MODULES<br>RM 20 PPS - RM 80 PPS |                                |              |                            | Projection method<br> |                     |
|   |     | Restricted due to<br>Information drawing             |                                |              | Drawing number<br>S1550488 |  | Rev<br>B            |

|     |                  |            |           |
|-----|------------------|------------|-----------|
| B   | SIZE 80 ADDED.   | 2021-05-17 | se-jenboh |
| Rev | Type of revision | Date       | Sign      |