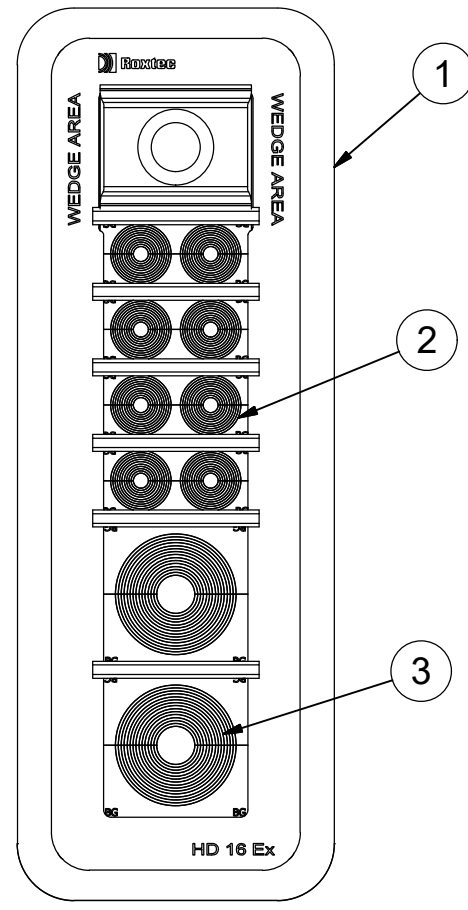
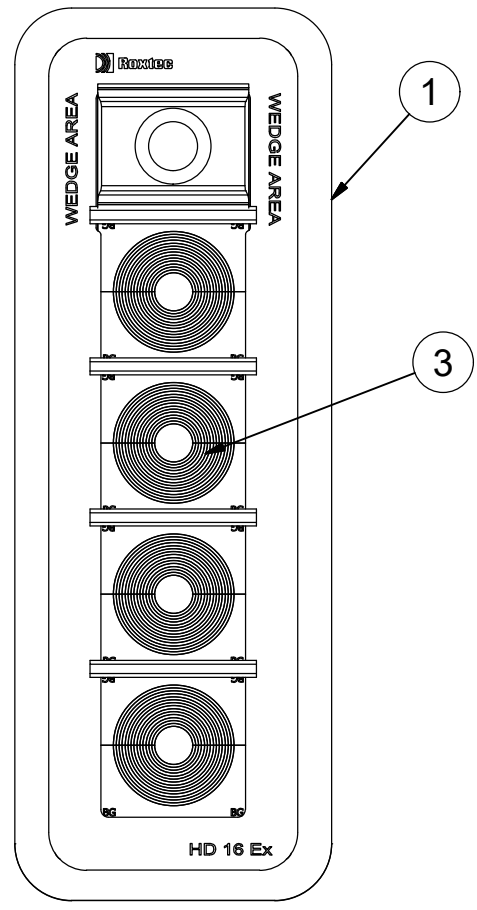


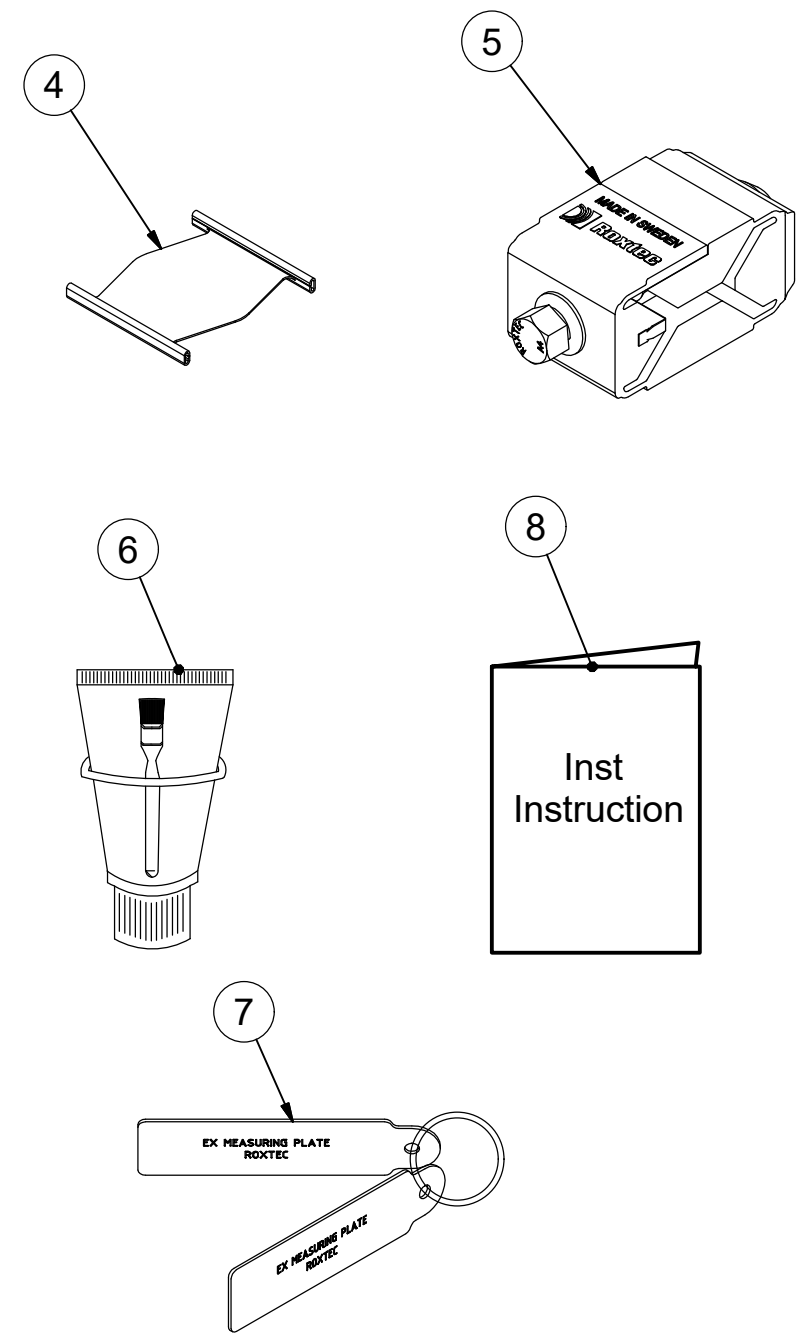
HD 16/16 BG Ex	
PCS	ITEMS
8	CX 20w40 BG
8	STAYPLATE



HD 16/10 BG Ex	
PCS	ITEMS
2	CX 40 10-31 BG
4	CX 20w40 BG
6	STAYPLATE



HD 16/4 BG Ex	
PCS	ITEMS
4	CX 40 10-31 BG
4	ITEMS



ITEM	QTY	Designation	Specification	Weight
8	1	INSTALLATION INSTRUCTION		
7	1	EX MEASUREMENT KIT		
6	1	ASSEMBLY GEL Ex		
5	1	C WEDGE HD Ex	AISI 316L	
4	-	STAYPLATE 40 HD Ex	AISI 316L, t=0,5mm	
3	-	CX 40 10-31 BG	RANGE \varnothing 0+9.5-31	
2	-	CX 20w40 BG	RANGE \varnothing 0+4-15.5	
1	1	HD 16 Ex FRAME ASSEMBLY	S1541526	

General tolerance:		Welded details:		General surface roughness:		Designed by/date		Latest save date		Format		Scale		Sheet no		TotWeight	
ISO 2768-1/2-m/K		EN ISO 5817-B		Ra 12.5		se-robigus 2019-06-20		2019-10-21		A3				1 / 1		N/A	
EN ISO 13920-BF		EN ISO 10042-B				Title										Projection method	
						HD 16 BG Ex KITS										Rev	
						Restricted due to				Drawing number		S1545150				B	
						www.roxtec.com		Information drawing									

B		2019-10-21	se-robigus
Rev	Type of revision	Date	Sign