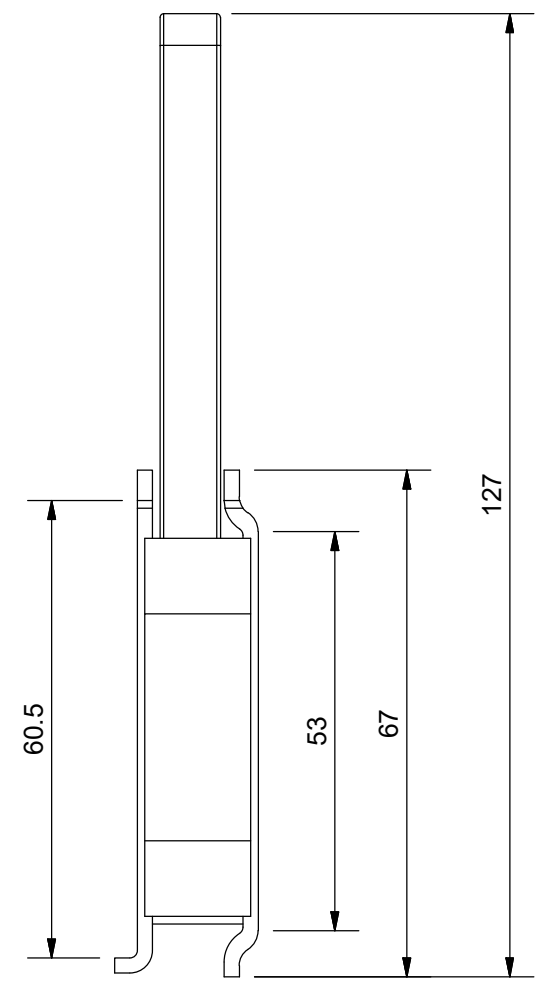
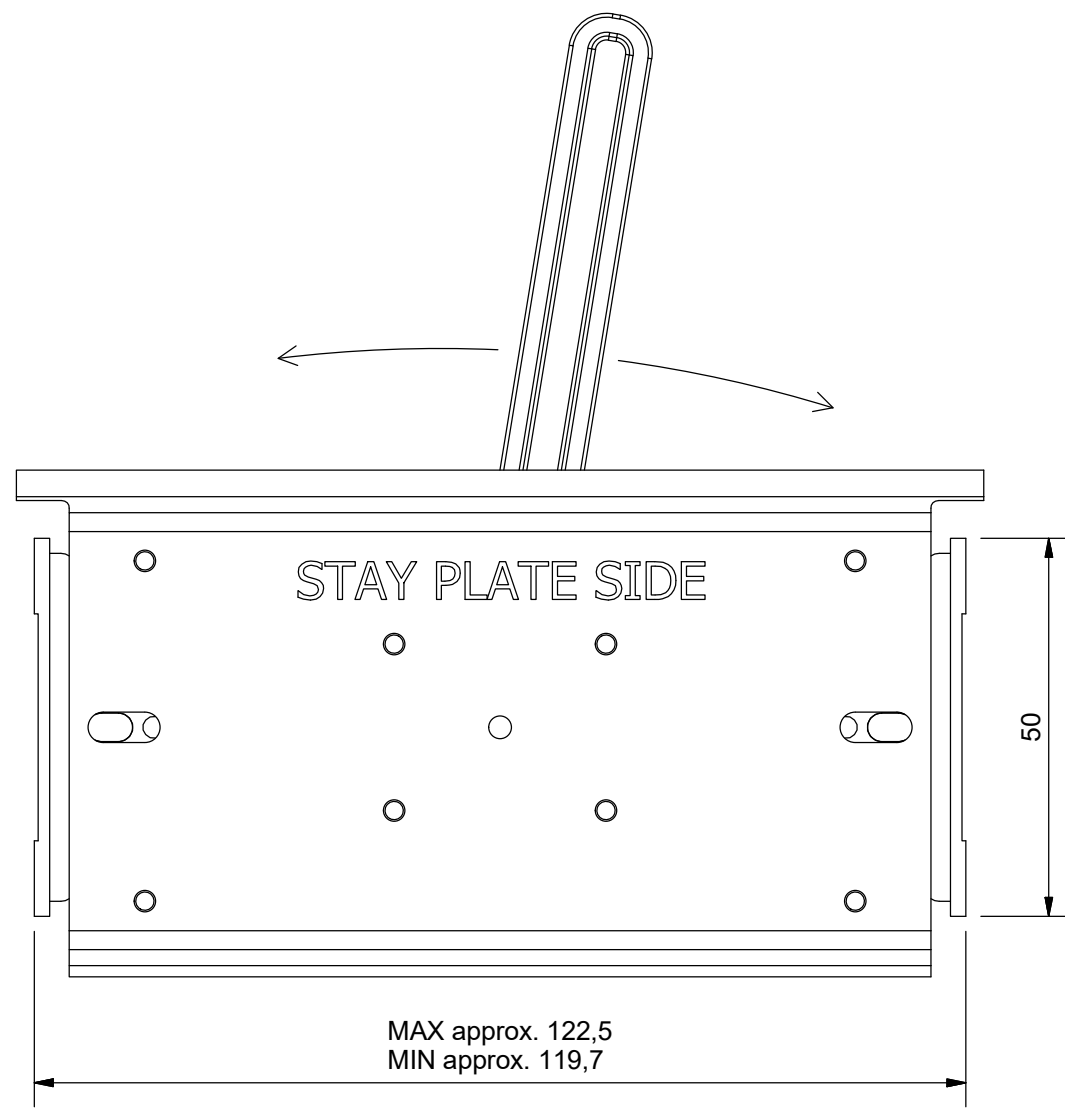
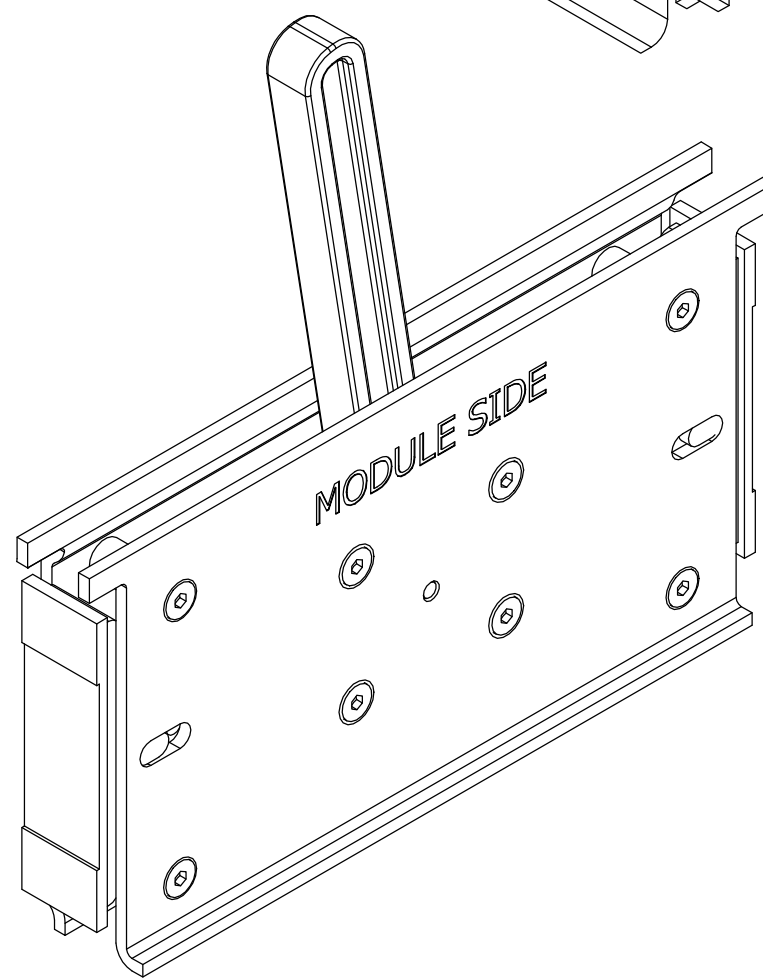
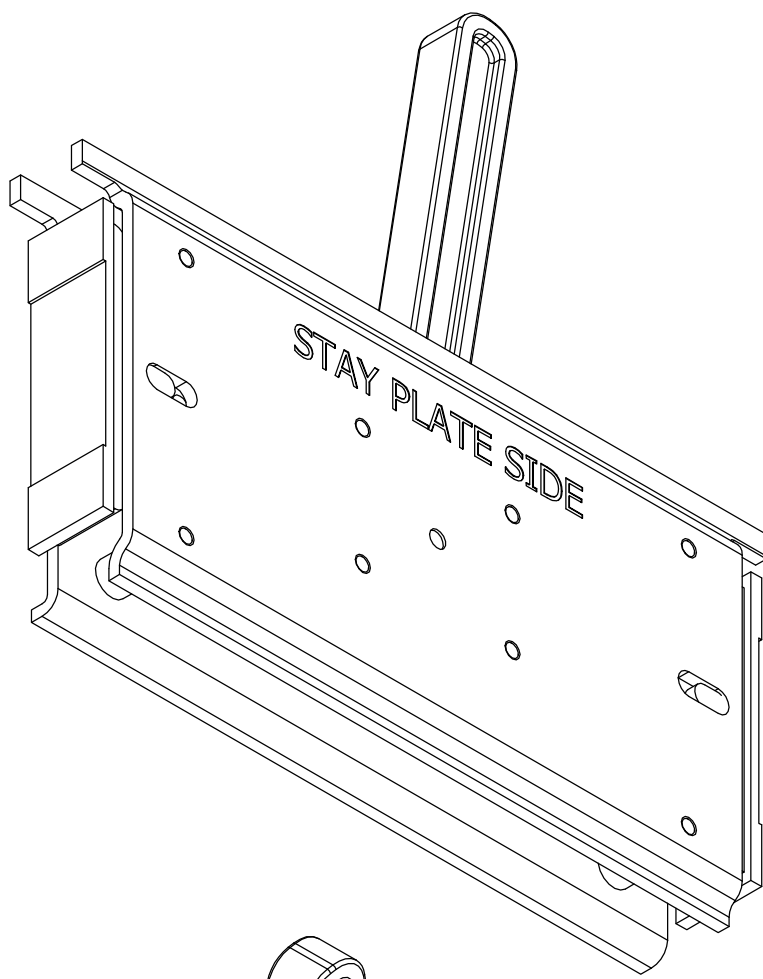



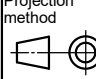
烙克赛克保留所有权利。未经授权严禁复制，使用以及向第三方泄漏。

Rev 1.0 All rights reserved. Unauthorized reproduction, use or disclosure to third parties is strictly forbidden.

MATERIAL ALUMINIUM / UNTREATED  
MATERIAL STAINLESS STEEL



A		2019-03-26	se-andrek
Rev	Type of revision	Date	Sign

General tolerance: ISO 2768-1/2-m/K EN ISO 13920-BF	Welded details: EN ISO 5817-B EN ISO 10042-B	General surface roughness: Ra 12.5	Designed by/date se-andrek 2019-03-26	Latest save date 2019-03-26	Format A3	Scale	Sheet no 1 / 1	TotWeight 0,3 kg
 <b>Roxtec</b> www.roxtec.com			Title MODULE HOLDER TOOL ASSEMBLY			Projection method 		Rev A
			Restricted due to Information drawing			Drawing number S1542269		