

洛克赛克保留所有权利。未经授权严禁复制、使用以及向第三方泄露。

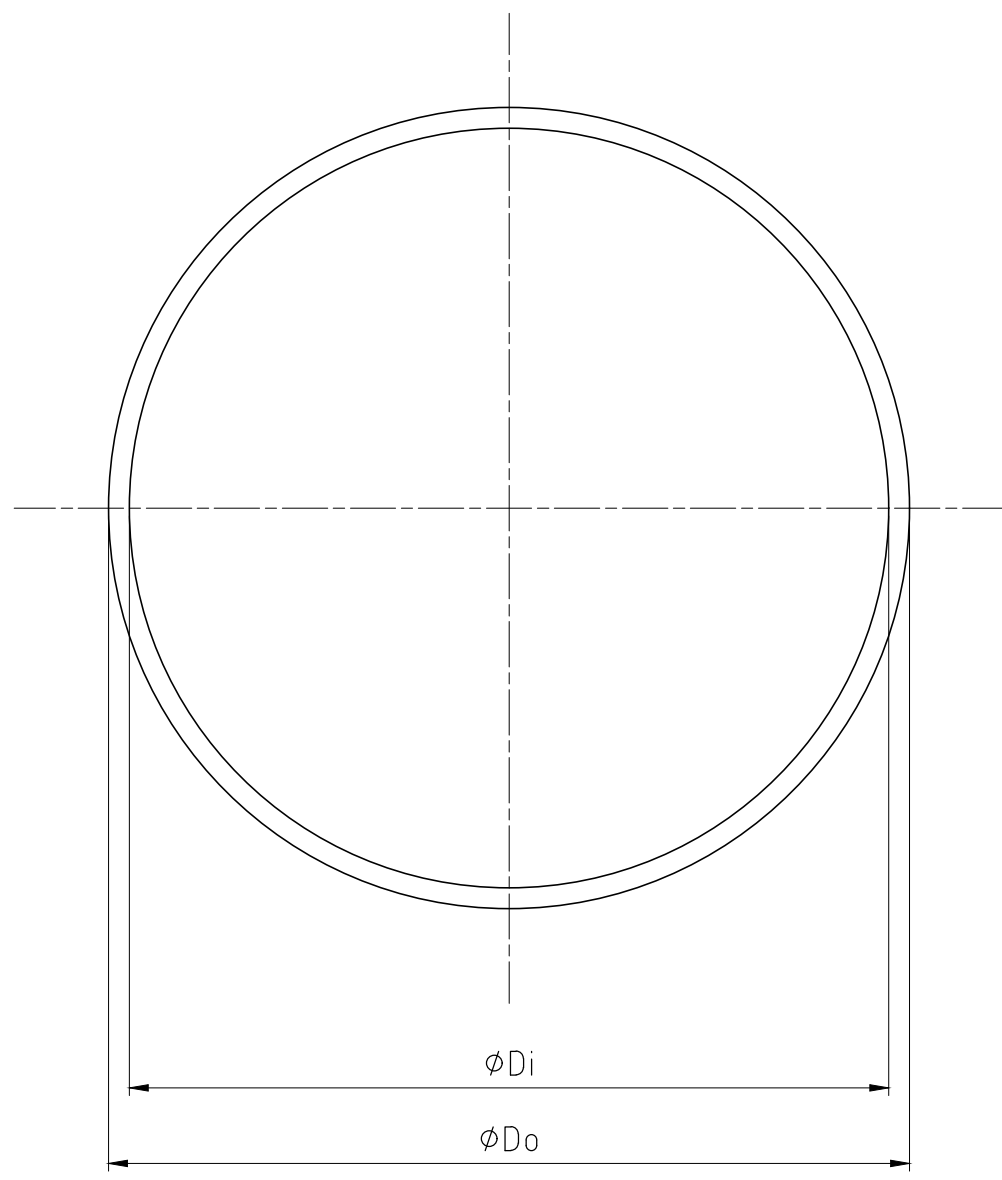
All rights reserved. Unauthorized reproduction, use or disclosure to third parties is strictly forbidden.

Rev 2.0

TYPE	Di (mm)	Do (mm)
SL-25	25,5	33,5
SL-50	51	60
SL-75	76	85
SL-100	101	111
SL-125	126	136
SL-150	151	161
SL-200	201	212

NOTE: Do CAN VARY UP TO +4MM


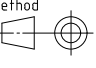
GLASS REINFORCED POLYESTER (GRP)



DPO = DIMENSION VIA PURCHASE ORDER
STANDARD DPO = 75MM

Rev	Type of revision	Date	Sign
D	NAME CHANGE	2020-02-10	se-oskerl



Item	Qty	Designation	Specification				Net Weight	
General tolerances used for manufacturing shown in document DOC-002180		Designed by se-oskerl	Created Date 2019-03-01	Latest save date 2020-02-10	Format A3	Scale 1:2	Sheet no	Tot Weight -
 www.roxtec.com		Title SLEEVE GRP SL Ø25 - Ø200				Projection method 		
		Restricted due to Information drawing				Drawing number S1541420		Rev D

Information drawings show general design and nominal dimensions if not else stated