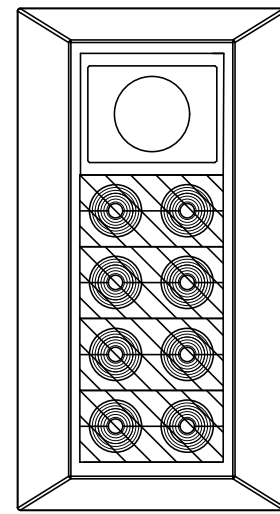
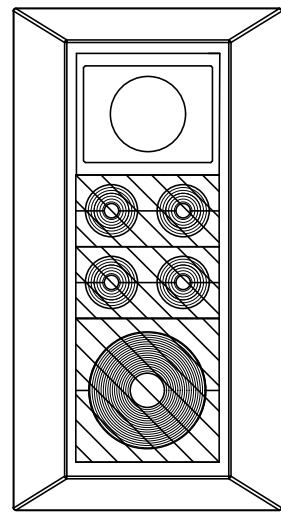
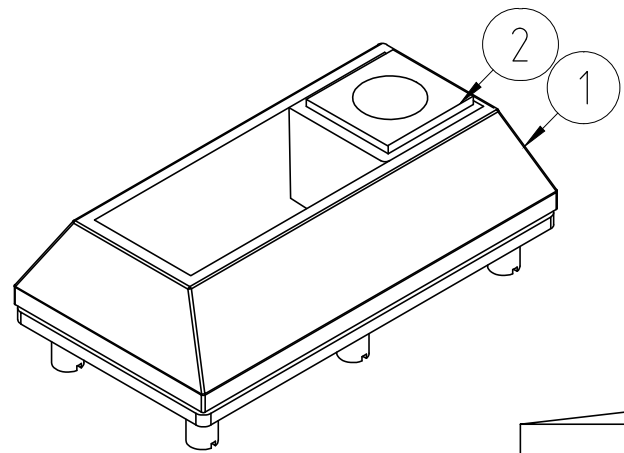
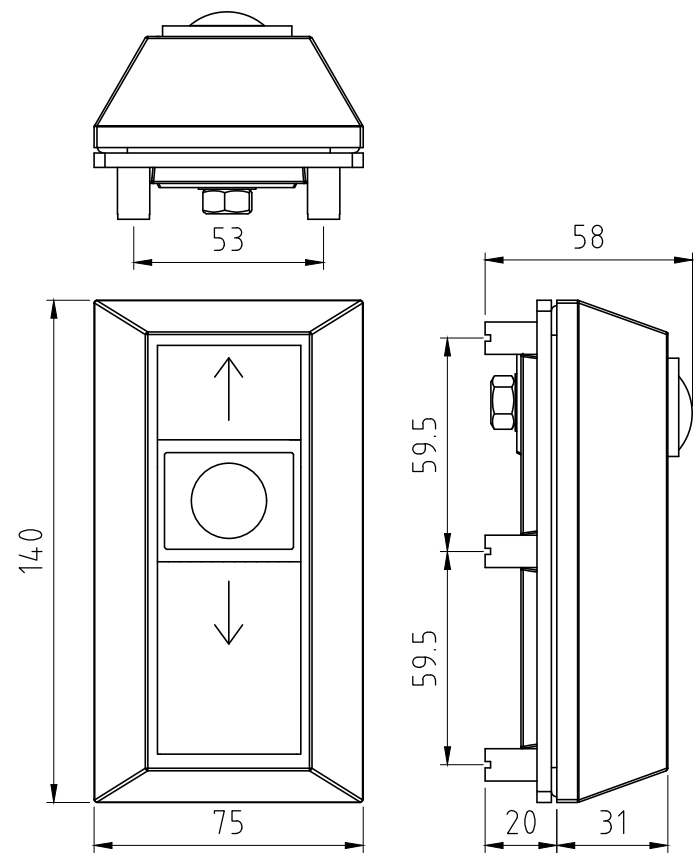


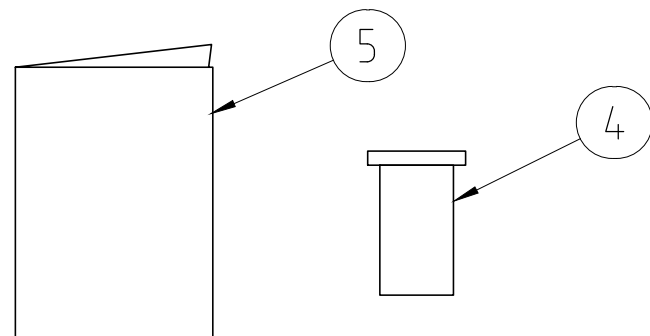
烙克赛克保留所有权利。未经授权严禁复制，使用以及向第三方泄露。

All rights reserved. Unauthorized reproduction, use or disclosure to third parties is strictly forbidden.



CF 8/5 PE		
MODULE TYPE	RANGE	QTY
CM 20w40 PE	0+3.5-16.5	2
CM 40 10-32 PE	0+9.5-32.5	1

CF 8/8 PE		
MODULE TYPE	RANGE	QTY
CM 20w40 PE	0+3.5-16.5	4



5	1	INSTALLATION INSTRUCTION		-
4	1	LUBRICANT	10 ml	-
3	1	MODULE KIT	ACCORDING TO TABLE	-
2	1	C COMPRESSION UNIT PE		-
1	1	CF 8 EMC FRAME		-

Item	Qty	Designation	Specification	NetWeight
------	-----	-------------	---------------	-----------

General tolerances used for manufacturing shown in document DDC-002180		Designed by se-mikgru	Created Date 2019-01-31	Latest save date 2019-06-11	Format A3	Scale 1:2	Sheet no	TotWeight -
--	--	--------------------------	----------------------------	--------------------------------	--------------	--------------	----------	----------------

 www.roxtec.com		Title CF 8 PE KIT SOLUTIONS		Projection method
		Restricted due to Information drawing		

A		2019-01-31	se-linado
Rev	Type of revision	Date	Sign

Information drawings show general design and nominal dimensions if not else stated