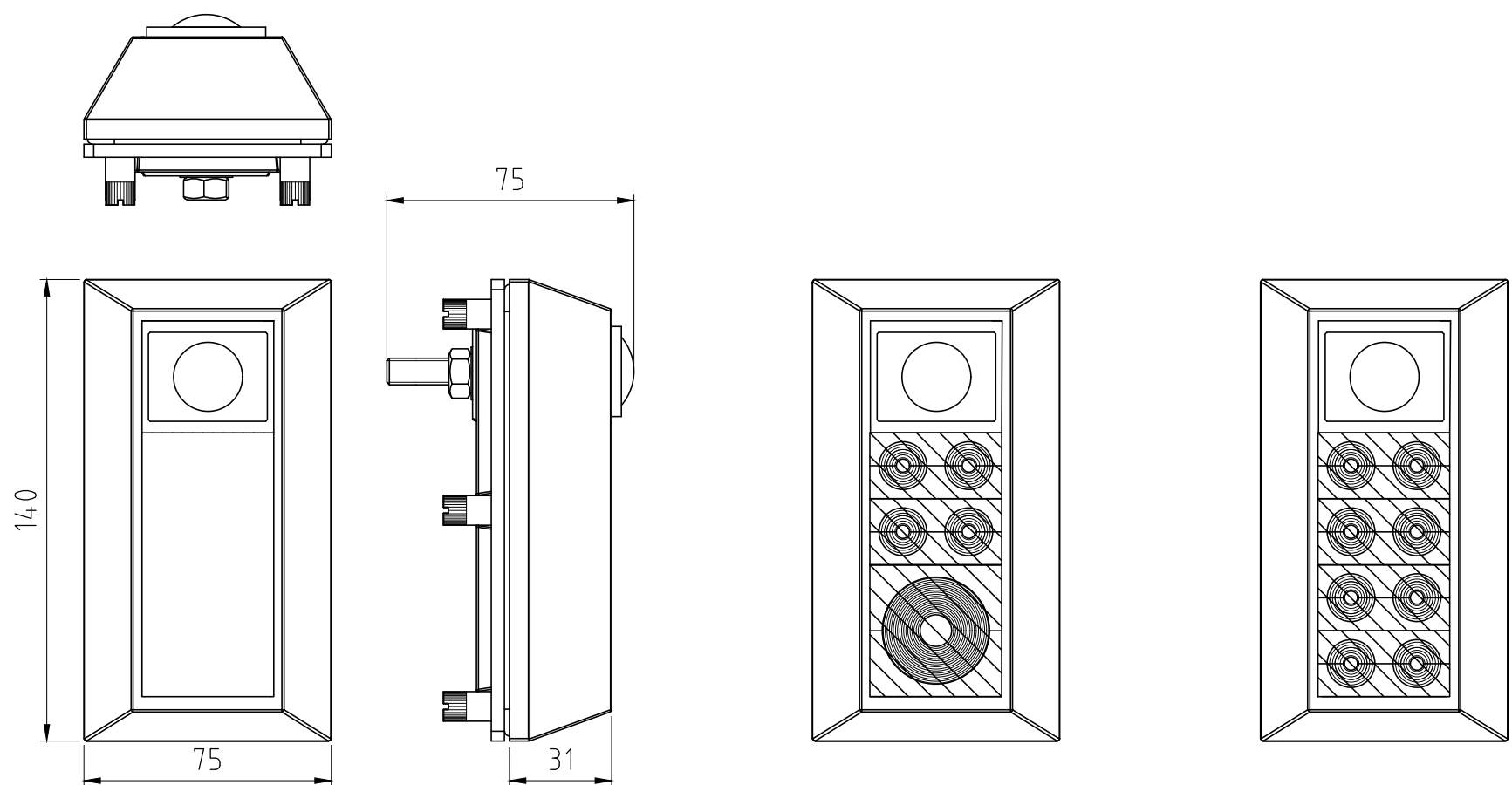


烙克赛克保留所有权利。未经授权严禁复制，使用以及向第三方泄漏。

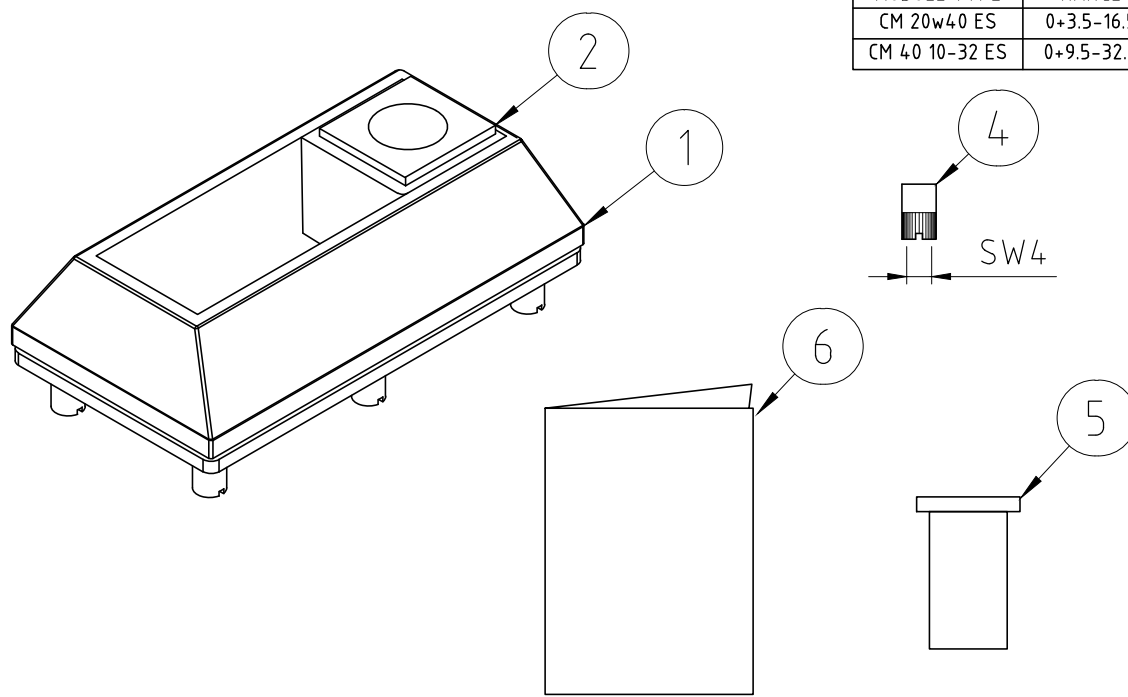
All rights reserved. Unauthorized reproduction, use or disclosure to third parties is strictly forbidden.

Rev 2.0



CF 8/5 ES		
MODULE TYPE	RANGE	QTY
CM 20w40 ES	0+3.5-16.5	2
CM 40 10-32 ES	0+9.5-32.5	1


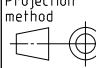
CF 8/8 ES		
MODULE TYPE	RANGE	QTY
CM 20w40 ES	0+3.5-16.5	4



MAX WALL THICKNESS = 4MM

Item	Qty	Designation	Specification	Net Weight
6	1	INSTALLATION INSTRUCTION		
5	1	LUBRICANT		
4	6	NUT 9x14xM6 A4-70	ACID PROOF STAINLESS STEEL	
3	1	MODULE KIT	ACCORDING TO TABLE	
2	1	CF 8/32 COMPRESSION UNIT ES AISI316	ROXYLON	
1	1	CF 8 EMC FRAME	NICKEL PLATED ALUMINIUM	

Rev	Type of revision	Date	Sign
C		2024-01-30	se-parham

General tolerances used for manufacturing shown in document DOC-002180		Designed by	Created Date	Latest save date	Format	Scale	Sheet no	Total Weight
		se-mikgru	2019-01-31	2024-01-30	A3	1:2		-
 www.roxtec.com		Title		Projection method				
		CF 8 ES						
		KIT SOLUTIONS						
		Restricted due to		Drawing number		Rev		
		Information drawing		S1540252		C		

Information drawings show general design and nominal dimensions if not else stated