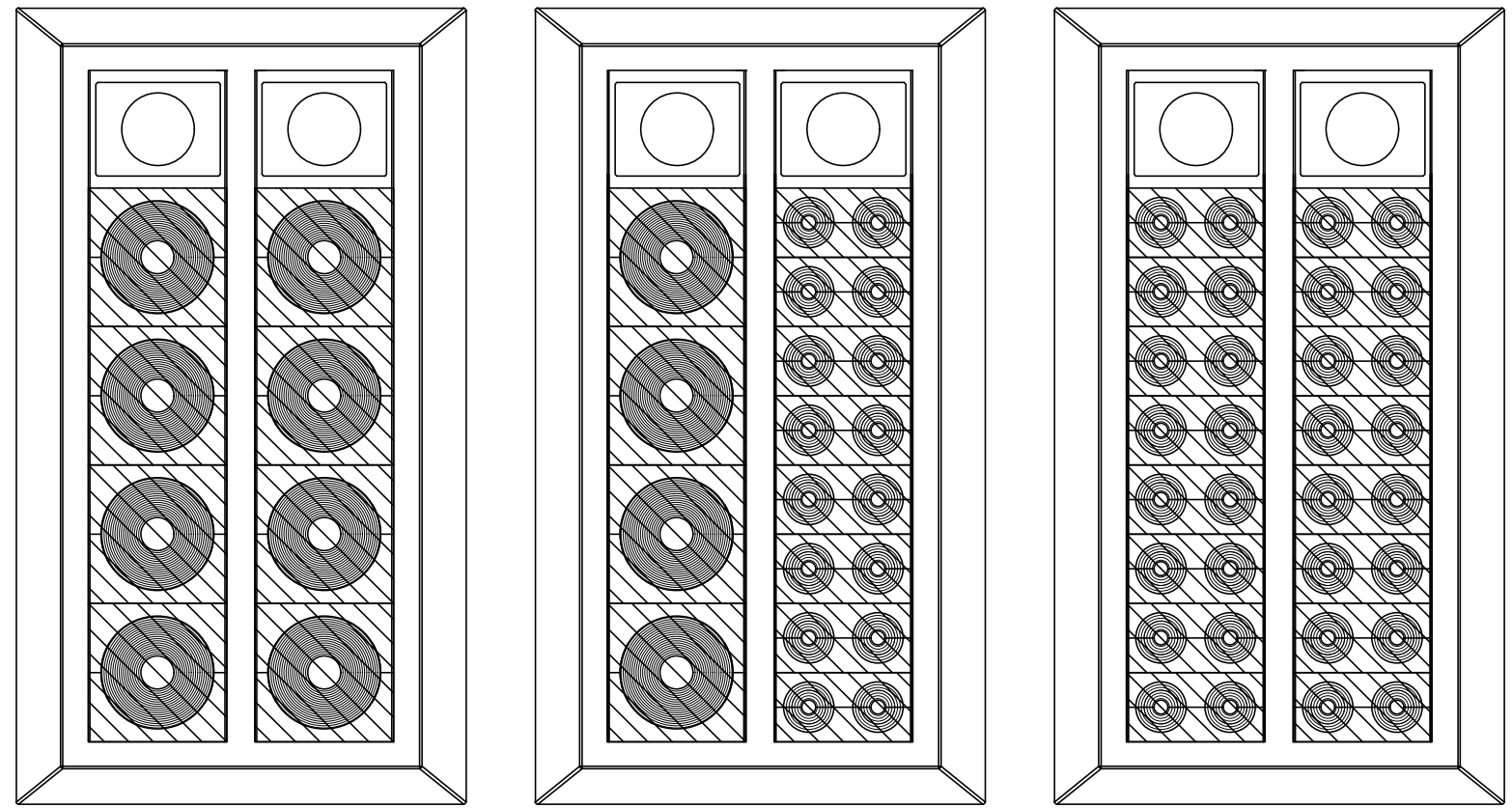
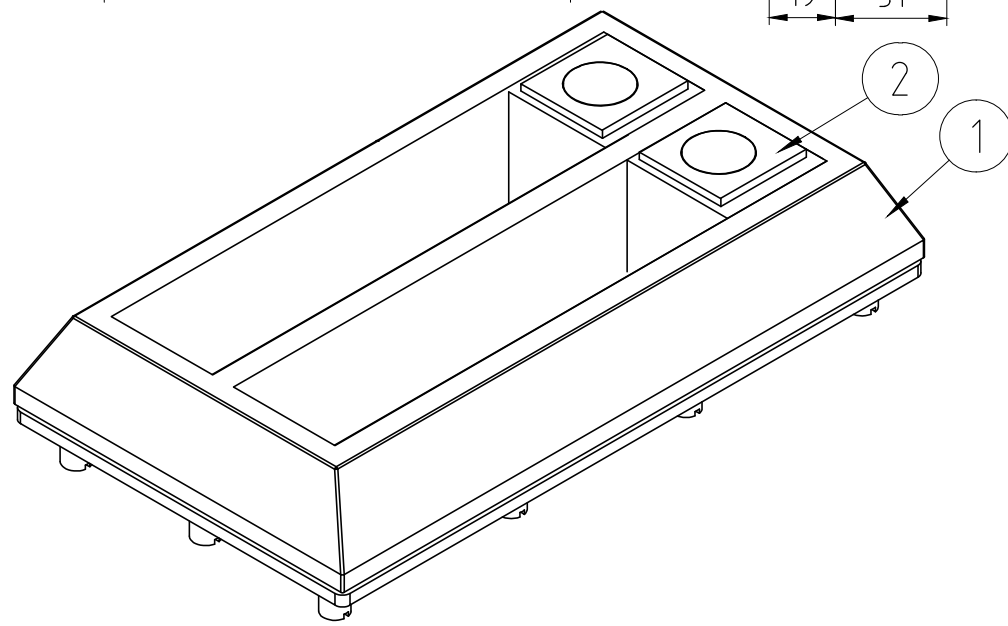
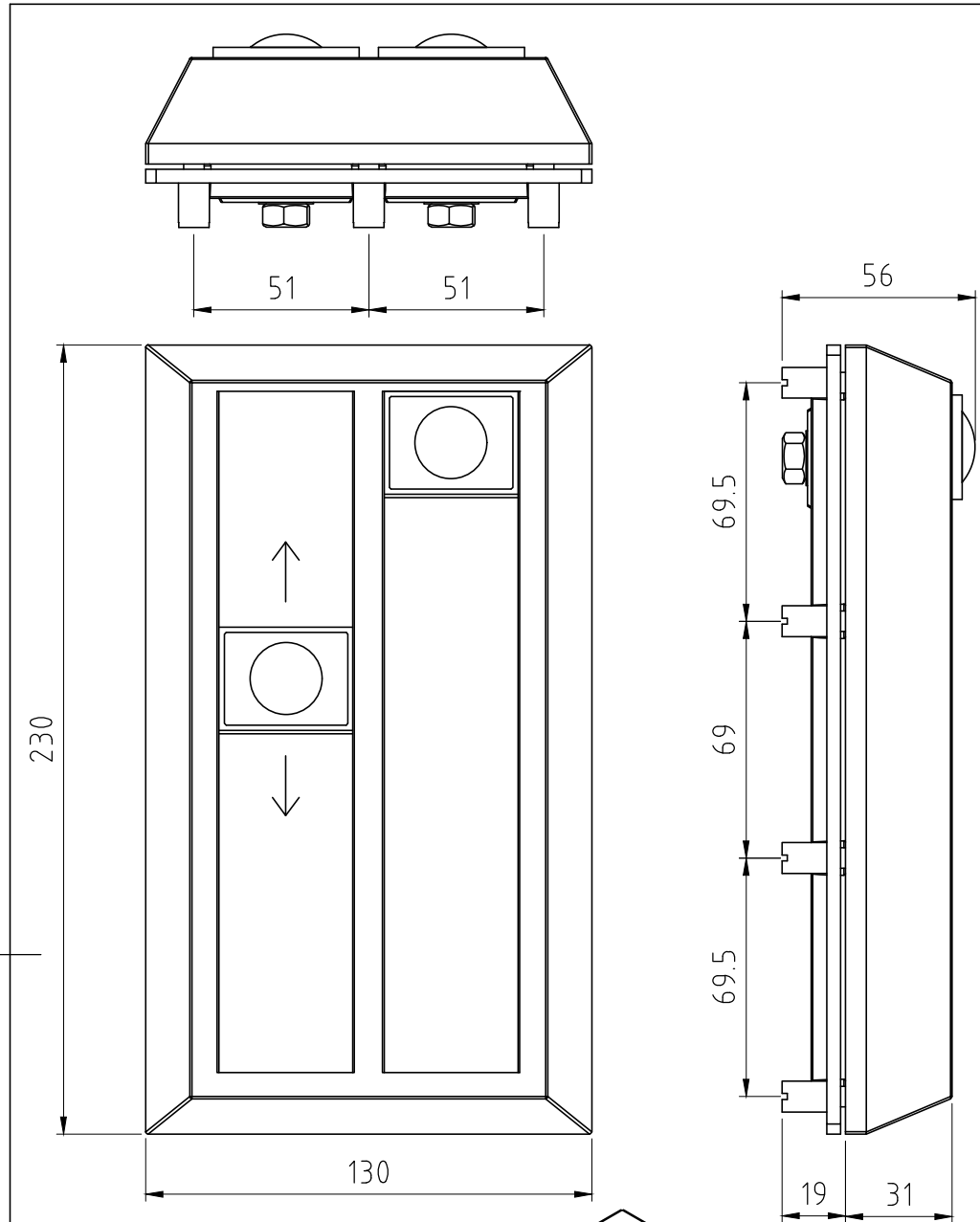


烙克赛克保留所有权利。未经授权严禁复制，
使用以及向第三方泄漏。

All rights reserved. Unauthorized reproduction, use
or disclosure to third parties is strictly forbidden.

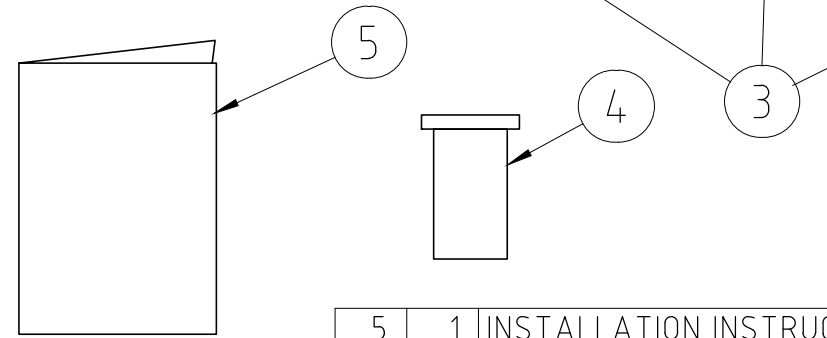
Rev 2.0



CF 32/8 PE		
MODULE TYPE	RANGE	QTY
CM 40 10-32 PE	0+9.5-32.5	8

CF 32/20 PE		
MODULE TYPE	RANGE	QTY
CM 20w40 PE	0+3.5-16.5	8
CM 40 10-32 PE	0+9.5-32.5	4

CF 32/32 PE		
MODULE TYPE	RANGE	QTY
CM 20w40 PE	0+3.5-16.5	16



5	1	INSTALLATION INSTRUCTION		-
4	1	LUBRICANT	25 ml	-
3	1	MODULE KIT	ACCORDING TO TABLE	-
2	2	C COMPRESSION UNIT PE		-
1	1	CF 32 EMC FRAME		-

Item	Qty	Designation	Specification	NetWeight
General tolerances used for manufacturing shown in document DDC-002180		Designed by	Created Date	Latest save date
		se-mikgru	2019-01-31	2019-06-11
		Format	Scale	Sheet no
		A3	1:2	
		Title		Projection method
		CF 32 PE		First angle
		KIT SOLUTIONS		
		Restricted due to		Rev
		Information drawing		A
		Drawing number		
		S1540249		

Rev	Type of revision	Date	Sign
A		2019-01-31	se-linado

Information drawings show general design and nominal dimensions if not else stated