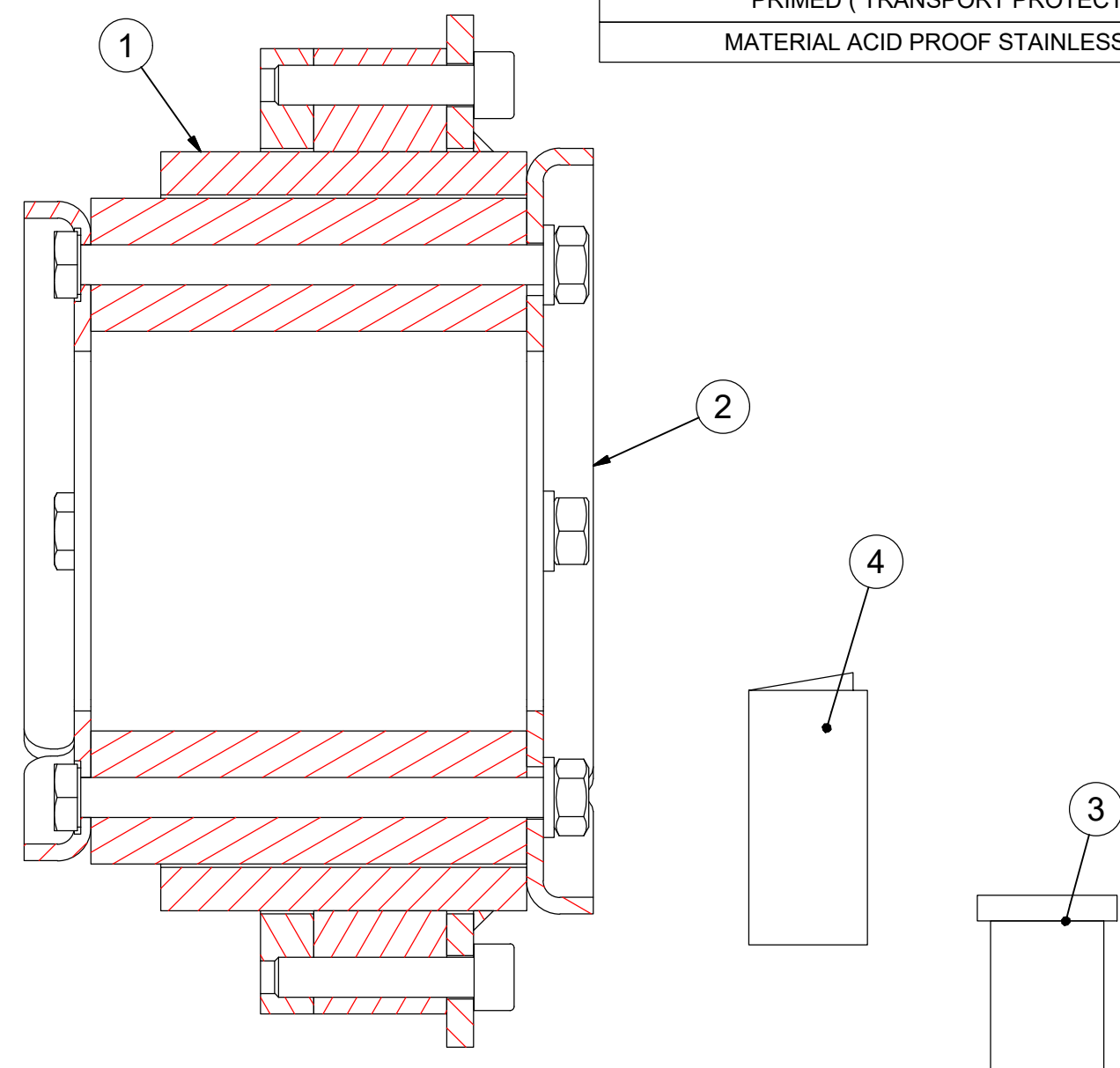
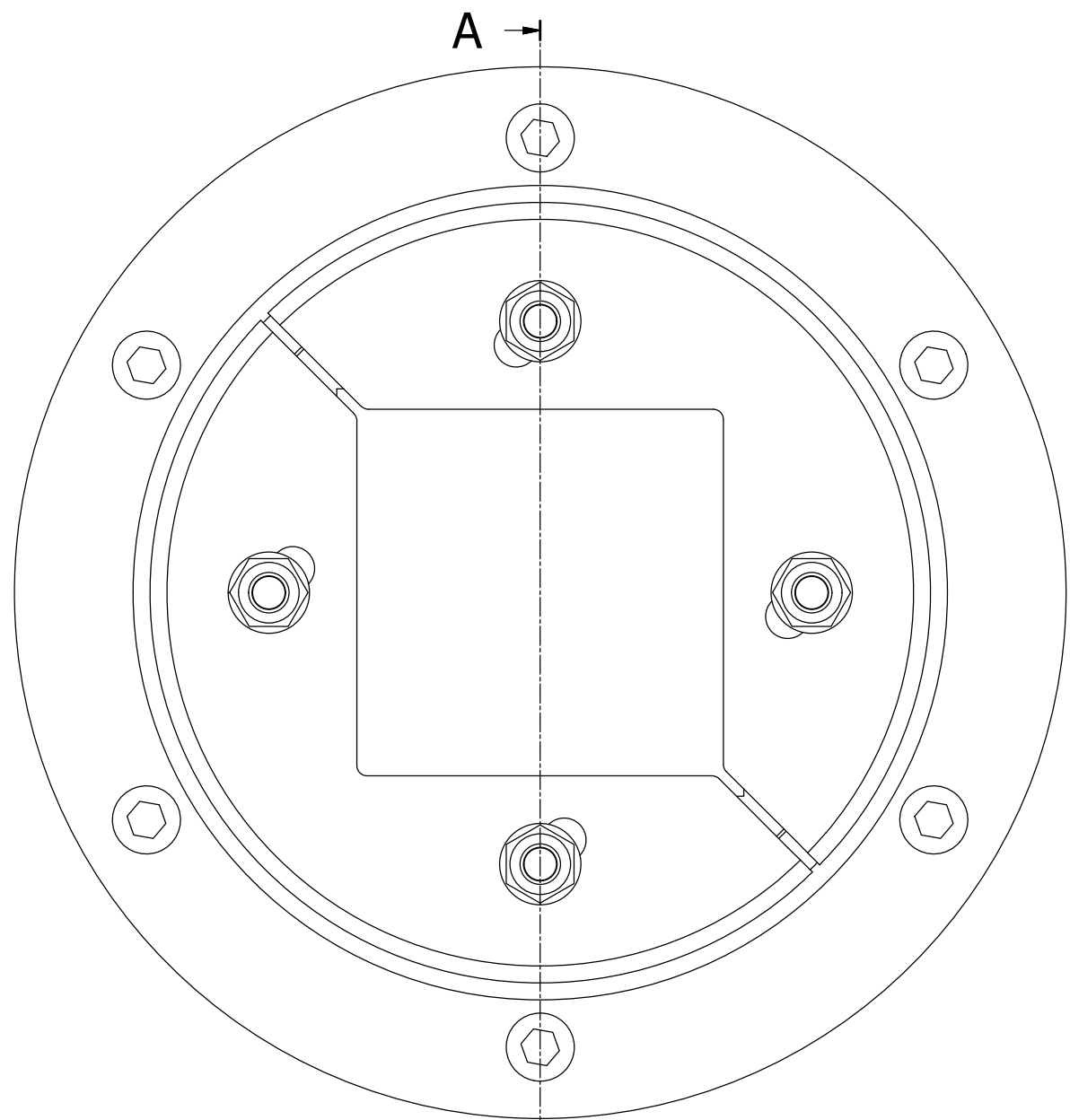


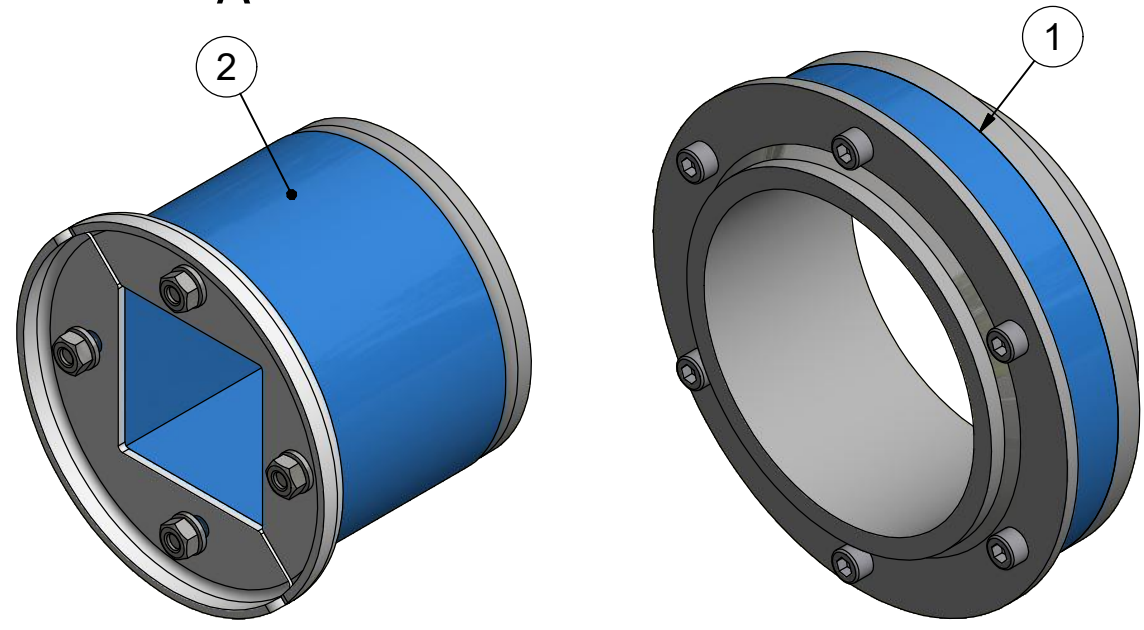
烙克赛克保留所有权利。未经授权严禁复制，使用以及向第三方泄漏。

Rev 1.0 All rights reserved. Unauthorized reproduction, use or disclosure to third parties is strictly forbidden.



MATERIAL MILD STEEL HOT DIPPED GALVANIZED ACC, TO ISO 1461
MATERIAL MILD STEEL PRIMED (TRANSPORT PROTECTION)
MATERIAL ACID PROOF STAINLESS STEEL

A-A (1:1)



NOTE: FRAME FITTINGS ARE AVAILABLE IN GALVANIZED OR ACID PROOF STAINLESS STEEL

4	1	INSTALLATION INSTRUCTION	
3	1	LUBRICANT	TALLOW
2	1	R FRAME	DRAWINGS: S1005511, S1005512, S1005506
1	1	SLFR X SLEEVE	DRAWING: S1004390

ITEM	QTY	Designation	Specification	Weight
General tolerance:		Welded details:	General surface roughness:	Designed by/date
ISO 2768-1/2-m/K		EN ISO 5817-B	Ra 12.5	se-jenboh 2018-10-16
EN ISO 13920-BF		EN ISO 10042-B		Latest save date
				2018-10-17
				Format
				A3
				Scale
				Sheet no
				1 / 1
				TotWeight
				N/A
				Projection method
				Rev
				A

A		2018-10-16	se-jenboh
Rev	Type of revision	Date	Sign



Title
R X KIT SOLUTIONS
R X 70-200
Restricted due to
Information drawing

Drawing number
S1536905