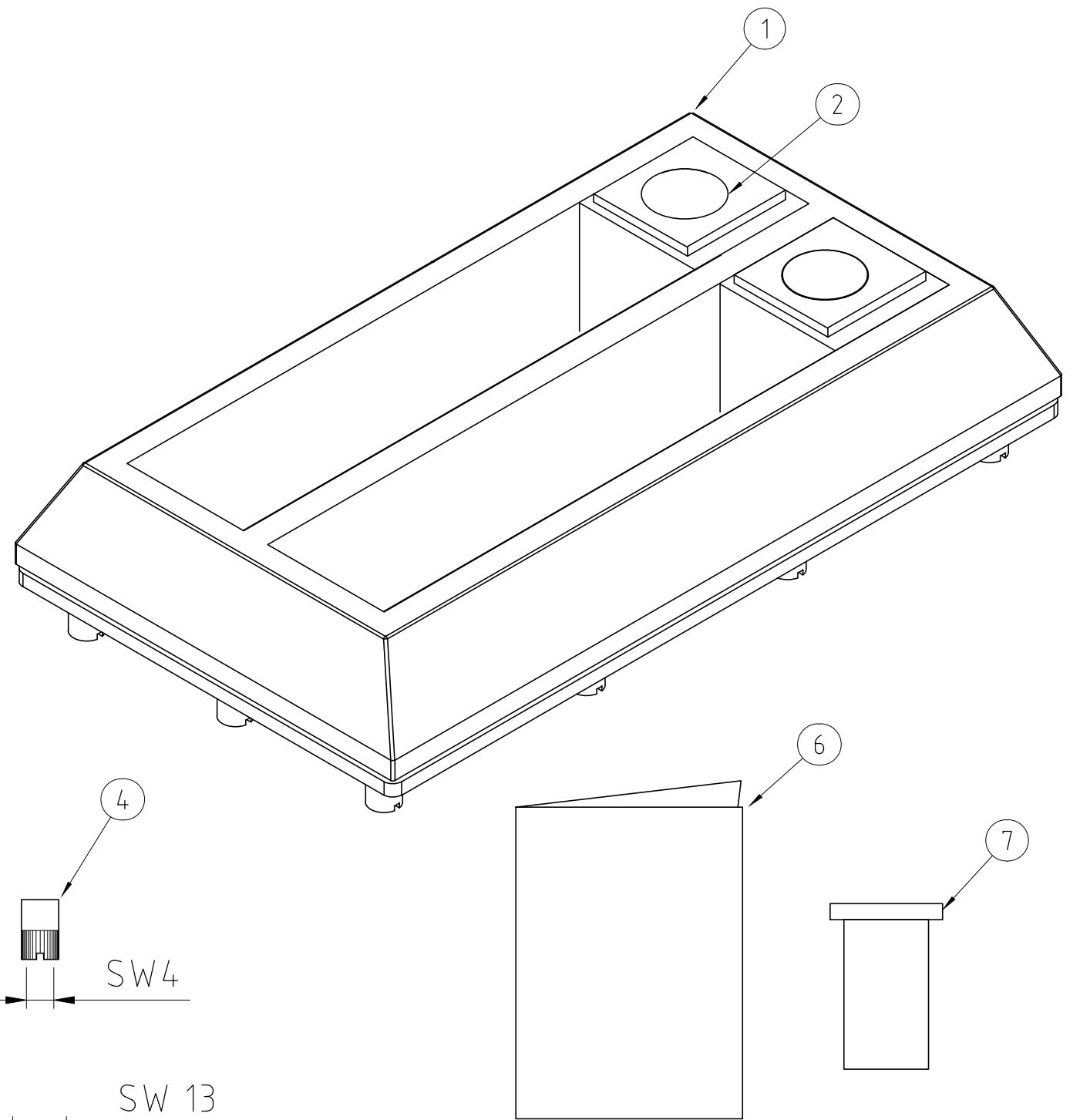
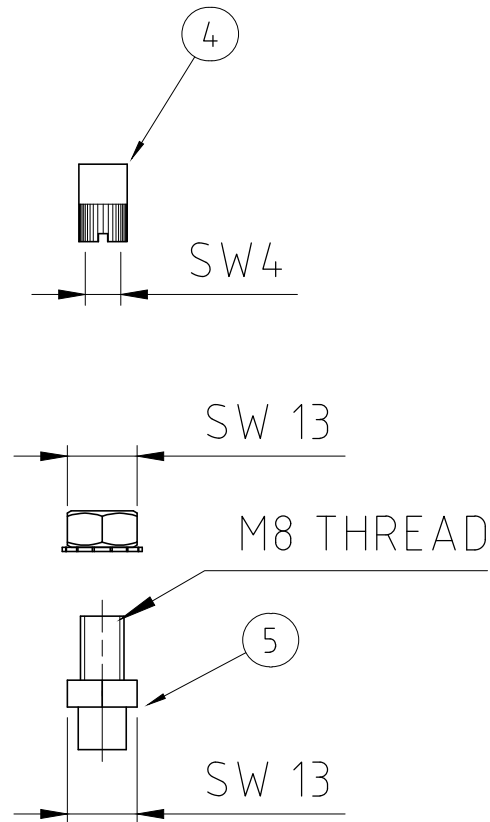
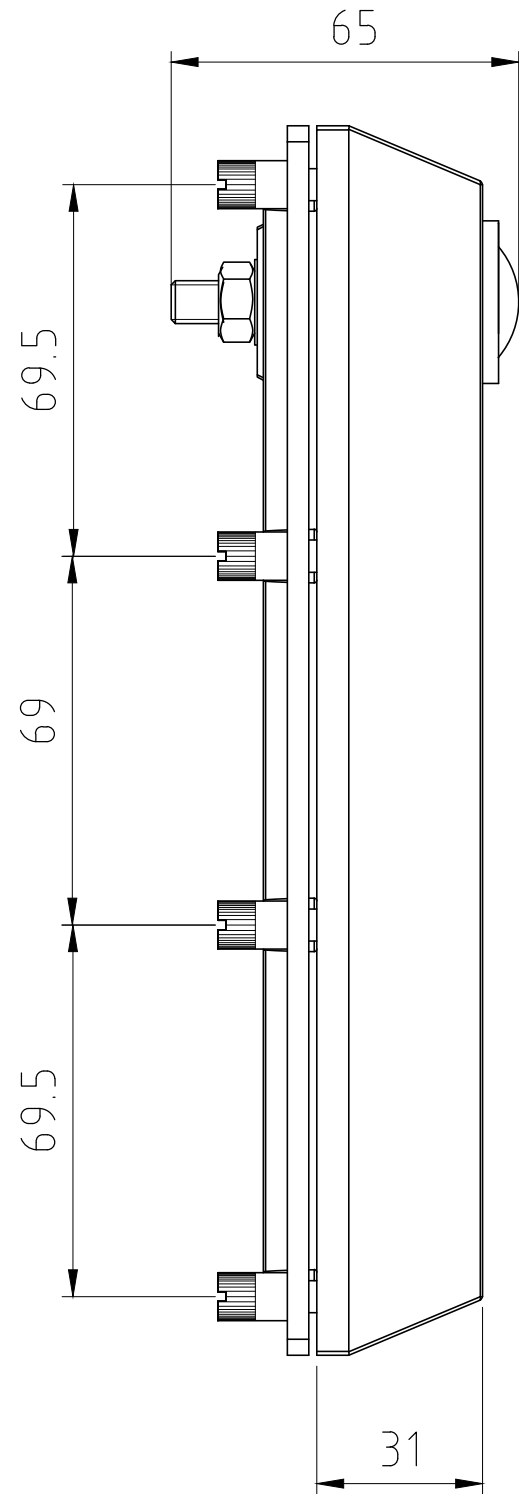
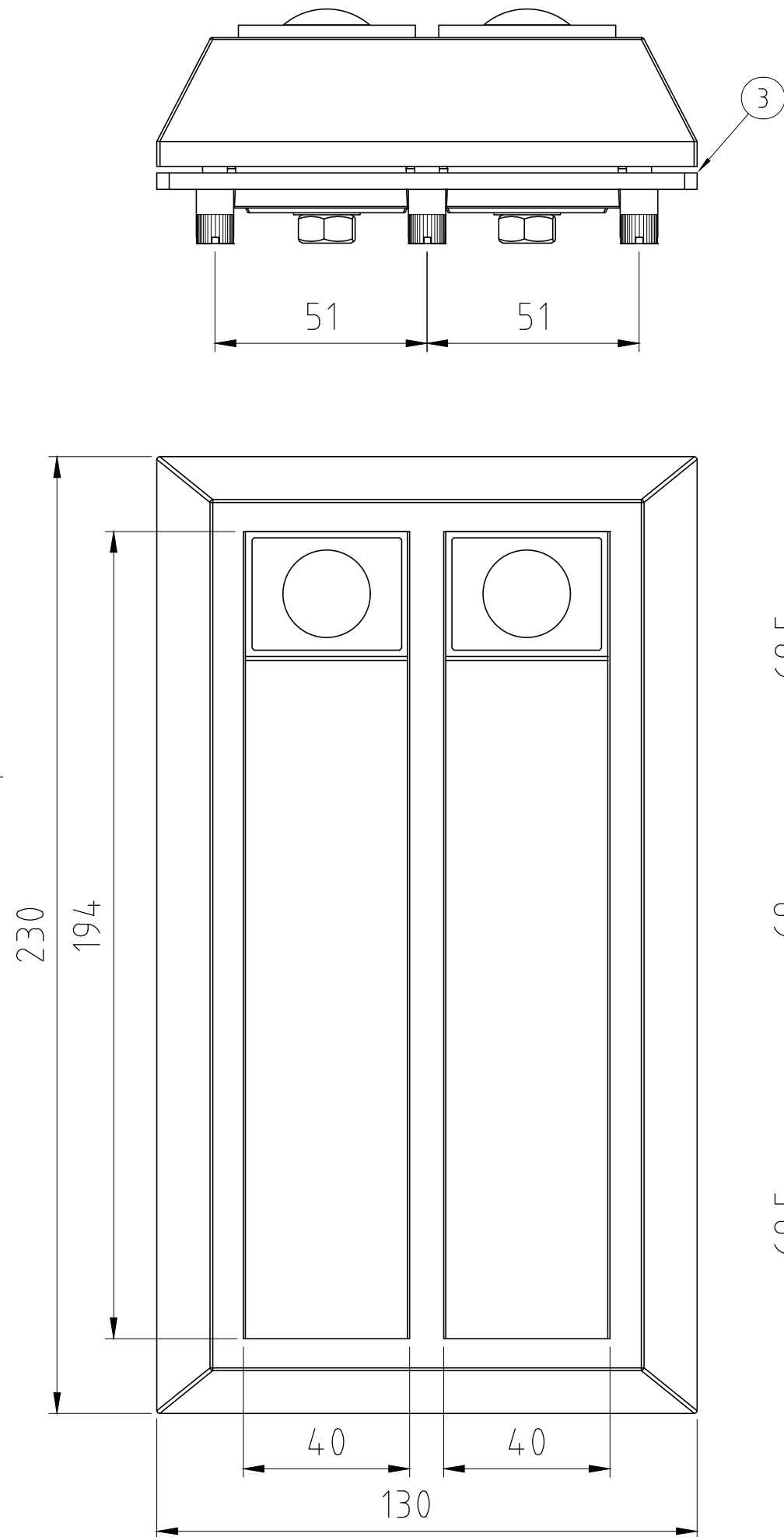


烙克赛克保留所有权利。未经授权严禁复制，使用以及向第三方泄漏。

All rights reserved. Unauthorized reproduction, use or disclosure to third parties is strictly forbidden.

Rev 2.0



MAX WALL THICKNESS = 4MM
PACKING SPACE 2x(40x160)

Item	Qty	Designation	Specification	Net Weight
7	1	LUBRICANT	TALLOW 25ml	
6	1	INSTALLATION INSTRUCTION		
5	1	GROUND LUG KIT		
4	10	NUT 9x14xM6 A4-70	ACID PROOF STAINLESS STEEL	
3	1	COUNTER FRAME CF 32	NICKEL PLATED ALUMINIUM	
2	2	CF 8/32 COMPRESSION UNIT BG/PE AISI316	ROXYLON	
1	1	CF 32 BG FRAME	NICKEL PLATED ALUMINIUM	

General tolerances used for manufacturing shown in document DOC-00288		Designed by	Created Date	Latest save date	Format	Scale	Sheet no	Net Weight
		se-olagus	2017-11-22	2021-02-04	A2	1:1		-
		Title		Projection method				
		CF 32 BG ASSEMBLY FRAME		First angle				
		Restricted due to		Drawing number		Rev		
		Information drawing		S1528148		C		

Rev	Type of revision	Date	Sign
C	ADD PACKING SPACE AND MAX WALL T	2020-12-14	se-mikgru