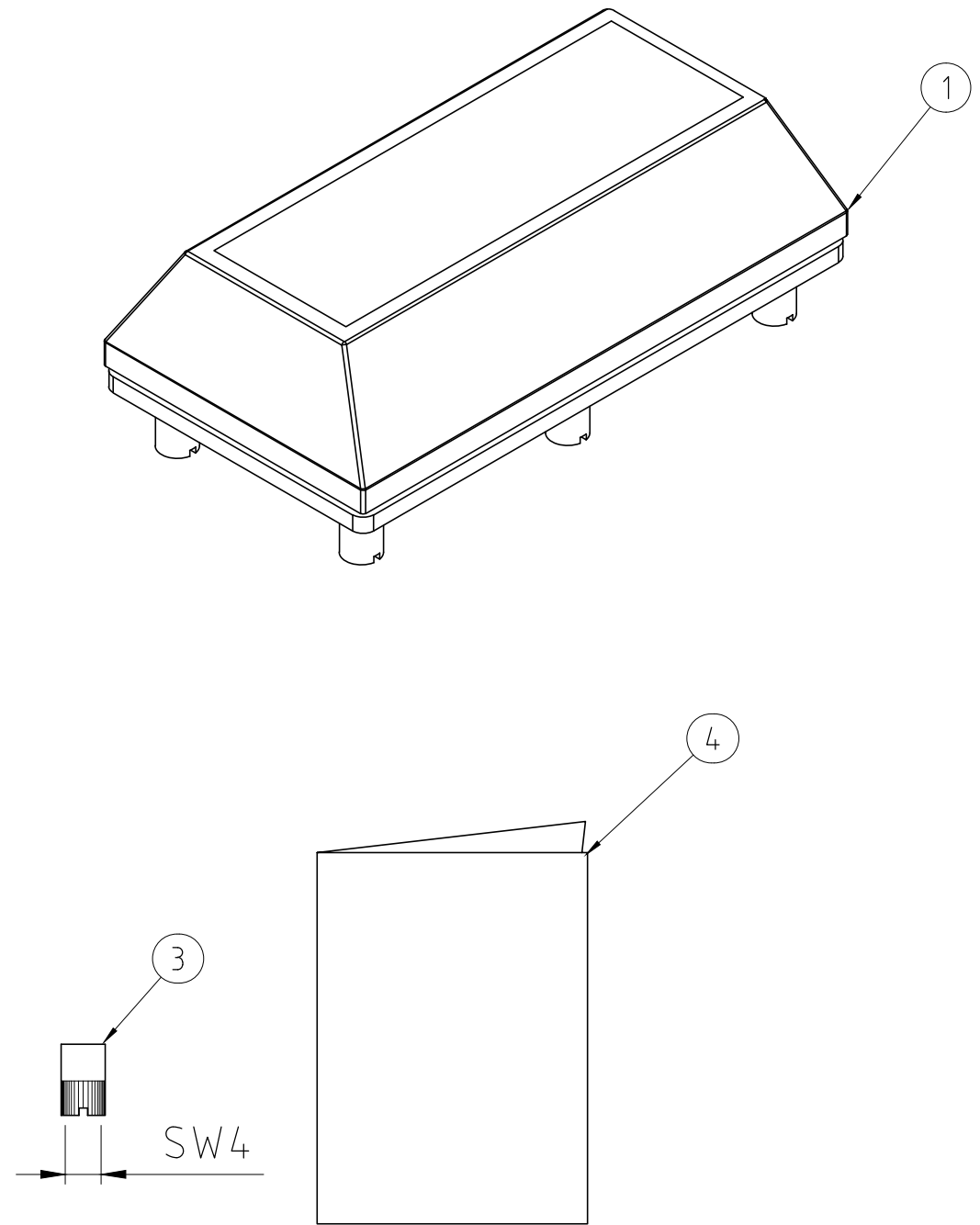
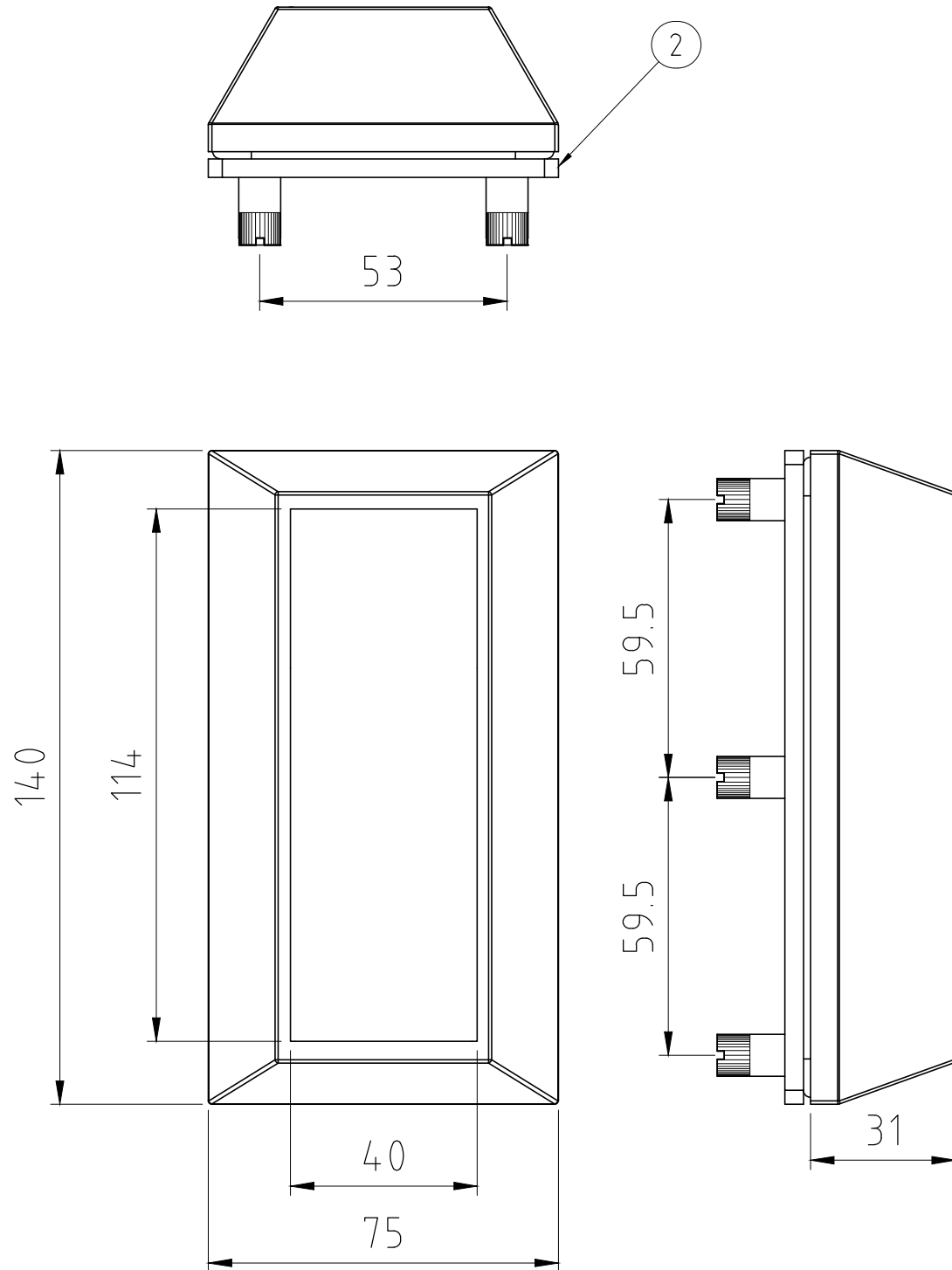


烙克赛克保留所有权利。未经授权严禁复制，使用以及向第三方泄漏。

All rights reserved. Unauthorized reproduction, use or disclosure to third parties is strictly forbidden.

Rev 2.0



MAX WALL THICKNESS = 4MM  
PACKING SPACE 40x80

4	1	INSTALLATION INSTRUCTION								
3	6	NUT 9x14xM6 A4-70	ACID PROOF STAINLESS STEEL							
2	1	COUNTER FRAME CF 8	NICKEL PLATED ALUMINIUM							
1	1	CF 8 EMC FRAME	NICKEL PLATED ALUMINIUM							
Item Qty		Designation		Specification				Net Weight		
General tolerances used for manufacturing shown in document DOC-00280				Designed by	Created Date	Latest save date	Format	Scale	Sheet no	Net Weight
				se-olagus	2017-11-22	2021-02-04	A2	1:1		-
Title		Projection method								
CF 8 EMC										
www.roxtec.com		Restricted due to				Drawing number		Rev		
		Information drawing				S1528147		B		

B	ADD PACKING SPACE AND MAX WALL T	2020-12-14	se-mikgru
Rev	Type of revision	Date	Sign