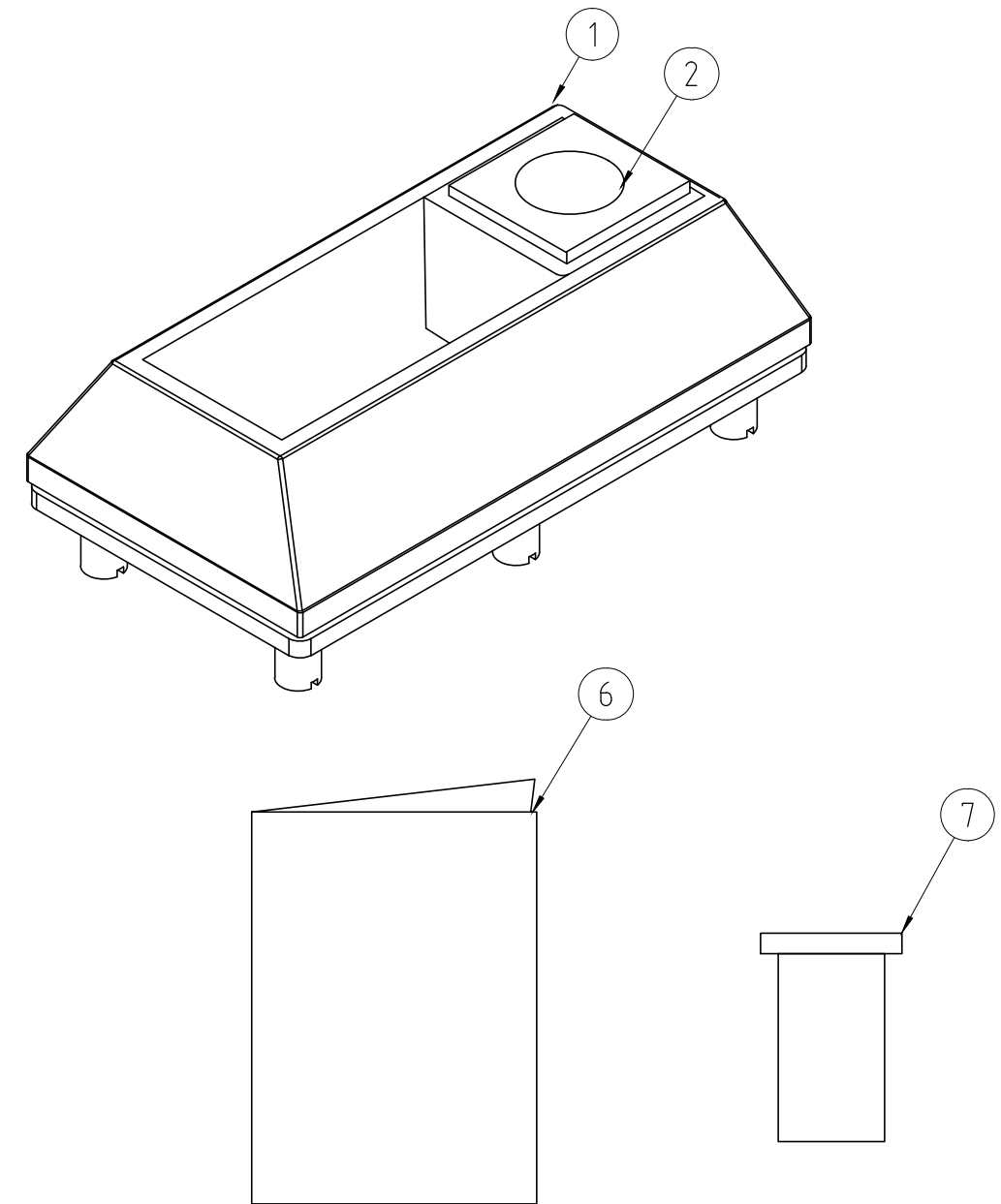
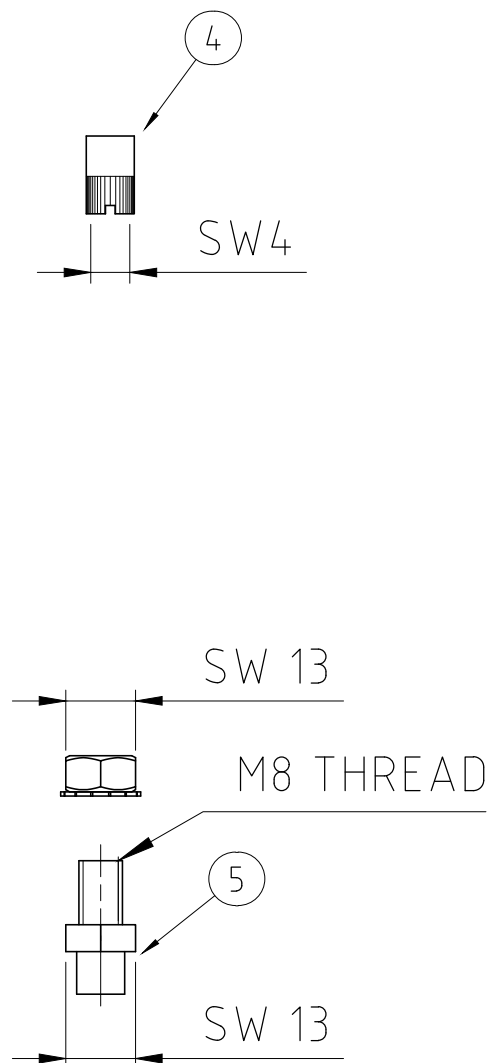
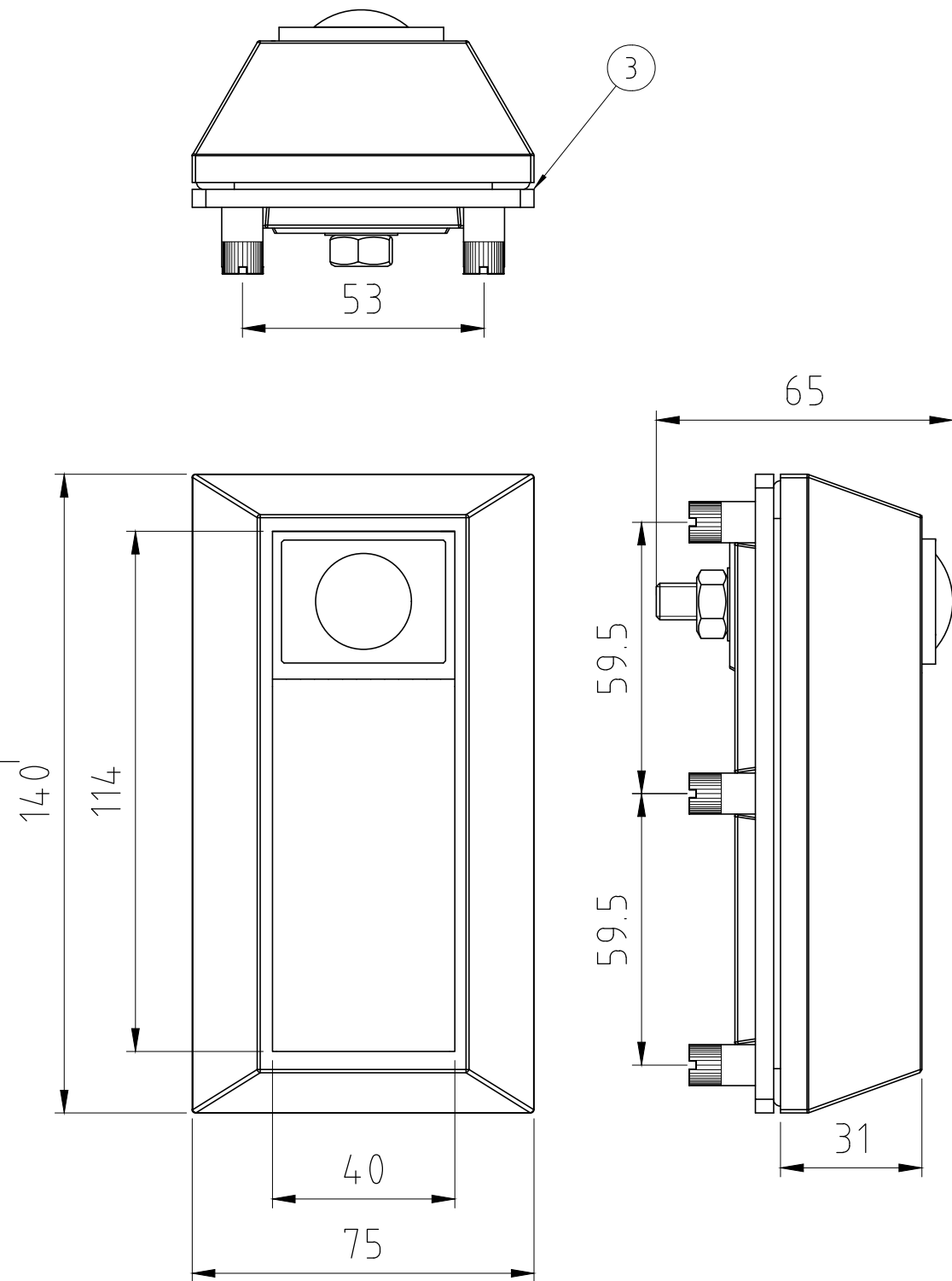


烙克赛克保留所有权利。未经授权严禁复制，使用以及向第三方泄漏。

All rights reserved. Unauthorized reproduction, use or disclosure to third parties is strictly forbidden.

Rev 2.0



△ MAX WALL THICKNESS = 4MM
PACKING SPACE 40x80

Item	Qty	Designation	Specification	Net Weight
7	1	LUBRICANT	TALLOW 10ml	
6	1	INSTALLATION INSTRUCTION		
5	1	GROUND LUG KIT		
4	6	NUT 9x14xM6 A4-70	ACID PROOF STAINLESS STEEL	
3	1	COUNTER FRAME CF 8	NICKEL PLATED ALUMINIUM	
2	1	CF 8/32 COMPRESSION UNIT BG/PE AISI316	ROXYLON	
1	1	CF 8 BG FRAME	NICKEL PLATED ALUMINIUM	
General tolerances used for manufacturing shown in document DOC-00288				
Designed by		Created Date	Latest save date	Format
se-olagus		2017-11-22	2021-02-03	A2
Title		Scale	Sheet no	Net Weight
CF 8 BG ASSEMBLY FRAME		1:1		-
Restricted due to		Projection method	Rev	
Information drawing		First angle		
www.roxtec.com		Drawing number		
		S1528146		

Rev	Type of revision	Date	Sign
C	ADD PACKING SPACE AND MAX WALL T	2020-12-14	se-mikgru

Information drawings show general design and nominal dimensions if not else stated