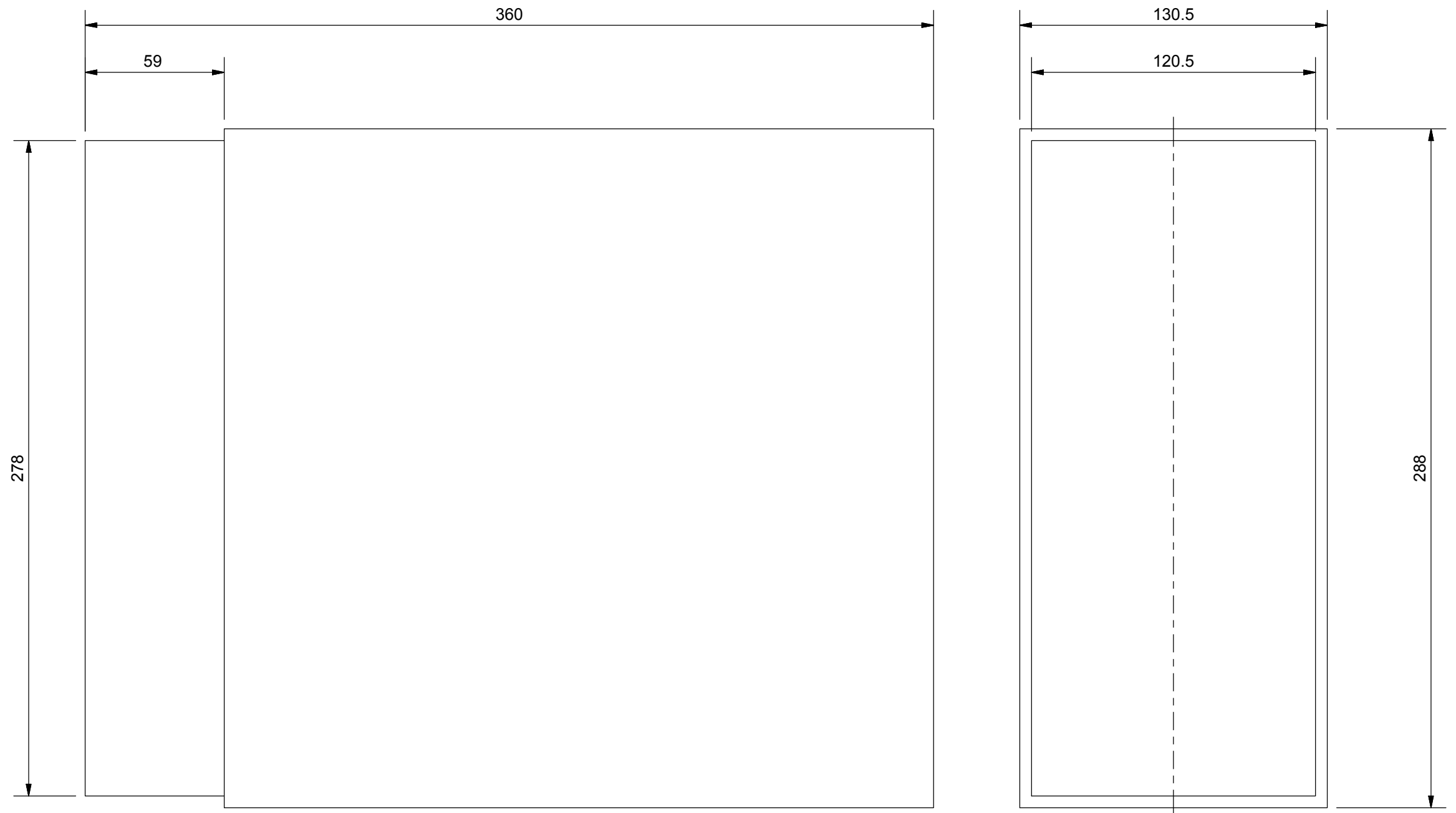
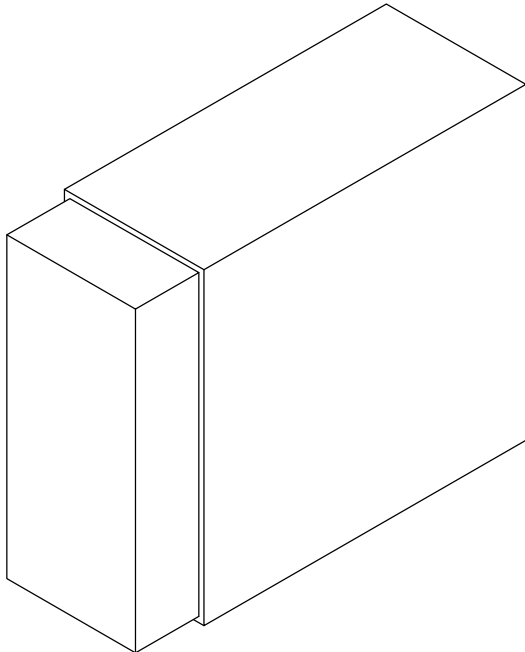

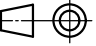


烙克赛克保留所有权利。未经授权严禁复制，使用以及向第三方泄露。

All rights reserved. Unauthorized reproduction, use or disclosure to third parties is strictly forbidden.



A		2017-10-16	se-jenboh
Rev	Type of revision	Date	Sign

General tolerance: ISO 2768-1/2-m/K EN ISO 13920-BF	Welded details: EN ISO 5817-B EN ISO 10042-B	General surface roughness: Ra 12.5	Designed by/date se-olagus 2017-10-16	Latest save date 2017-10-17	Format A3	Scale	Sheet no 1 / 1	TotWeight N/A
 <a href="http://www.roxtec.com">www.roxtec.com</a>			Title CASTING MOULD SIZE 8				Projection method 	
			Restricted due to Information drawing			Drawing number S1527138		Rev A