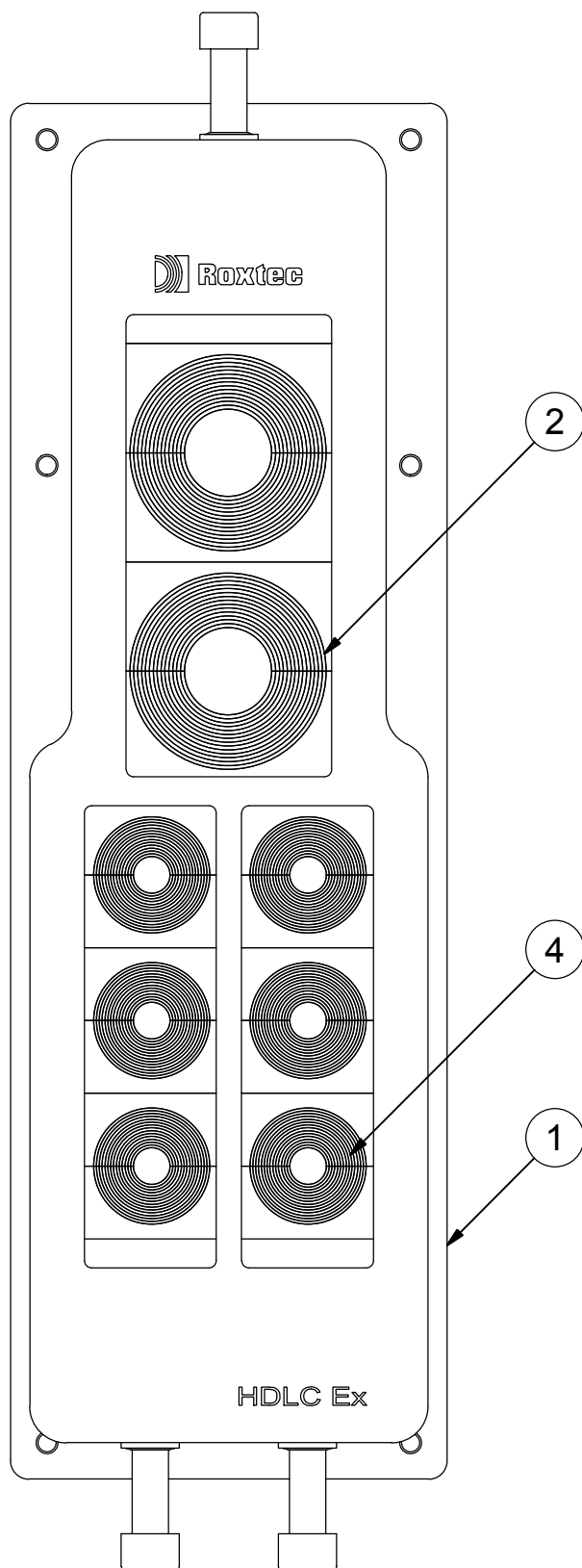
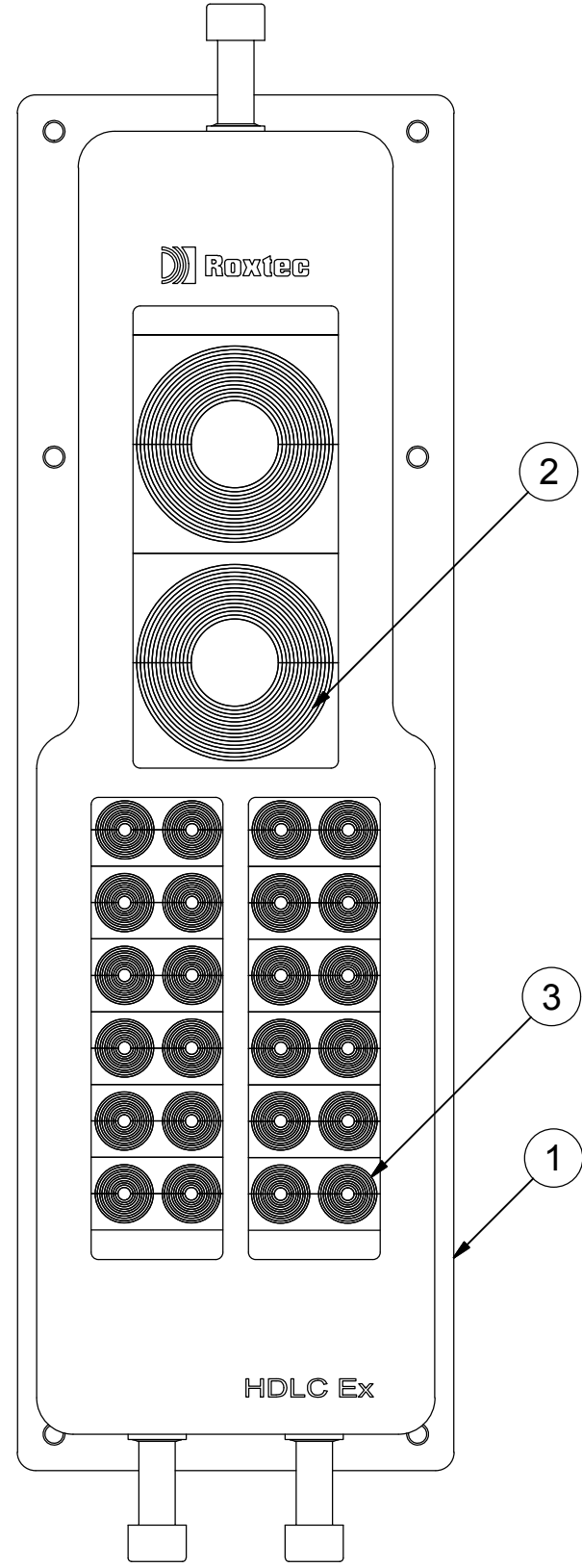


烙克赛克保留所有权利。未经授权严禁复制，使用以及向第三方泄漏。

All rights reserved. Unauthorized reproduction, use or disclosure to third parties is strictly forbidden.



HDLC BG Ex 6+2	
PCS	MODULES
6	RX 40 10-31 BG B
2	RX 60 BG B



HDLC BG Ex 24+2	
PCS	MODULES
12	RX 20w40 BG B
2	RX 60 BG B

4	6	RX 40 10-31 BG B	RANGE \varnothing 0+9.5-31
3	12	RX 20w40 BG B	RANGE \varnothing 0+4-15.5 (x2)
2	2	RX 60 BG B	RANGE \varnothing 0+24-52
1	1	HDLC Ex FRAME	S1519140

ITEM	QTY	Designation	Specification	Weight
General tolerance:		Welded details:	General surface roughness:	Designed by/date
ISO 2768-1/2-m/K		EN ISO 5817-B	Ra 12.5	se-danstr 2017-02-22
EN ISO 13920-BF		EN ISO 10042-B		Latest save date
				2017-04-25
			Format	Scale
			A3	Sheet no
				1 / 1
				TotWeight
				N/A
				Projection method
				Rev
				A

A		2017-02-22	se-danstr
Rev	Type of revision	Date	Sign

Roxtec
www.roxtec.com

Title: HDLC BG Ex KITS
 Restricted due to: Information drawing
 Drawing number: S1519909