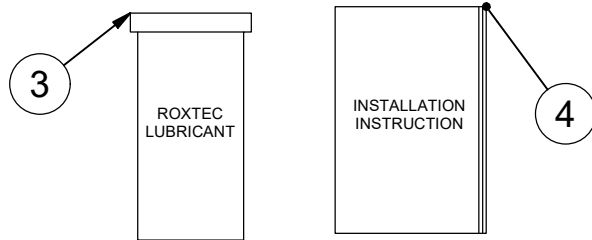
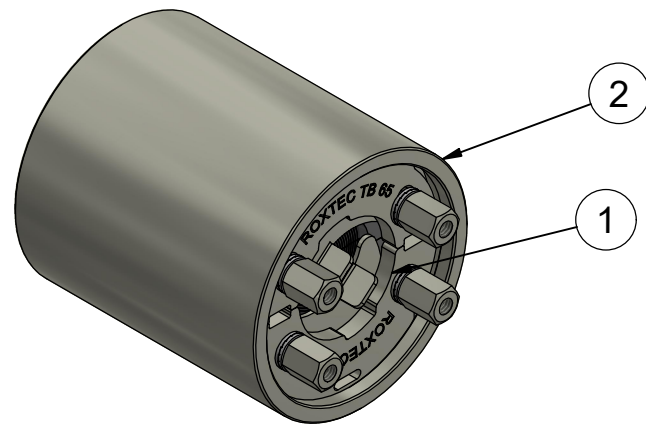
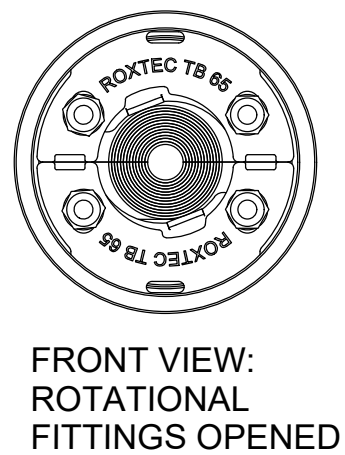
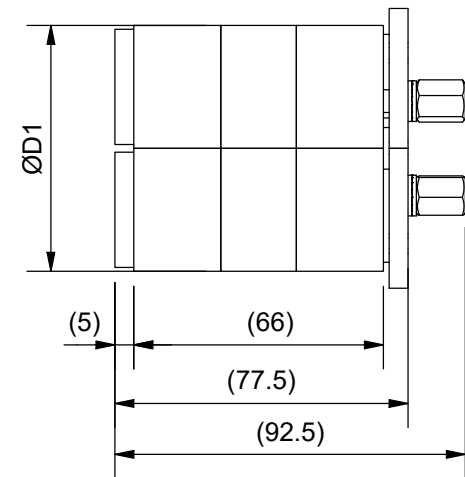
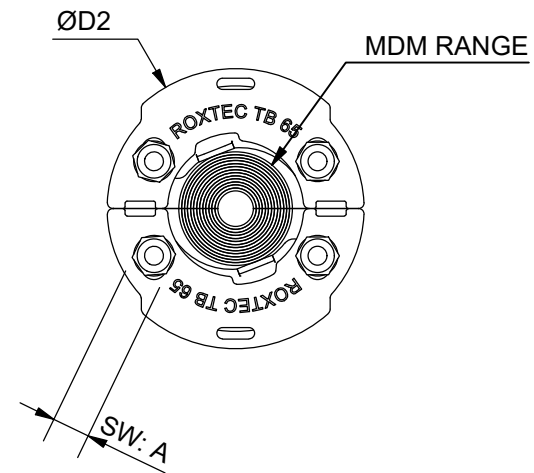
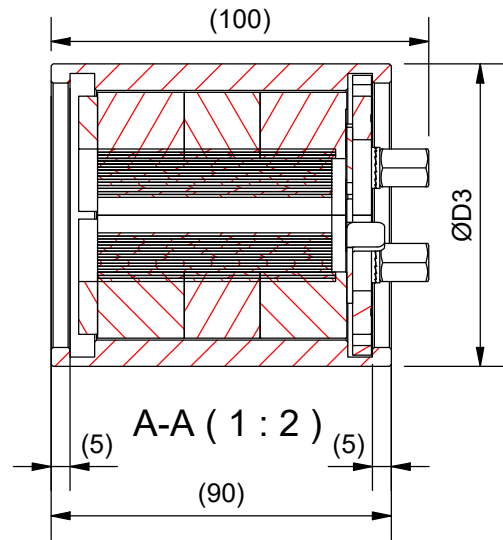
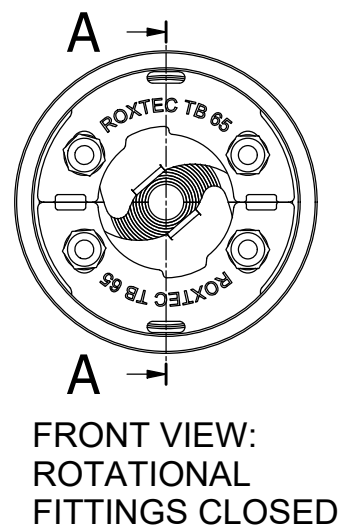


SIZE	ØD1 (mm)	ØD2 (mm)	ØD3 (mm)	MDM RANGE	A (mm)
TB 65 WOC	65	74	80	Ø8-30	10
TB 105 WOC	105	114	120	Ø24-54	13

TB 65 KIT WOC & TB 105 KIT WOC



NOTE: THE NAME STANDARD OF THE KIT IS ACCORDING TO:
TB+SIZE+COMPONENT MATERIAL +WOC/SLEEVE MATERIAL

EXAMPLE: TB 65 KIT AISI316 WOC/PRIMED

ITEM	QTY	Designation	Specification	Weight
4	1	INSTALLATION INSTRUCTION		0
3	1	LUBRICANT	TALLOW	0
2	1	SLTB 65/SLTB 105		0
1	1	TB 65 WOC/TB 105 WOC	ROXYLON/ACID PROOF STAINLESS STEEL	0

General tolerances used for manufacturing shown in document DOC-002180		Designed by/date	Latest save date	Format	Scale	Sheet no	TotWeight
		se-micein	2017-02-08	A3		1 / 1	N/A
 www.roxtec.com		Title TB KIT TB 65 WOC & TB 105 WOC				Projection method 	
		Restricted due to Information drawing		Drawing number S1519489		Rev J	

J	DRAWING UPDATED, NO DESIGN CHANGE	2023-05-30	se-filsve
Rev	Type of revision	Date	Sign