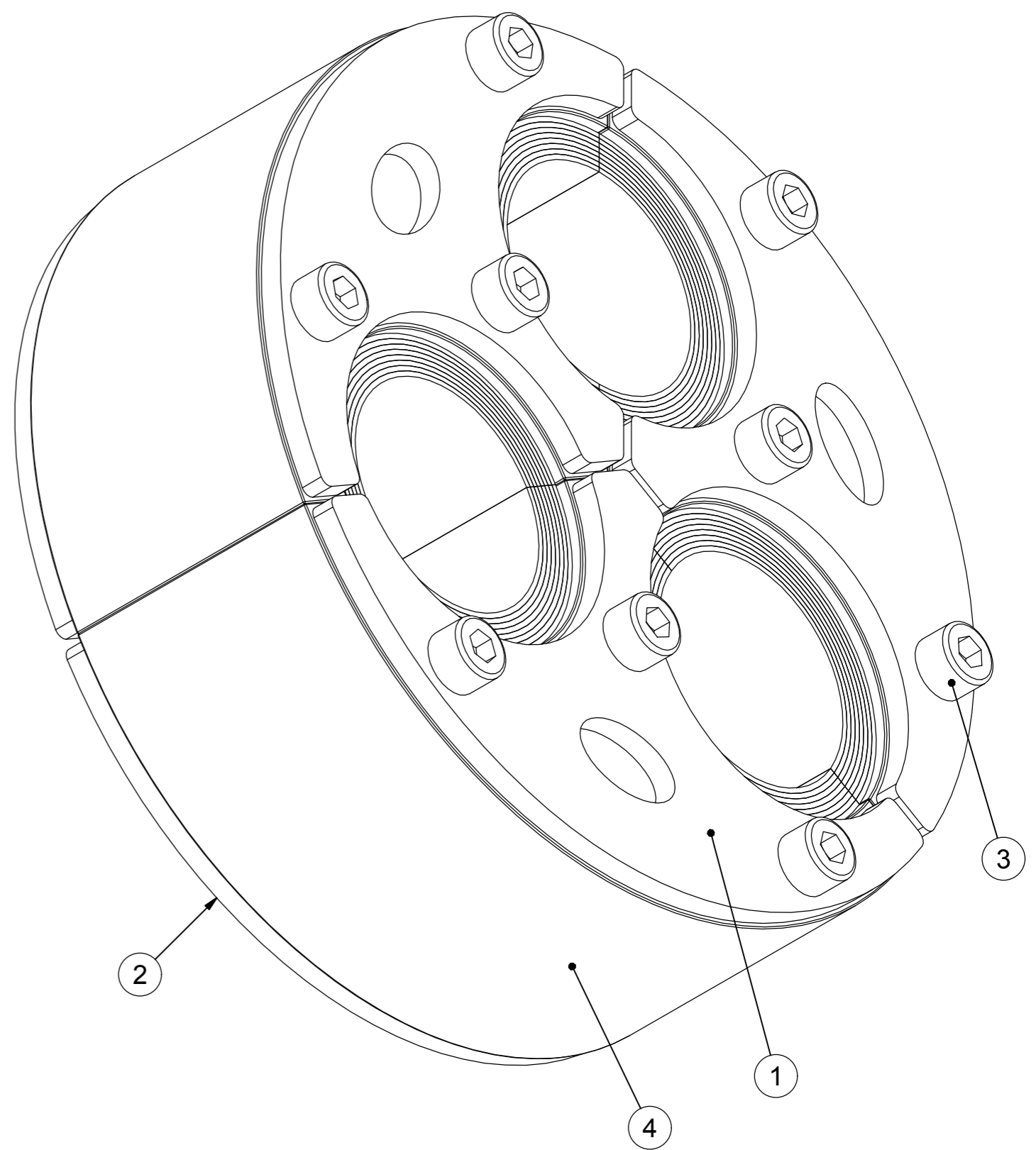
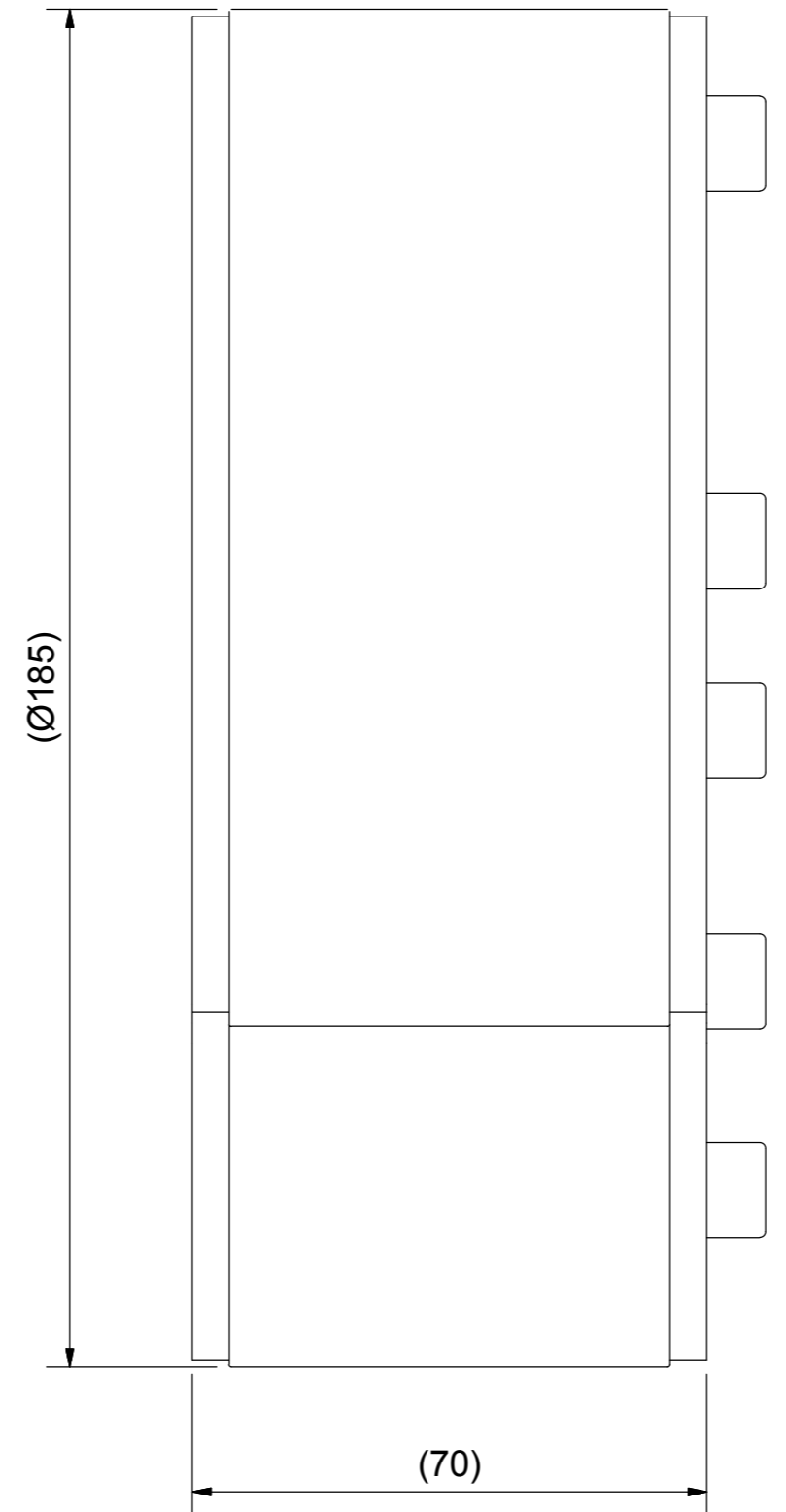
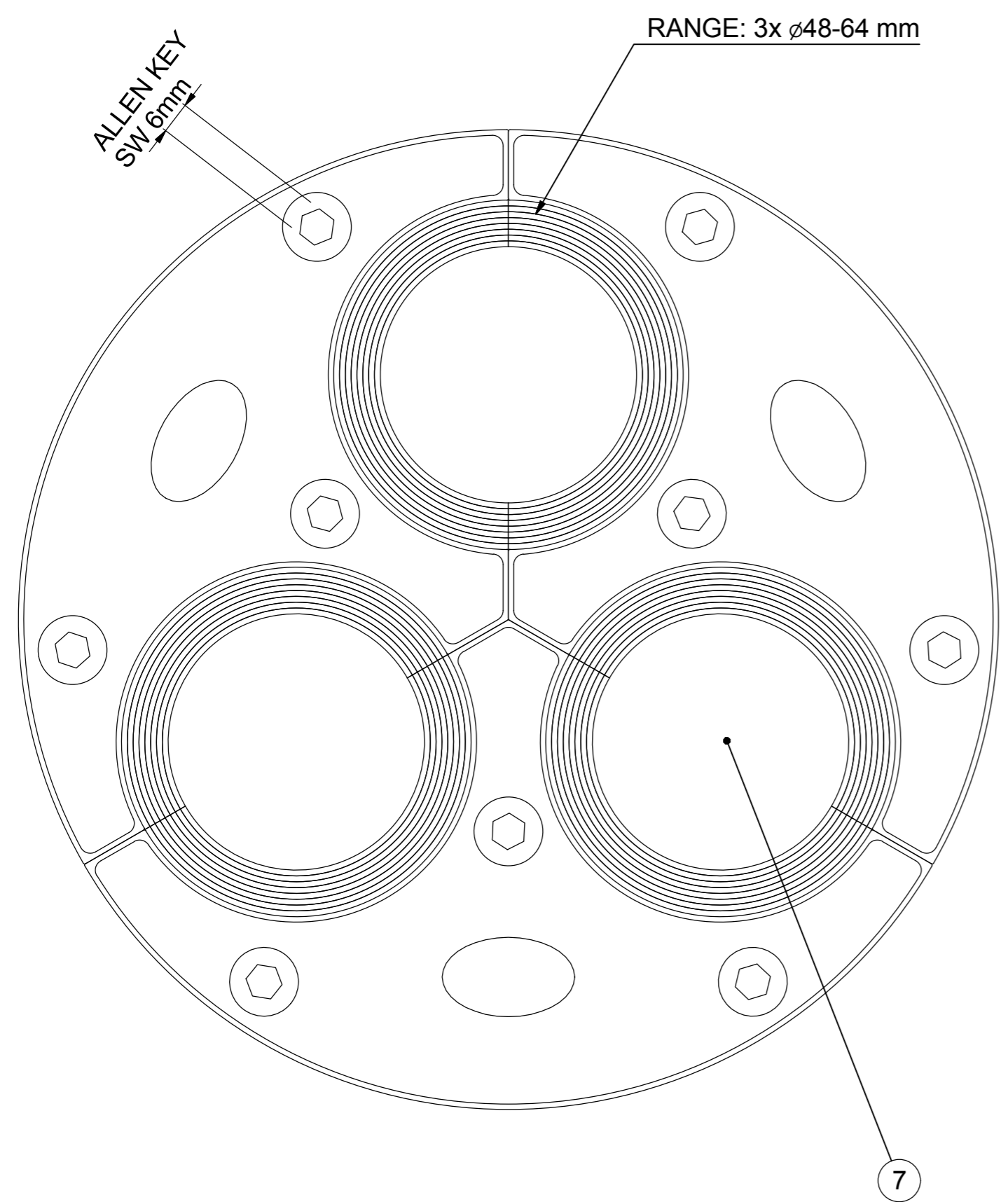
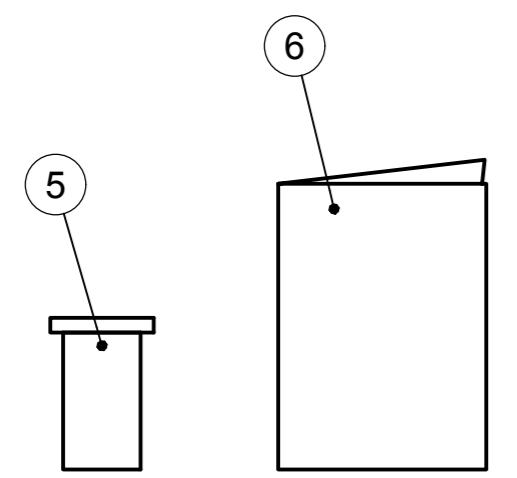


格克赛克保留所有权利。未经授权严禁复制，使用以及向第三方泄漏。

All rights reserved. Unauthorized reproduction, use or disclosure to third parties is strictly forbidden.



NOTE:
WOC VERSION IS WITHOUT
CENTER CORES



ITEM	QTY	Designation	Specification	Weight
7	3	CENTER CORES	ROXYLON, NOT IN WOC VERSIONS	
6	1	INSTALLATION INSTRUCTION		
5	1	LUBRICANT	TALLOW	
4	3	RUBBER FRAME	ROXYLON HE	
3	9	SCREW	ISO 4762 M8x70 A4	
2	3	REAR FITTING	T=5mm ACID PROOF STAINLESS STEEL	
1	3	FRONT FITTING	T=5mm ACID PROOF STAINLESS STEEL	

General tolerance: ISO 2768-1/2-m/K EN ISO 13920-BF	Welded details: EN ISO 5817-B EN ISO 10042-B	General surface roughness: Ra 12.5	Designed by/date xx-emikul 2017-02-06	Approved by/date	Format A2	Scale	Weight
			Title H3 UG SEALS H3 185 UG INSERTABLE		Projection method 		Rev A
www.roxtec.com			Restricted due to Information drawing		Drawing number S1519414		

A		2017-02-06	se-jenboh
Rev	Type of revision	Date	Sign