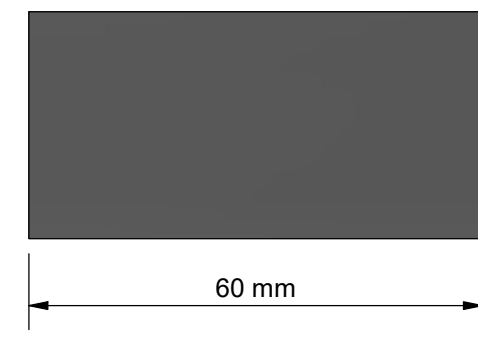
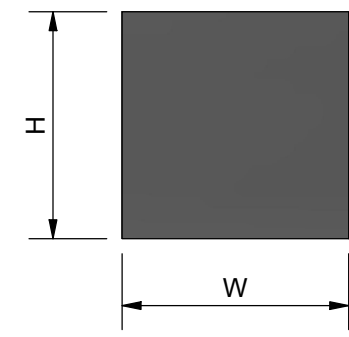


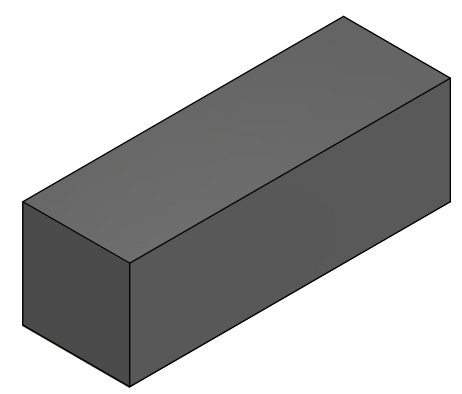
洛克赛克保留所有权利。未经授权严禁复制，使用以及向第三方泄漏。

All rights reserved. Unauthorized reproduction, use or disclosure to third parties is strictly forbidden.

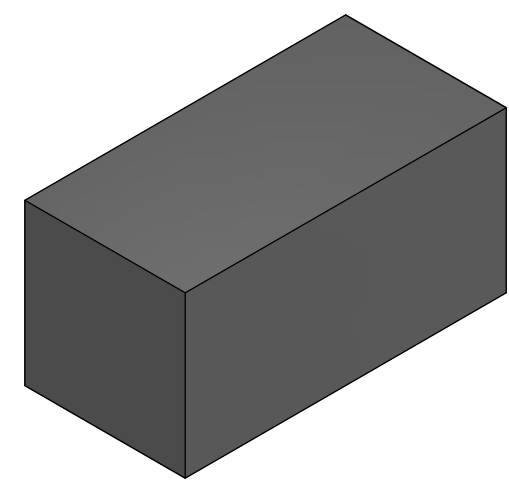
TYPE	H [mm]	W [mm]
RM 20/0 UG	20	20
RM 30/0 UG	30	30
RM 40/0 UG	40	40
RM 60/0 UG	60	60



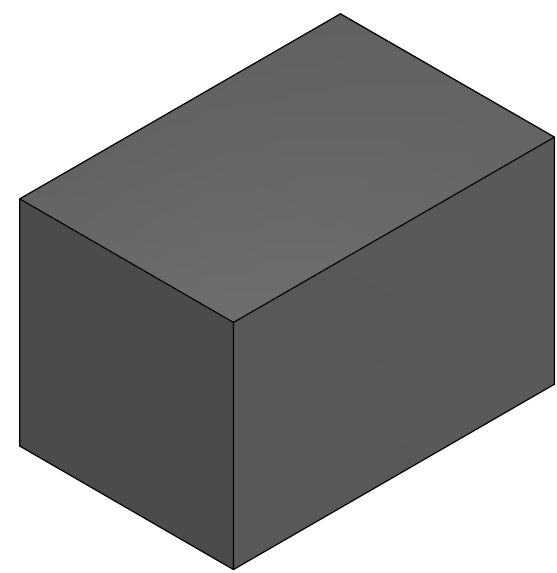
RM 20/0 UG



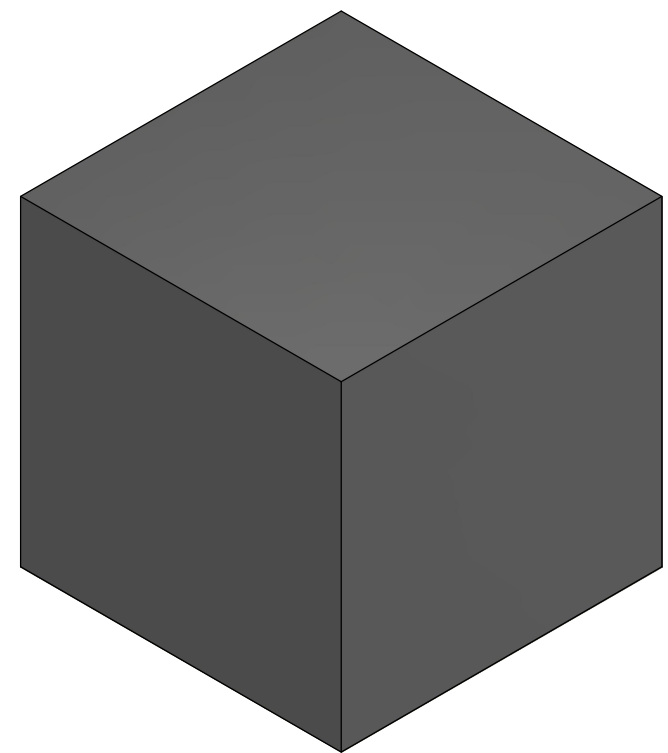
RM 30/0 UG




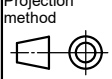
RM 40/0 UG



RM 60/0 UG



B	LAYOUT CHANGED	2024-06-28	se-marfre
Rev	Type of revision	Date	Sign

1	1	RUBBER PROFILE	ROXYLON							
ITEM	QTY	Designation	Specification			Weight				
General tolerance: ISO 2768-1/2-m/K EN ISO 13920-BF		Welded details: EN ISO 5817-B EN ISO 10042-B		General surface roughness: Ra 12.5	Designed by/date: se-larlar 2016-11-02	Latest save date: 2024-07-02	Format: A3	Scale:	Sheet no: 1 / 1	TotWeight
 <a href="http://www.roxtec.com">www.roxtec.com</a>		Title: RM UG MODULES SOLID MODULES						Projection method: 		
		Restricted due to: Information drawing			Drawing number: S1517191		Rev: B			