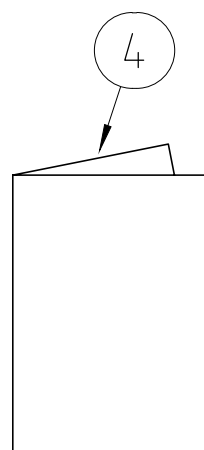
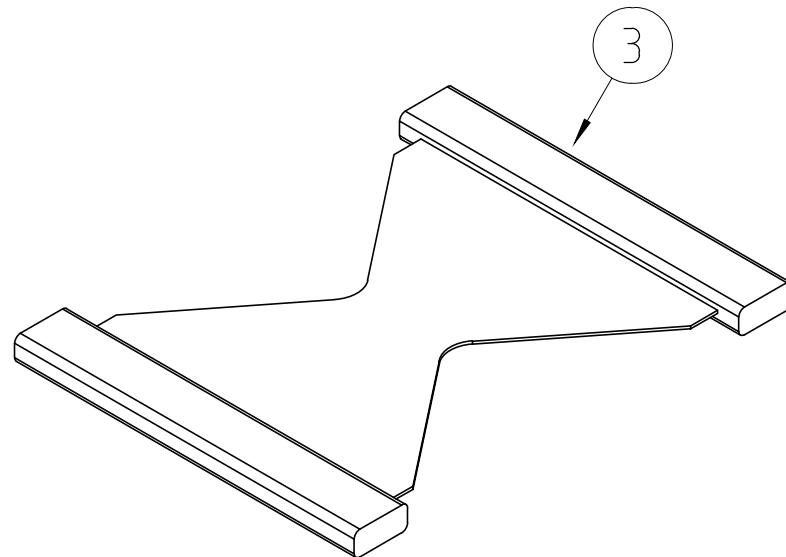
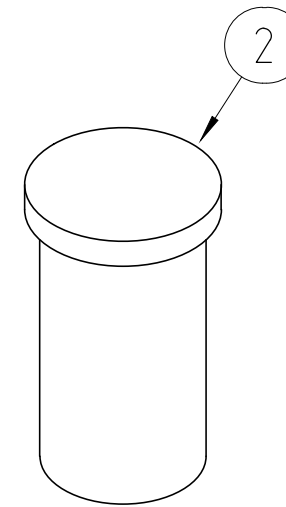
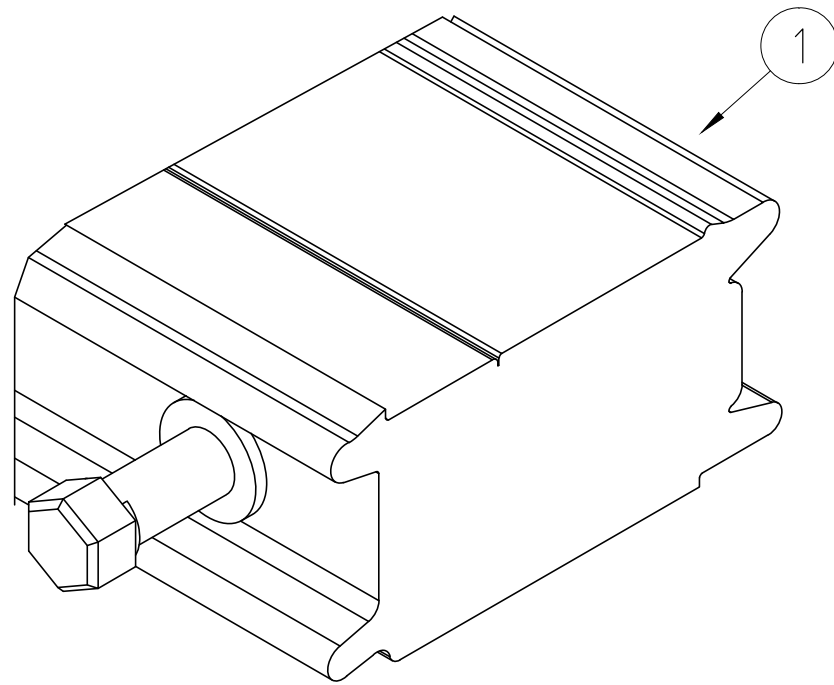

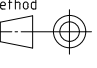


洛克赛克保留所有权利。未经授权严禁复制，使用以及向第三方泄漏。

All rights reserved. Unauthorized reproduction, use or disclosure to third parties is strictly forbidden.



NOTE:
ROXTEC WEDGE KIT IS AVAILABLE IN BOTH
GALVANIZED AND STAINLESS STEEL

4	1	INST. INSTRUCTION																	
3	5	STAYPLATE	GALVANIZED / ACID PROOF ST. STEEL																
2	1	LUBRICANT																	
1	1	WEDGE 60	GALVANIZED / ACID PROOF ST. STEEL																
Item	Qty	Designation	Specification							Net Weight									
General tolerance ISO 2768-1/2-m/K EN ISO 13920-BF		Welded details EN ISO 5817-B EN ISO 10042-B		General surface roughness, Ra 12,5		Designed by se-jenboh		Created Date 2016-10-20		Latest save date 2024-01-26		Format A3		Scale 1:1		Sheet no		Tot Weight -	
 Roxtec www.roxtec.com				Title WEDGE 60 WEDGE KIT						Projection method 									
				Restricted due to Information drawing						Drawing number S1516592						Rev C			

C		2024-01-26	se-parham
Rev	Type of revision	Date	Sign