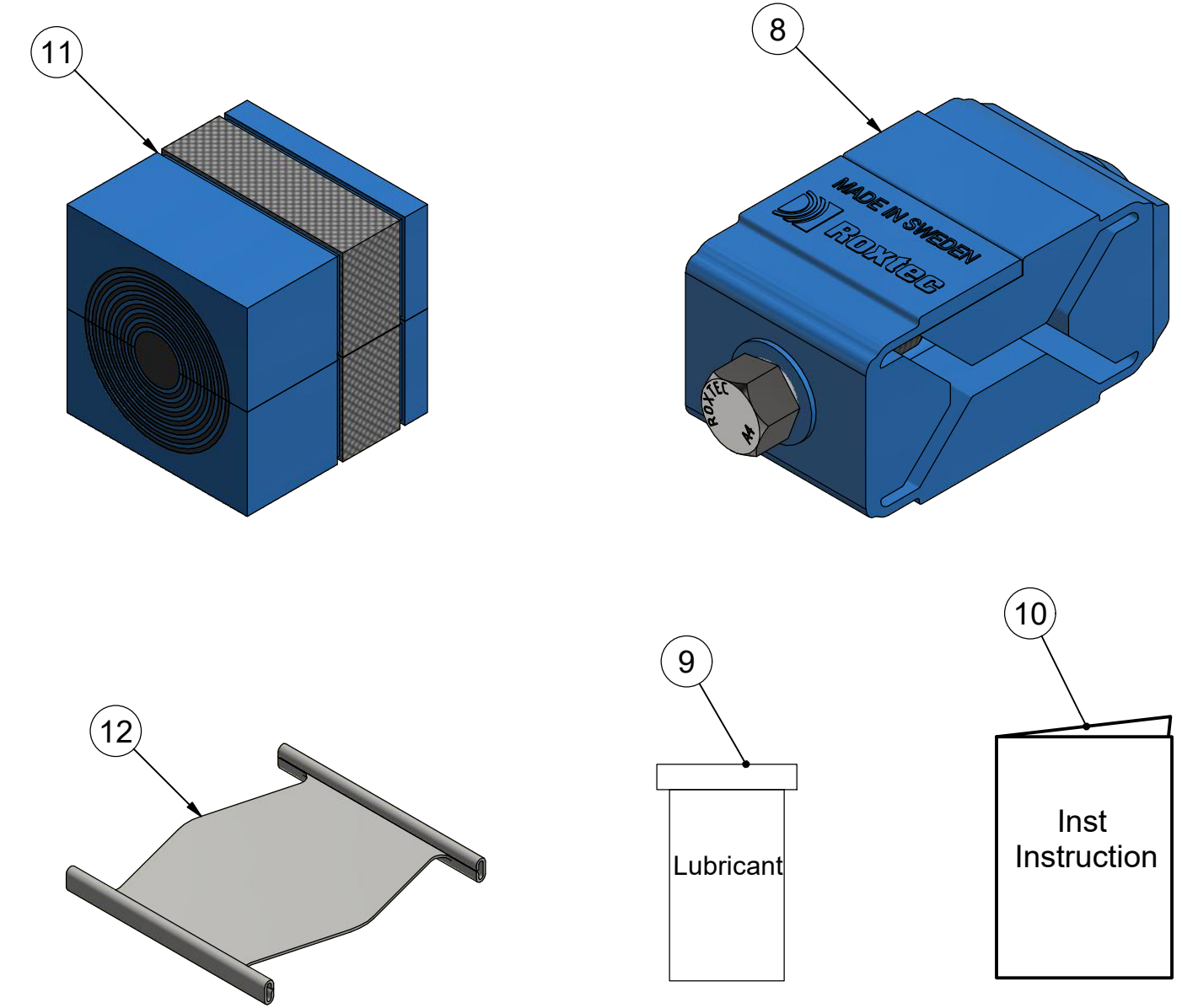
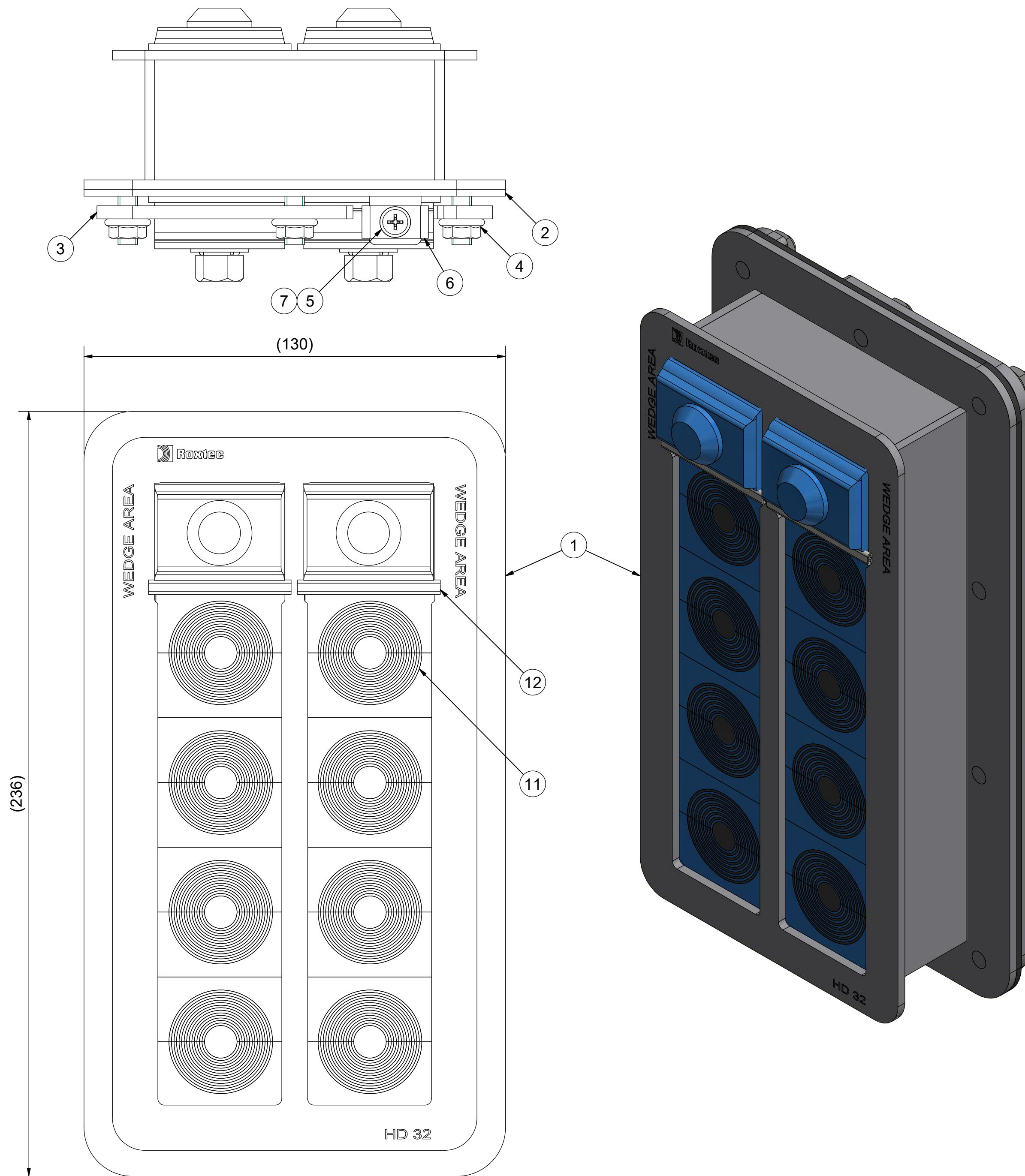


烙克塞克保留所有权利。未经授权严禁复制，
使用以及向第三方泄漏。

All rights reserved. Unauthorized reproduction, use
or disclosure to third parties is strictly forbidden



ITEM	QTY	Designation	Specification	Weight
12	2	STAYPLATE 40 HD	AISI 316L	
11	8	CM 40 10-32 BG B	RANGE \varnothing 0+9.5-31.5	
10	1	INSTALLATION INSTRUCTION		
9	1	LUBRICANT	25 ml	
8	2	C WEDGE 40	AISI 316	
7	1	SPRING WASHER	M5, A4	
6	1	SADDLE WASHER	AISI 316	
5	1	SCREW	M5x10, A4	
4	10	FLANGED NUT	M6, A4	
3	2	COUNTER FRAME	AISI 316L	
2	1	GASKET	EPDM CELLULAR RUBBER	
1	1	HD 32 FRAME	AISI 316L	

General tolerance:		Welded details:		General surface roughness:		Designation		Specification		Weight	
ISO 2768-1/2-m/K		EN ISO 5817-B		Ra 12.5		se-danstr 2016-06-01		Latest save date 2020-02-27		TotWeight N/A	
EN ISO 13920-BF		EN ISO 10042-B				Designed by/date		Format A2		Sheet no 1 / 1	
						Title		Scale		Projection method	
						www.roxtec.com		Restricted due to		Rev	
						HD 32/8 BG ASSEMBLY KIT		Information drawing		Drawing number S1513054	
										B	

Rev	Type of revision	Date	Sign
B	DRAWING NAMING CORRECTED	2020-02-27	se-mikgru