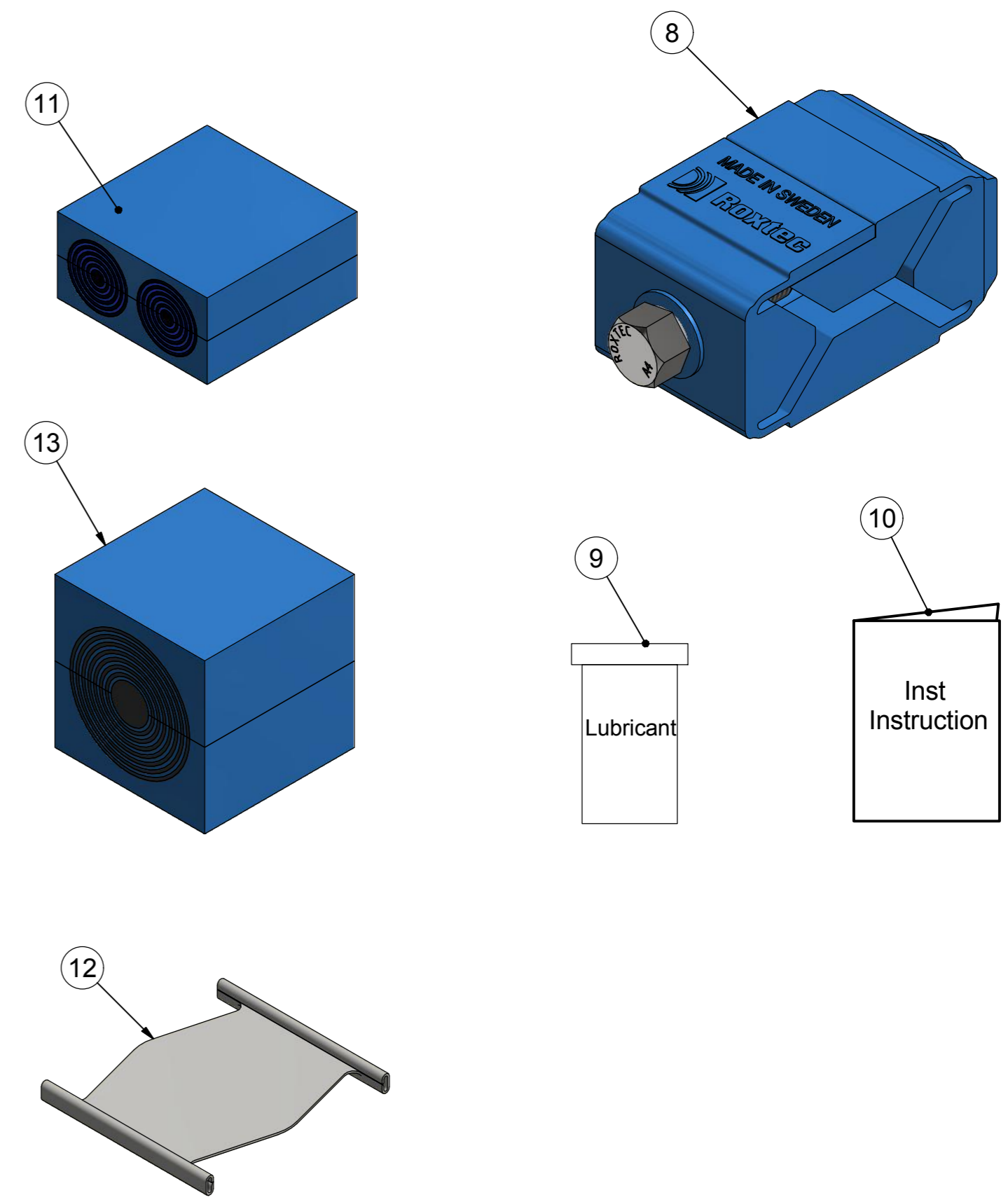
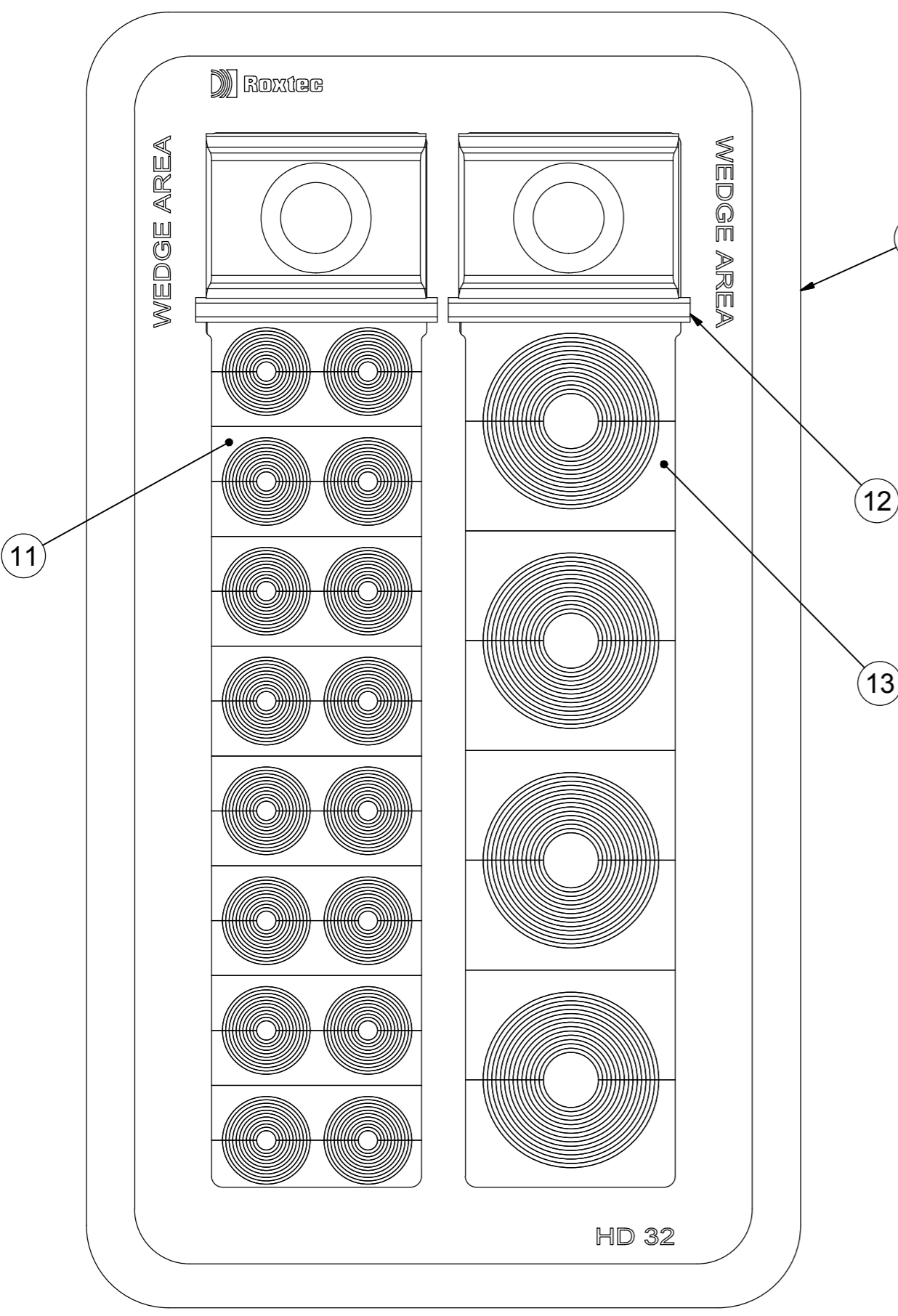
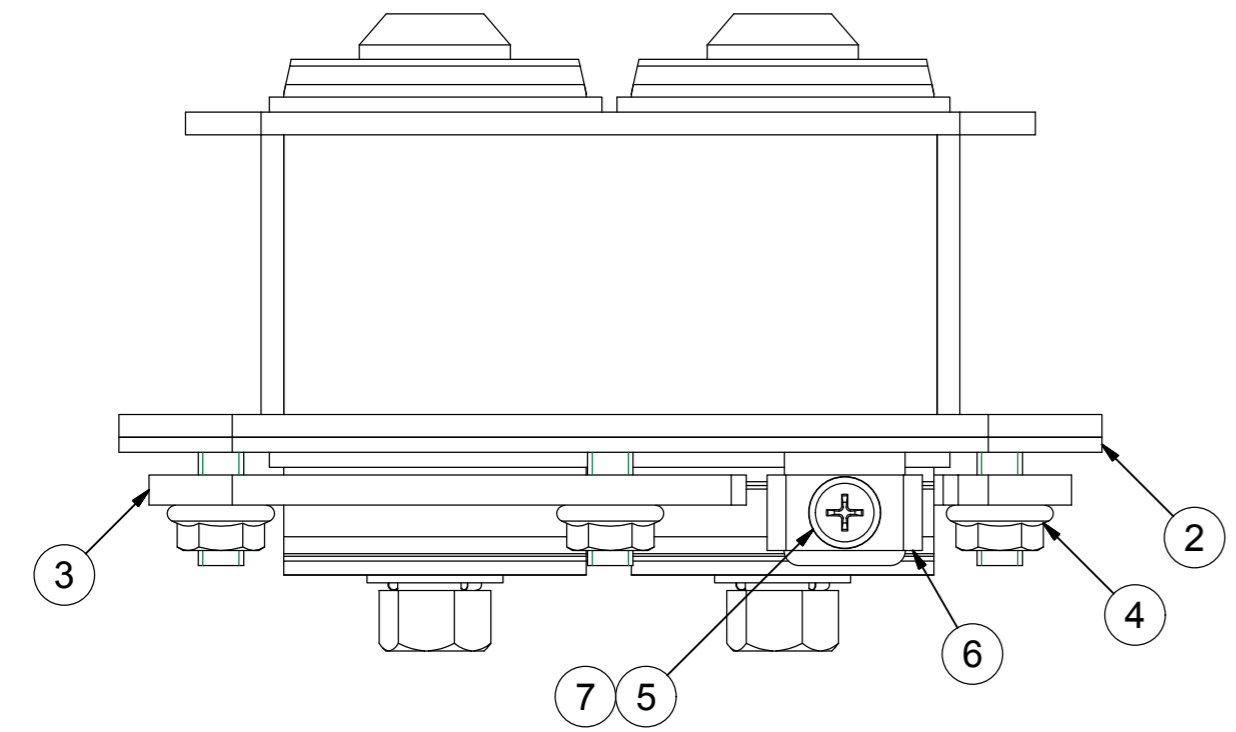


格克赛克保留所有权利。未经授权严禁复制，使用以及向第三方泄露。

All rights reserved. Unauthorized reproduction, use or disclosure to third parties is strictly forbidden.



ITEM	QTY	Designation	Specification	Weight
13	4	HD 40 10-32	RANGE \varnothing 0+9.5-31.5	
12	2	STAYPLATE 40 HD	AISI 316L, t=0,5mm	
11	8	HD 20w40	RANGE \varnothing 0+3.5-15.5	
10	1	INSTALLATION INSTRUCTION		
9	1	LUBRICANT	25 ml	
8	2	C WEDGE 40	AISI 316	
7	1	SPRING WASHER	M5, A4	
6	1	SADDLE WASHER	AISI 316	
5	1	SCREW	M5x10, A4	
4	10	FLANGED NUT	M6, A4	
3	2	COUNTER FRAME	AISI 316L	
2	1	GASKET	EPDM CELLULAR RUBBER	
1	1	HD 32 FRAME	AISI 316L	

General tolerance:		Welded details:		General surface roughness:		Designed by/date		Latest save date		Format		Scale		Sheet no		TotWeight	
ISO 2768-1/2-m/K		EN ISO 5817-B		Ra 12.5		se-danstr 2016-05-30		2016-05-30		A2				1 / 1		N/A	
EN ISO 13920-BF		EN ISO 10042-B				Title										Projection method	
						HD 32/20										Rev	
						ASSEMBLY KIT										A	
						Restricted due to										Drawing number	
						www.roxtec.com										S1512992	
						Information drawing											

Rev	Type of revision	Date	Sign
A		2016-05-30	se-danstr