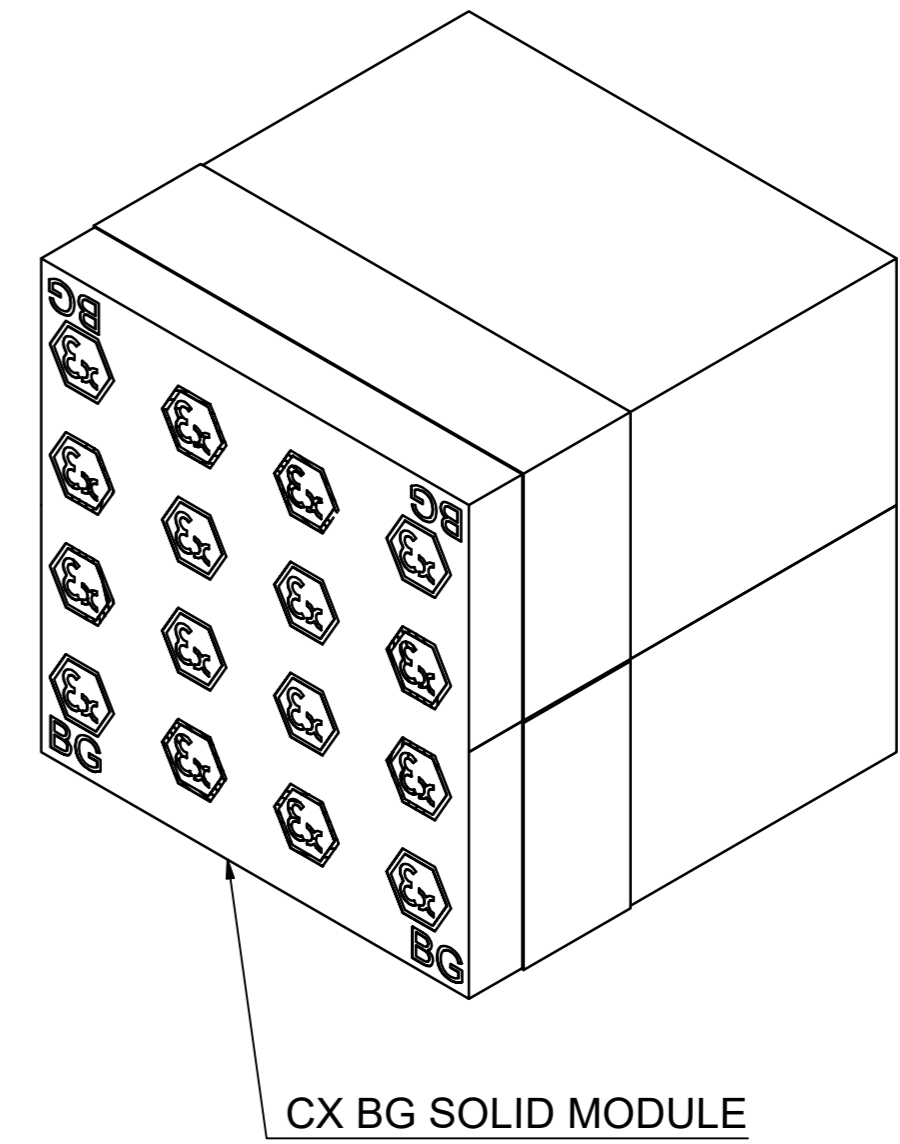
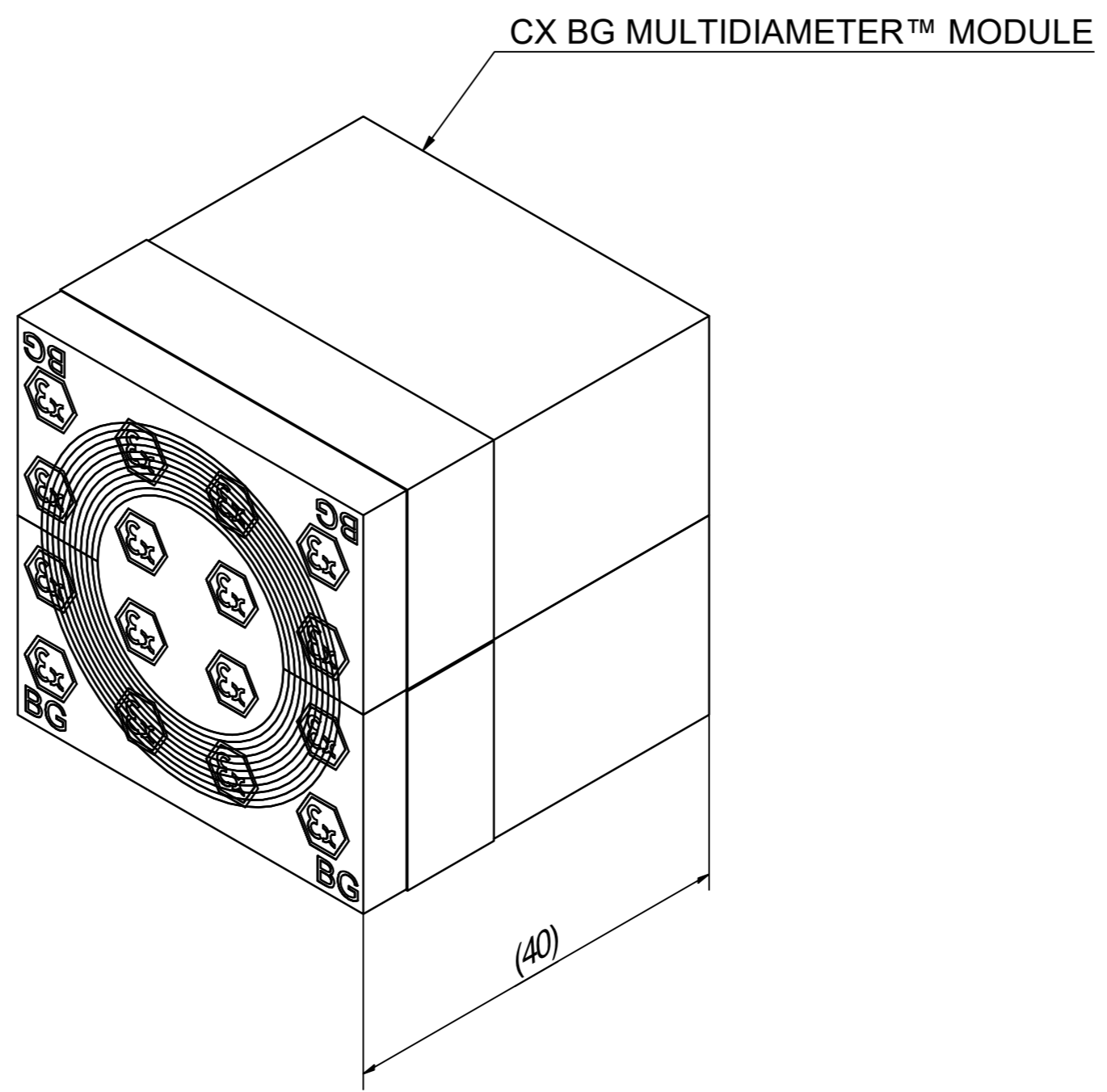
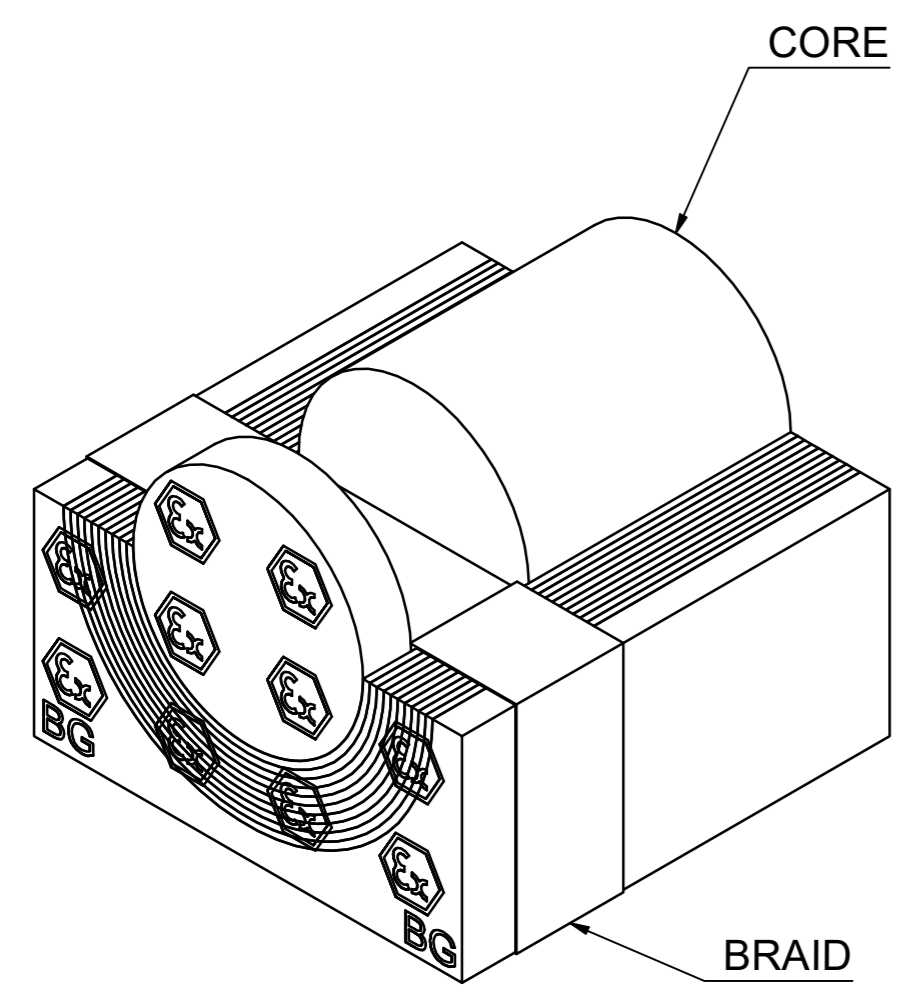
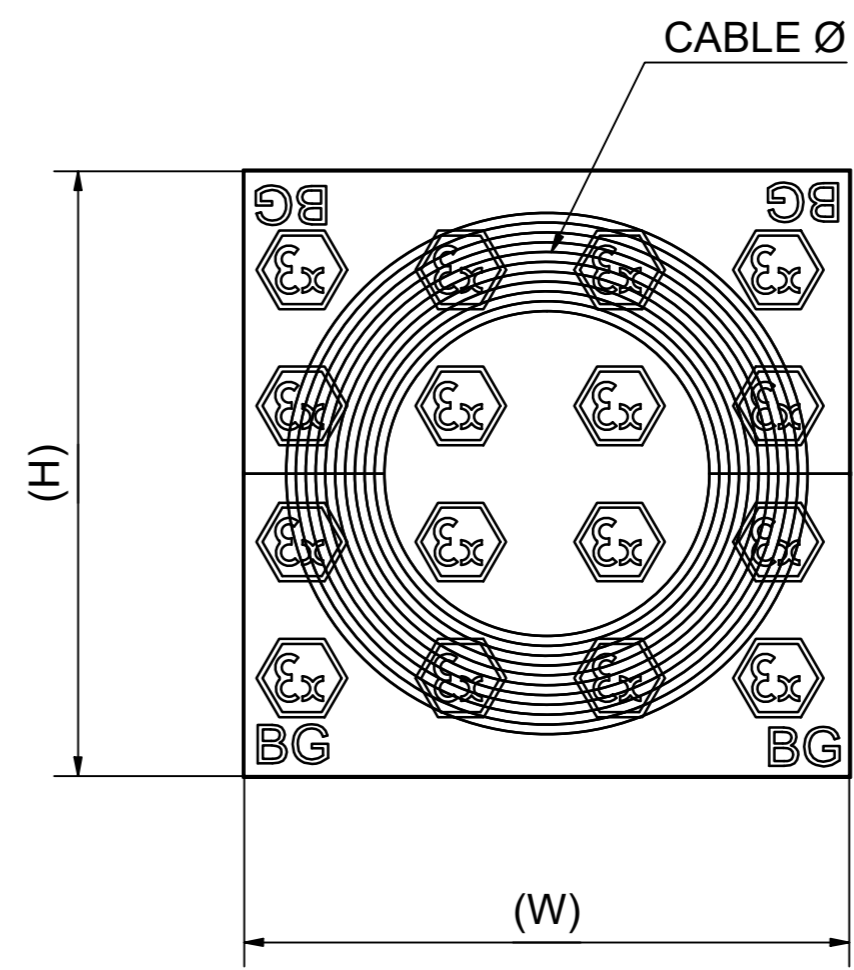


TYPE	W	H	CABLE Ø
CX BG (ROXYLON HE)	(mm)	(mm)	(mm)
CX 20 BG	20	20	0+4-13,5
CX 20w40 BG	20	40	0+4-15,5
CX 30w40 BG	30	40	0+10-24
CX 40 BG	40	40	0+21,5-33,5
CX 40 10-31 BG	40	40	0+9,5-31

B


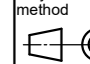
TYPE	W	H	CABLE Ø
CX BG SOLID (ROXYLON HE)	(mm)	(mm)	-
CX 5w40/0 BG	5	40	-
CX 10w40/0 BG	10	-	



洛克赛克保留所有权利。未经授权严禁复制，
 使用以及向第三方泄露。

All rights reserved. Unauthorized reproduction, use
 or disclosure to third parties is strictly forbidden.

B	CX 40 NAME AND RANGE CORRECTED	2020-11-12	se-henols
Rev	Type of revision	Date	Sign

General tolerance: ISO 2768-1/2-m/K EN ISO 13920-BF	Welded details: EN ISO 5817-B EN ISO 10042-B	General surface roughness: Ra 12,5	Designed by/date se-danstr 2016-04-12	Latest save date 2014-11-12	Format A2	Scale	Sheet no 1 / 1	TotWeight N/A
		CX BG MODULE ASSEMBLY		Title se-danstr		Drawing number S1511585		Projection method 
www.roxtec.com		Information drawing		Restricted due to		Rev B		