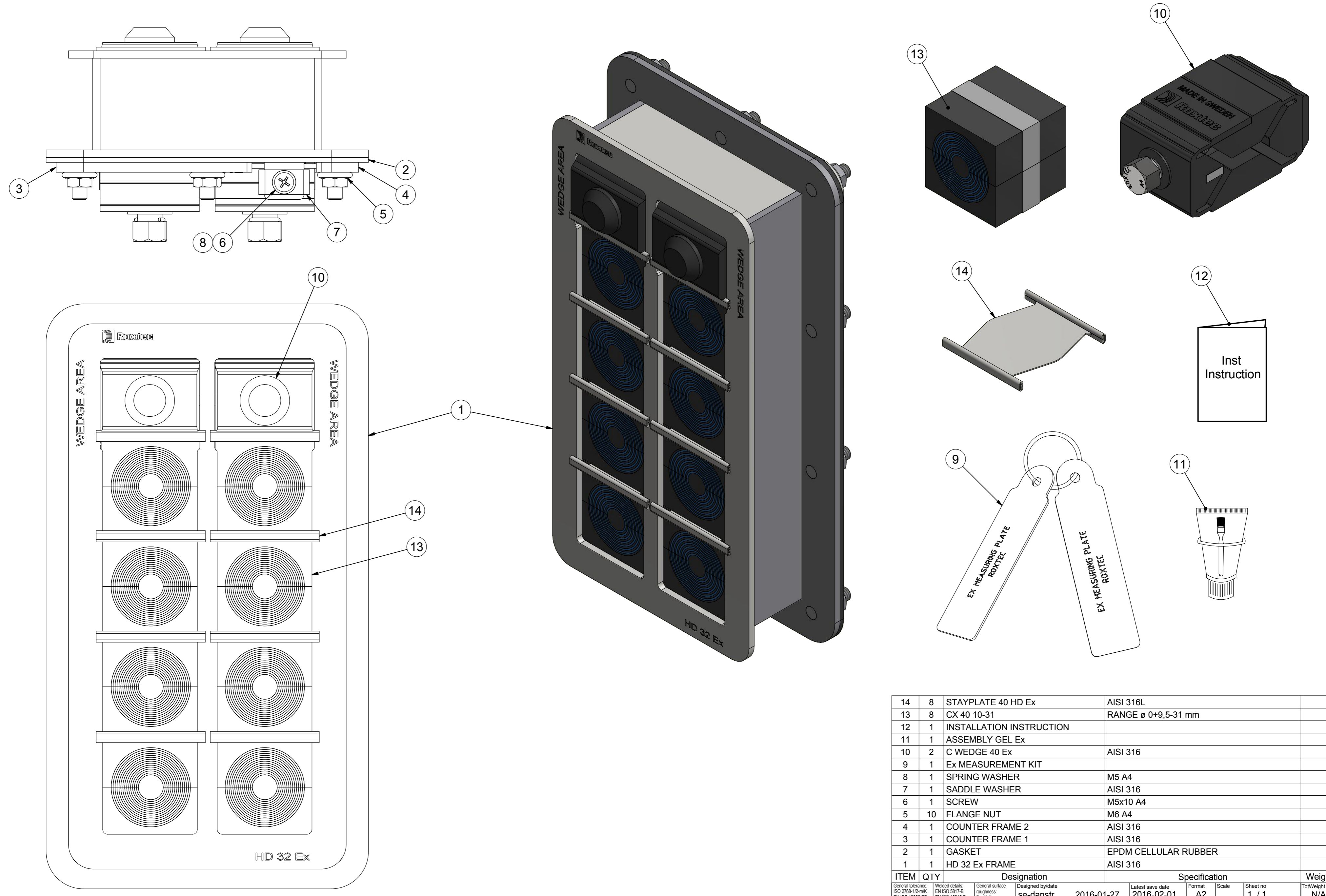


格克赛克保留所有权利。未经授权严禁复制，使用以及向第三方泄露。

All rights reserved. Unauthorized reproduction, use or disclosure to third parties is strictly forbidden.



ITEM	QTY	Designation	Specification	Weight
14	8	STAYPLATE 40 HD Ex	AISI 316L	
13	8	CX 40 10-31	RANGE \varnothing 0+9,5-31 mm	
12	1	INSTALLATION INSTRUCTION		
11	1	ASSEMBLY GEL Ex		
10	2	C WEDGE 40 Ex	AISI 316	
9	1	Ex MEASUREMENT KIT		
8	1	SPRING WASHER	M5 A4	
7	1	SADDLE WASHER	AISI 316	
6	1	SCREW	M5x10 A4	
5	10	FLANGE NUT	M6 A4	
4	1	COUNTER FRAME 2	AISI 316	
3	1	COUNTER FRAME 1	AISI 316	
2	1	GASKET	EPDM CELLULAR RUBBER	
1	1	HD 32 Ex FRAME	AISI 316	

General tolerance: ISO 2768-1/2-m/K	Welded details: EN ISO 5817-B	General surface roughness: EN ISO 10042-B	Designed by/date se-danstr 2016-01-27	Latest save date 2016-02-01	Format A2	Scale 1 / 1	Sheet no 1 / 1	TotWeight N/A
		HD 32/8 Ex ASSEMBLY KIT		Title Restricted due to Information drawing		Drawing number S1509409		Projection method
www.roxtec.com		Rev A		Rev A		Rev A		Rev A

A		2016-01-27	se-danstr
Rev	Type of revision	Date	Sign