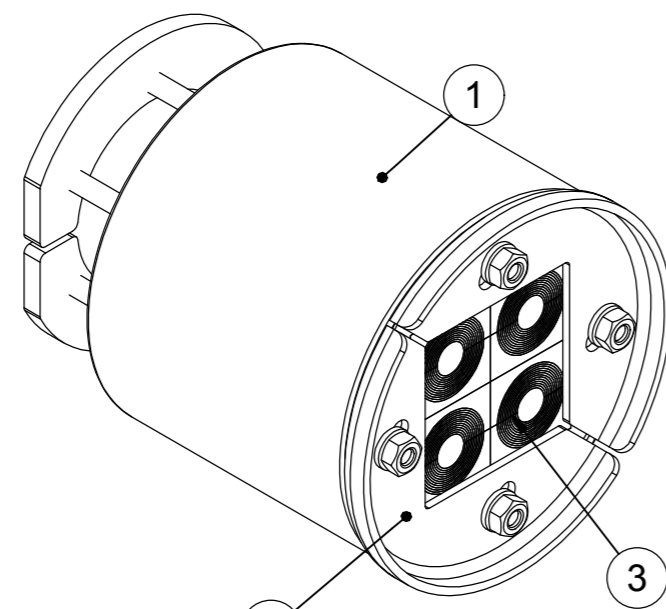
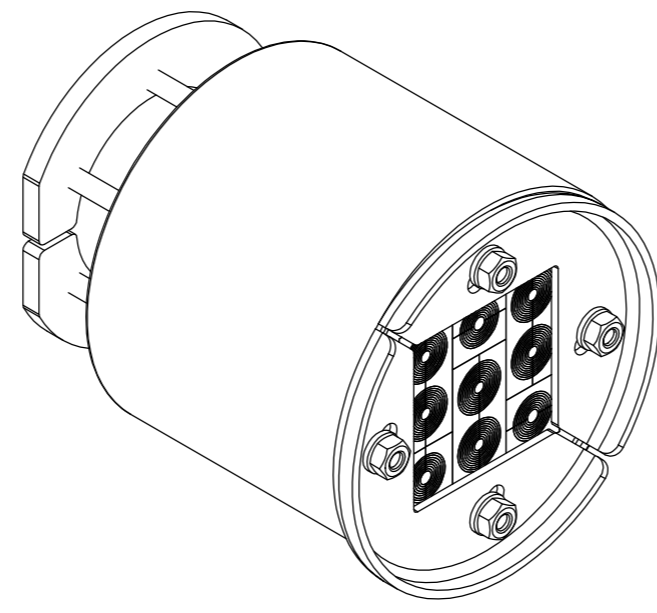


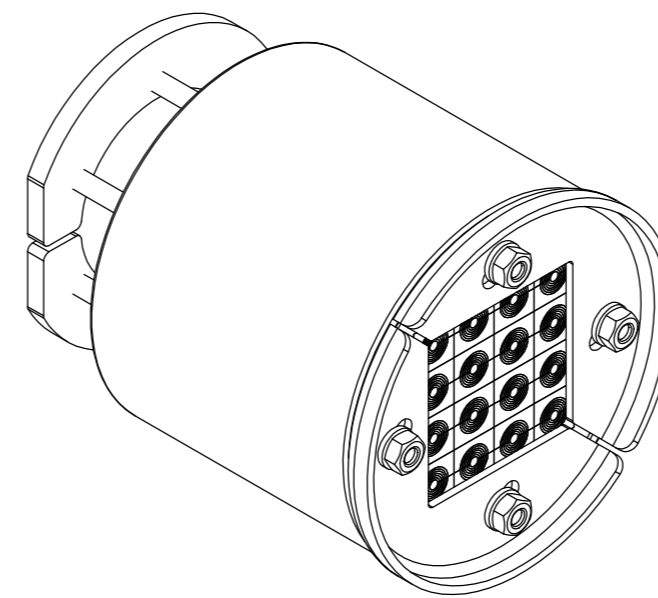
SLA R 100/1



SLA R 100/4



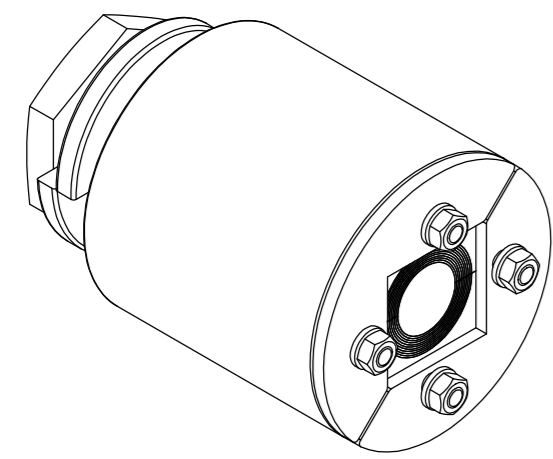
SLA R 100/9



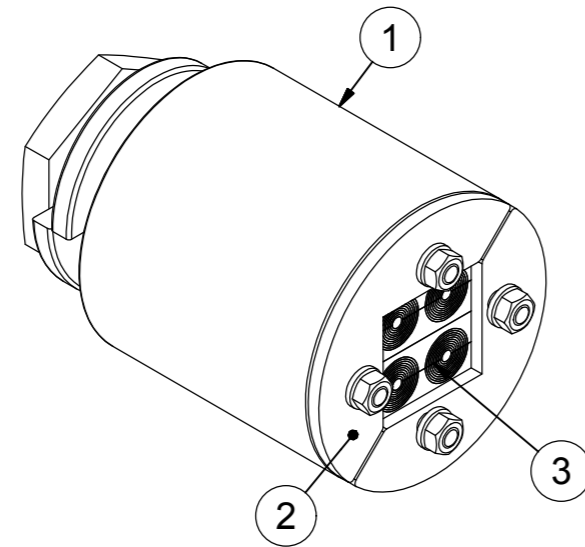
SLA R 100/16

KIT	RM 60 24-54 Ø 0+24-54	RM 30 Ø 0+10-25	RM 20 Ø 0+4-14,5	RM 20w40 Ø 0+3,5-16,5	RM 15 Ø 0+4-11
SLA R 100/1	1	-	-	-	-
SLA R 100/4	-	4	-	-	-
SLA R 100/9	-	-	3	6	-
SLA R 100/16	-	-	-	-	16

THE TABLE SHOWS QUANTITY
OF CABLES PER MODULE TYPE



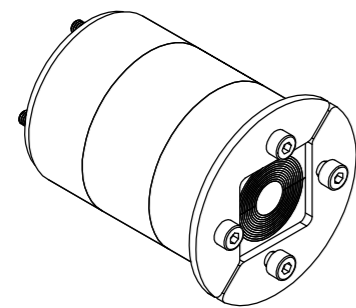
SLA R 75/1



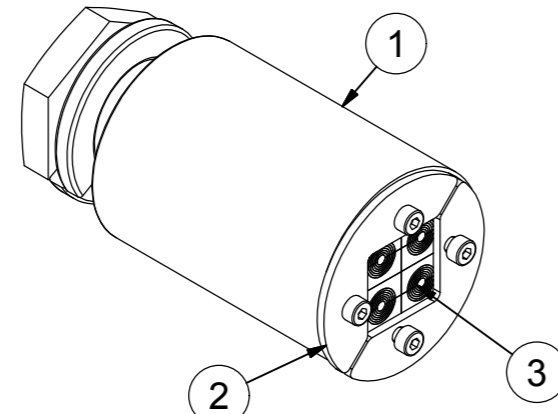
SLA R 75/4

KIT	RM 40 10-32 Ø 0+9,5-32,5	RM 20W40 Ø 0+3,5-16,5
SLA R 75/1	1	-
SLA R 75/4	-	4

THE TABLE SHOWS QUANTITY
OF CABLES PER MODULE TYPE



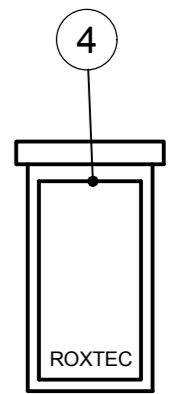
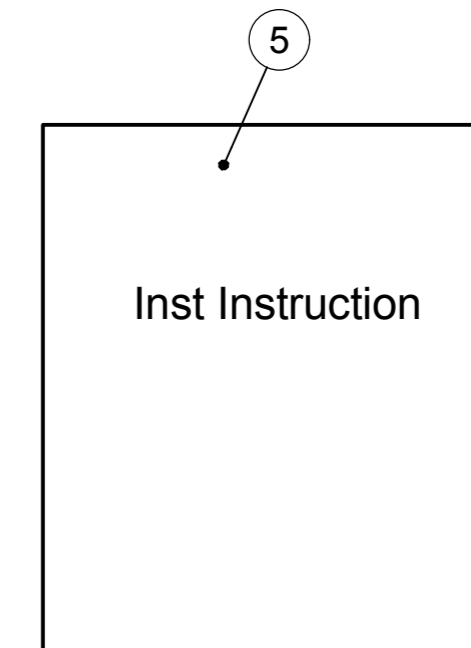
SLA R 50/1



SLA R 50/4

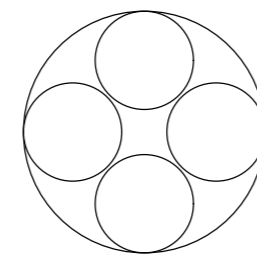
KIT	RM 30 Ø 0+10-25	RM 15 Ø 0+3-11
SLA R 50/1	1	-
SLA R 50/4	-	4

THE TABLE SHOWS QUANTITY
OF CABLES PER MODULE TYPE



NOTE: THE DIAMETER OF THE CABLE BUNDLE MUST FIT THE SLEEVE REAR APERTURE:

- SLA 100 = MAX Ø 53MM
- SLA 75 = MAX Ø 34MM
- SLA 50 = MAX Ø 25MM



5	1	INSTALLATION INSTRUCTION															
4	1	LUBRICANT	TALLOW 25ml														
3	-	SEALING MODULES	S1005711														
2	1	R FRAME	S1005506, S1005511, S1005512														
1	1	SLA SLEEVE	S1508276, S1508275														
ITEM	QTY	Designation	Specification				Weight										
General tolerance: ISO 2768-1/2-m/K EN ISO 13920-BF		Welded details: EN ISO 5817-B EN ISO 10042-B		General surface roughness: Ra 12,5		Designed by/date: xx-benlun 2016-01-26		Latest save date: 2017-06-05		Format: A2		Scale: 1 / 1		Sheet no: 1 / 1		TotWeight: N/A	
Title: SLA KIT R FRAMES		Restricted due to: Information drawing		Drawing number: S1509323		Rev: C		Projection method: 1st angle		www.roxtec.com							

C	SEAL NAMES CORRECTED	2017-06-05	se-jenboh
Rev	Type of revision	Date	Sign