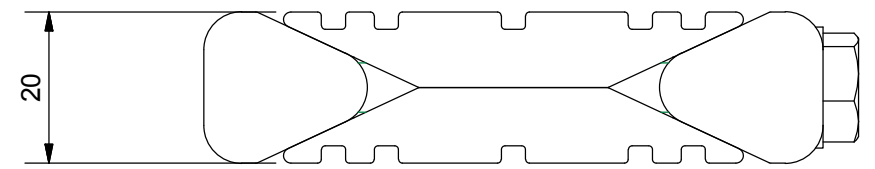
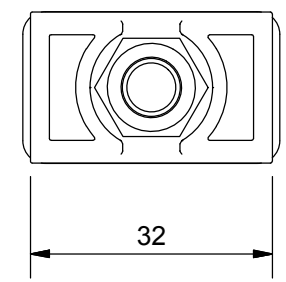
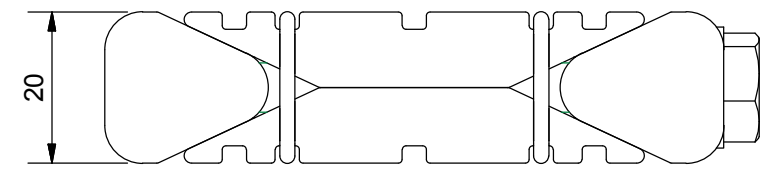
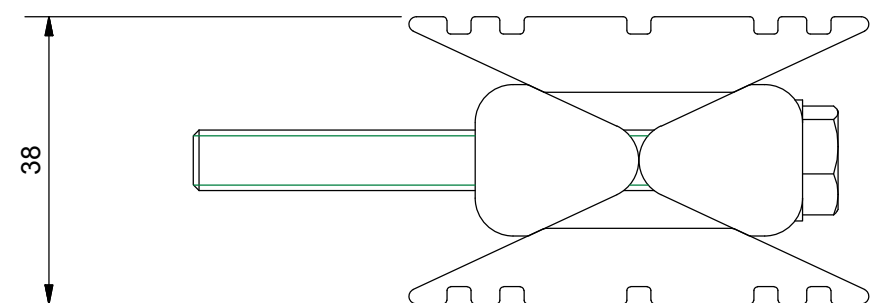
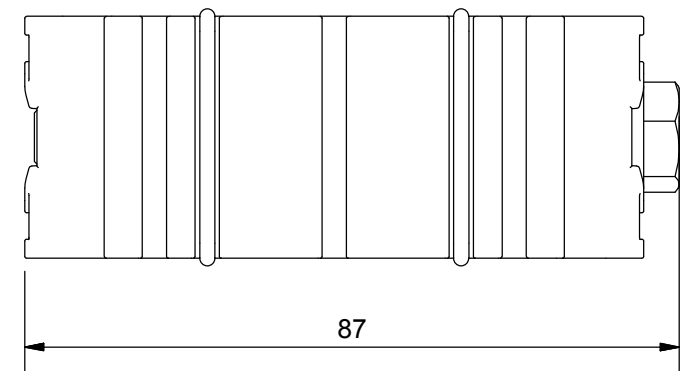


烙克赛克保留所有权利。未经授权严禁复制，使用以及向第三方泄露。

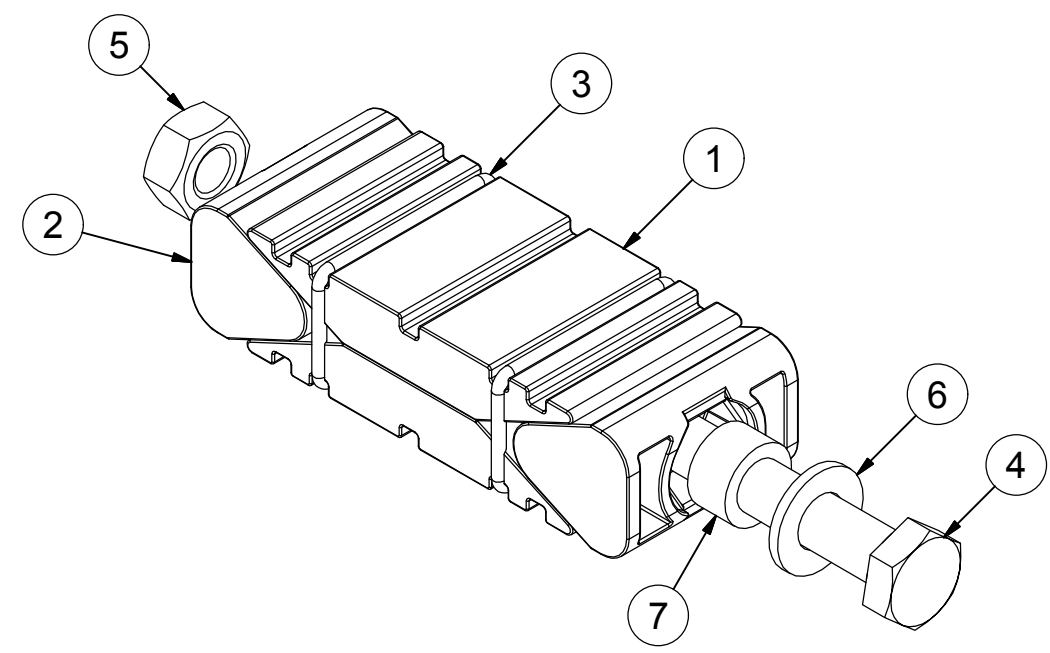
All rights reserved. Unauthorized reproduction, use or disclosure to third parties is strictly forbidden.



LOW POSITION



HIGH POSITION



| ITEM | QTY | Designation | Specification | Weight |
|------|-----|-------------|---------------------------------------|--------|
| 7 | 1 | BOLT SLEEVE | PLASTIC | |
| 6 | 1 | WASHER | BRB M8 ISO 7089 FZB | |
| 5 | 1 | NUT | M6M M8 ISO 4032 FZB | |
| 4 | 1 | SCREW | M6S M8x80 ISO 4017 FZB FULLY THREADED | |
| 3 | 2 | O-RING | 25x2 EPDM | |
| 2 | 2 | WEDGE JAW | PLASTIC COMPOUND | |
| 1 | 2 | WEDGE REST | PLASTIC COMPOUND | |

| General tolerance: | | Welded details: | | General surface roughness: | | Designed by/date | | Latest save date | | Format | | Scale | | Sheet no | | TotWeight | |
|--------------------|--|-----------------|--|----------------------------|--|-----------------------------------|--|---------------------|--|----------------|--|----------|--|----------|--|-------------------|--|
| ISO 2768-1/2-m/K | | EN ISO 5817-B | | Ra 12.5 | | se-jorlan 2015-10-16 | | 2016-05-11 | | A3 | | | | 1 / 1 | | N/A | |
| EN ISO 13920-BF | | EN ISO 10042-B | | | | Title | | | | | | | | | | Projection method | |
| | | | | | | PRE-COMPRESSION WEDGE 40 ASSEMBLY | | | | | | | | | | Rev | |
| | | | | | | Restricted due to | | Information drawing | | Drawing number | | S1507337 | | | | B | |
| | | | | | | www.roxtec.com | | | | | | | | | | | |

| Rev | Type of revision | Date | Sign |
|-----|------------------|------------|-----------|
| B | | 2016-04-20 | se-danstr |