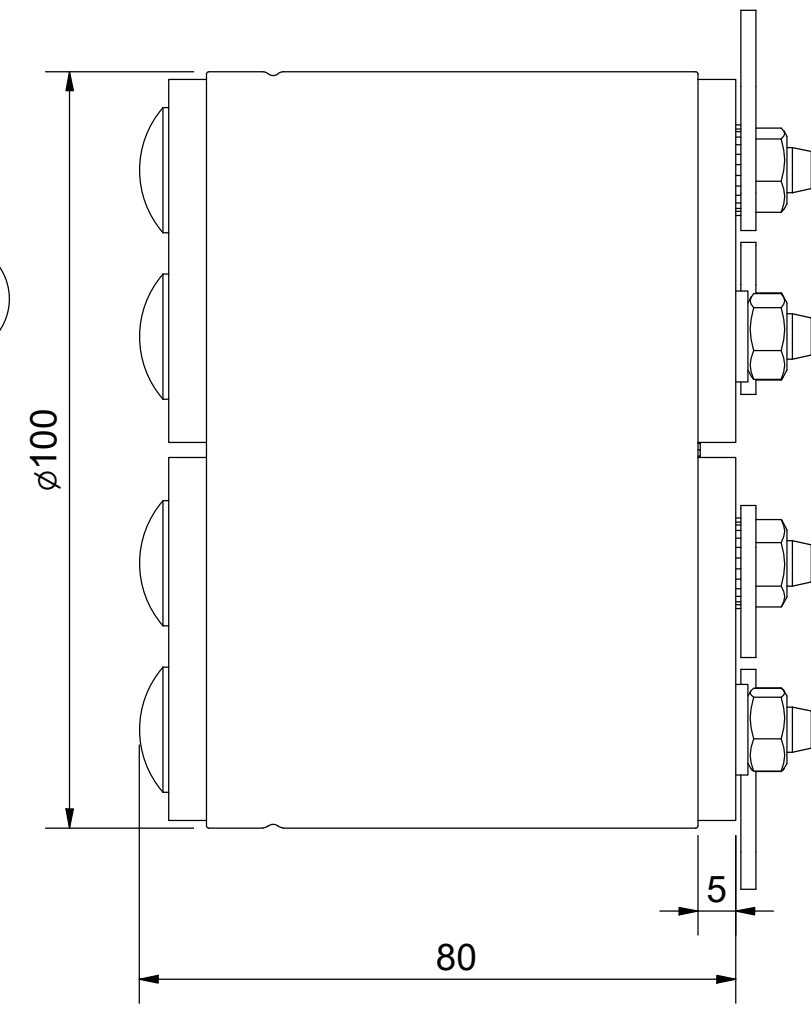
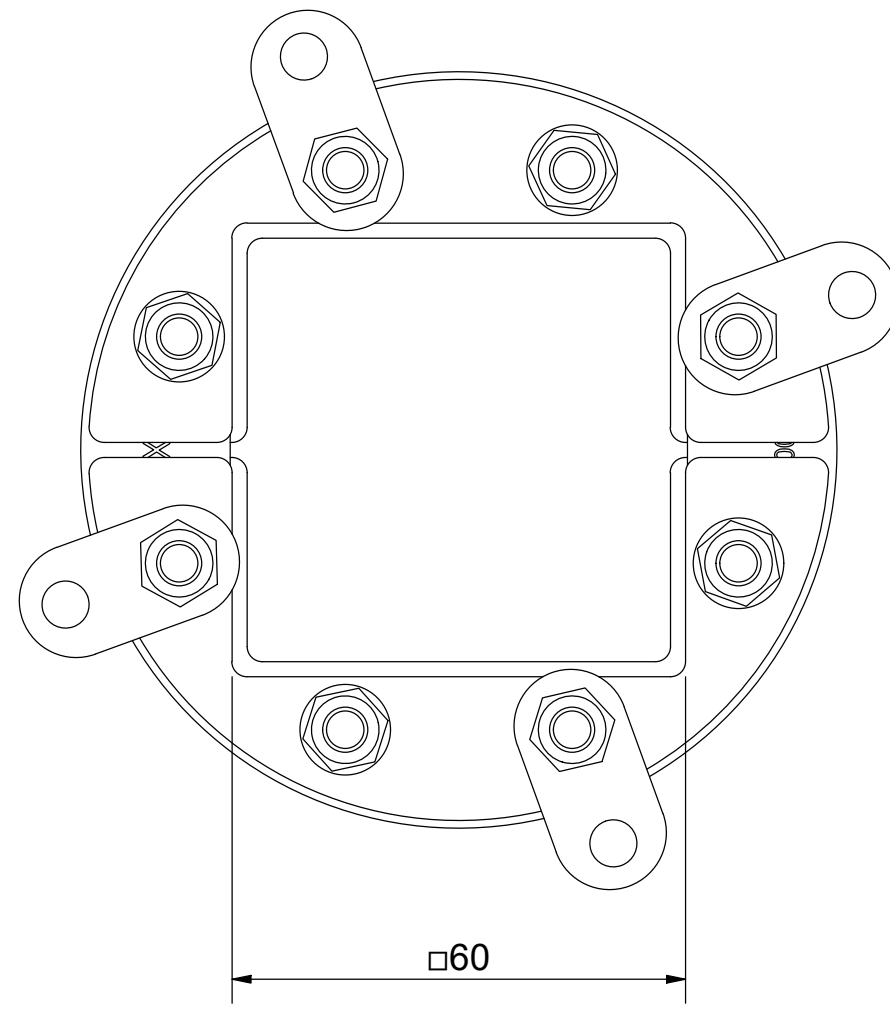
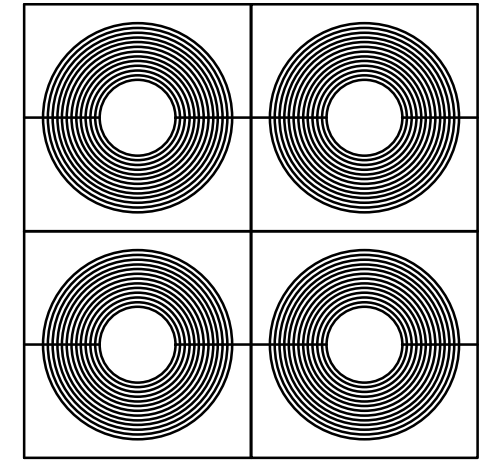


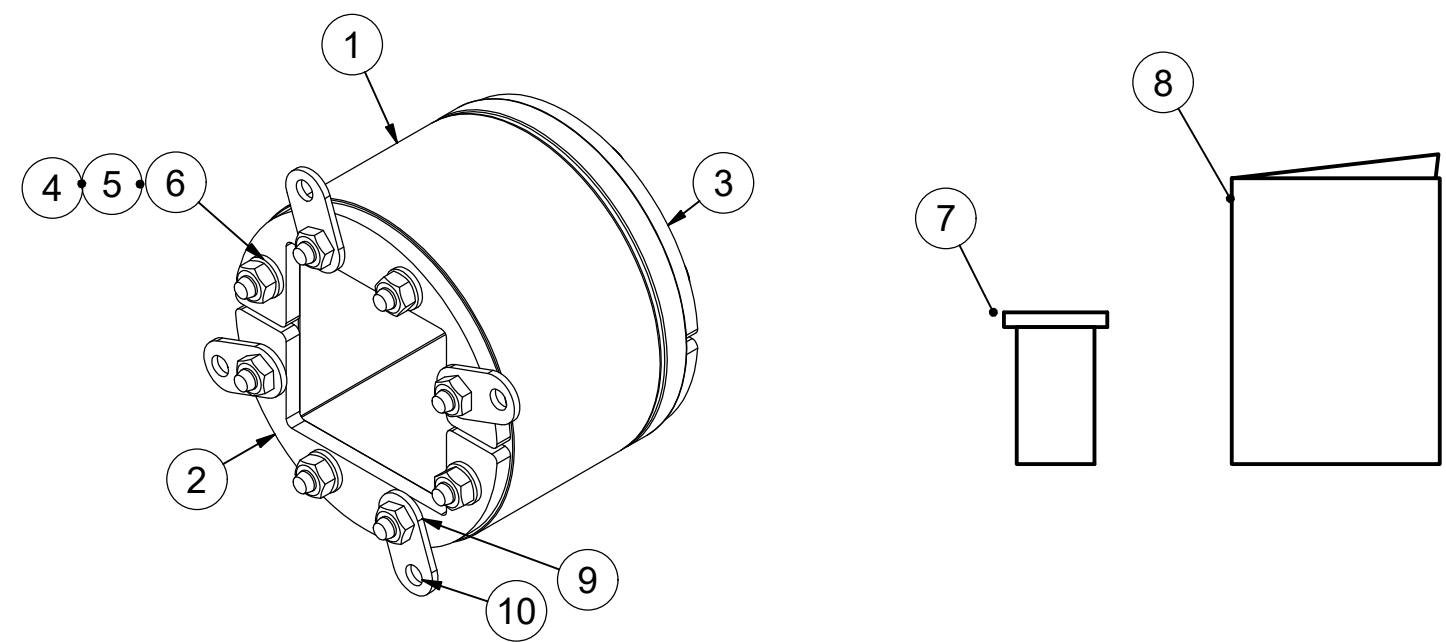
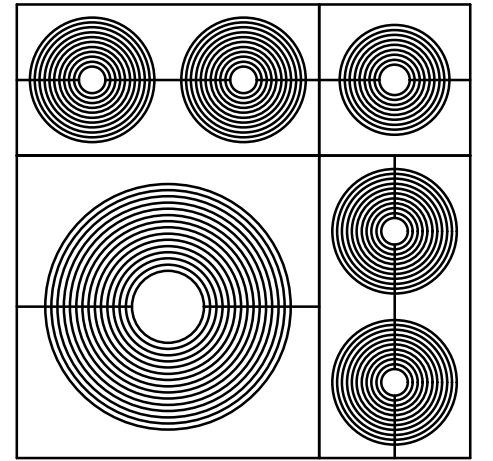
烙克赛克保留所有权利。未经授权严禁复制，使用以及向第三方泄漏。



R 100/4 UG KIT		
MODULE	RANGE	QTY
RM 30 UG	0+10-23.5	4



R 100/6 UG KIT		
MODULE	RANGE	QTY
RM 20 UG	0+4-13	1
RM 20W40 UG	0+4-13	2
RM 40 UG	0+9.5-31	1



ITEM	QTY	Designation	Specification	Weight
10	4	STOP FLANGE	ACID PROOF STAINLESS STEEL	
9	4	LOCK WASHER	M6 A4	
8	1	INSTALLATION INSTRUCTION		
7	1	LUBRICANT	25ML	
6	8	NUT	M6 A4	
5	4	WASHER	M6 A4	
4	8	SCREW	MVBF M6x85 A4	
3	2	REAR FITTING	ACID PROOF STAINLESS STEEL	
2	2	FRONT FITTING	ACID PROOF STAINLESS STEEL	
1	1	RUBBER FRAME	ROXYLON	

ITEM		QTY	Designation	Specification				Weight				
General tolerances used for manufacturing shown in document DOC-002180		Designed by/date	se-jenboh 2015-08-21	Latest save date	2020-11-04	Format	A3	Scale	Sheet no	1 / 1	TotWeight	0,8 kg
Title		R 100 UG KIT SOLUTIONS		Projection method				Rev		B		
www.roxtec.com		Information drawing		Drawing number		S1505918						

B	DESIGN CHANGED.	2020-11-02	se-jenboh
Rev	Type of revision	Date	Sign

Information drawings show general design and nominal dimensions if not else stated

Rev 2.0 All rights reserved. Unauthorized reproduction, use or disclosure to third parties is strictly forbidden.