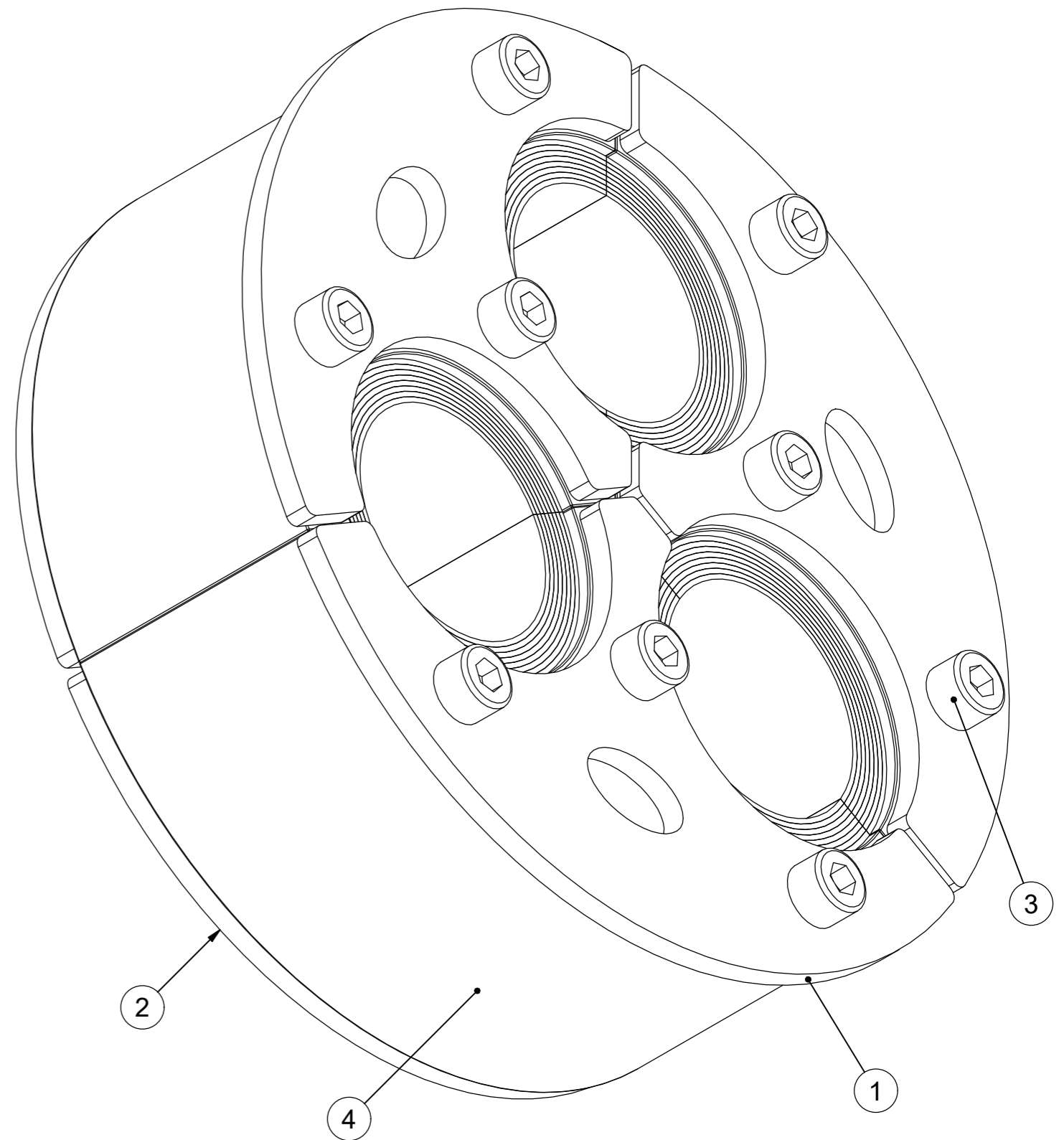
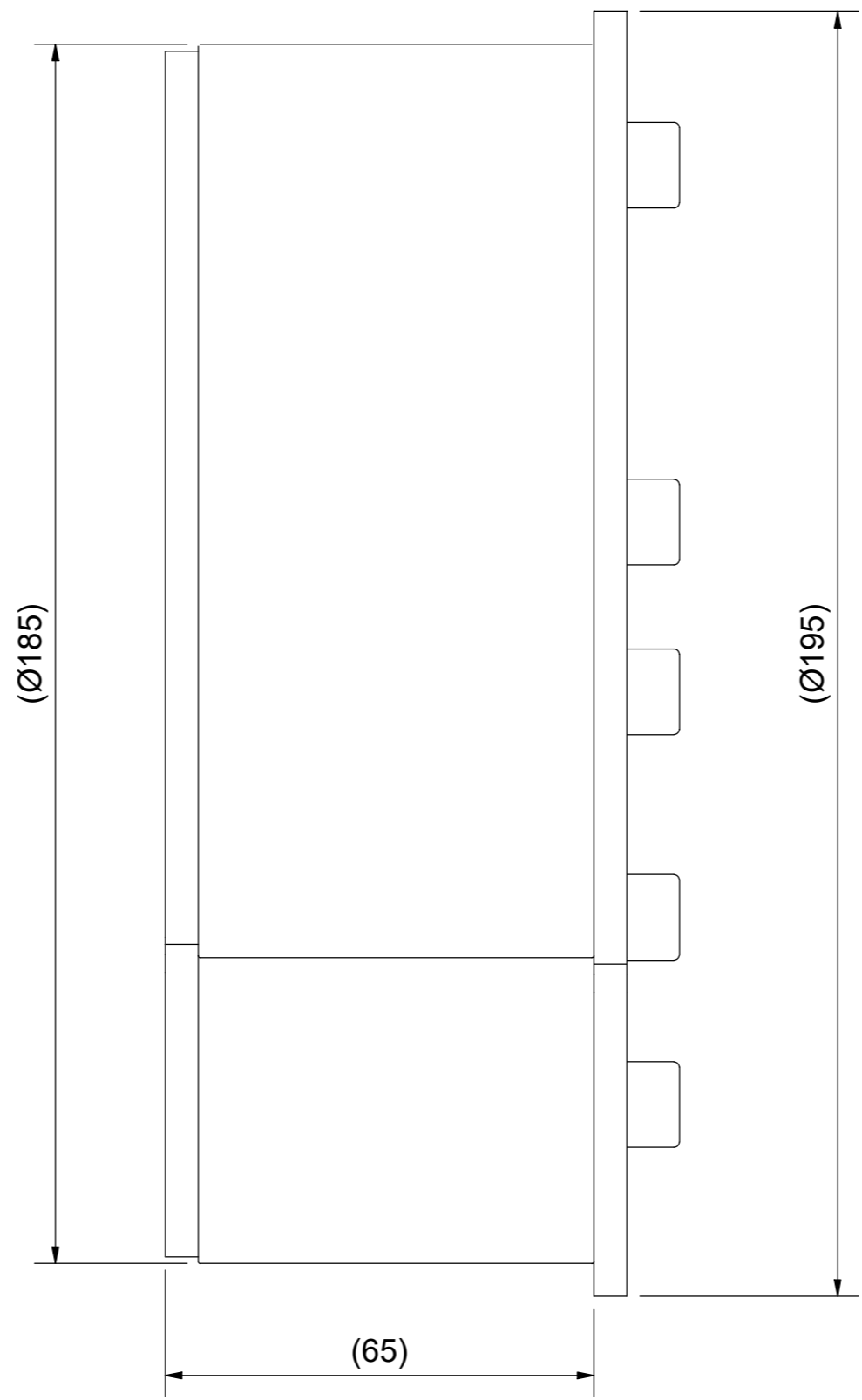
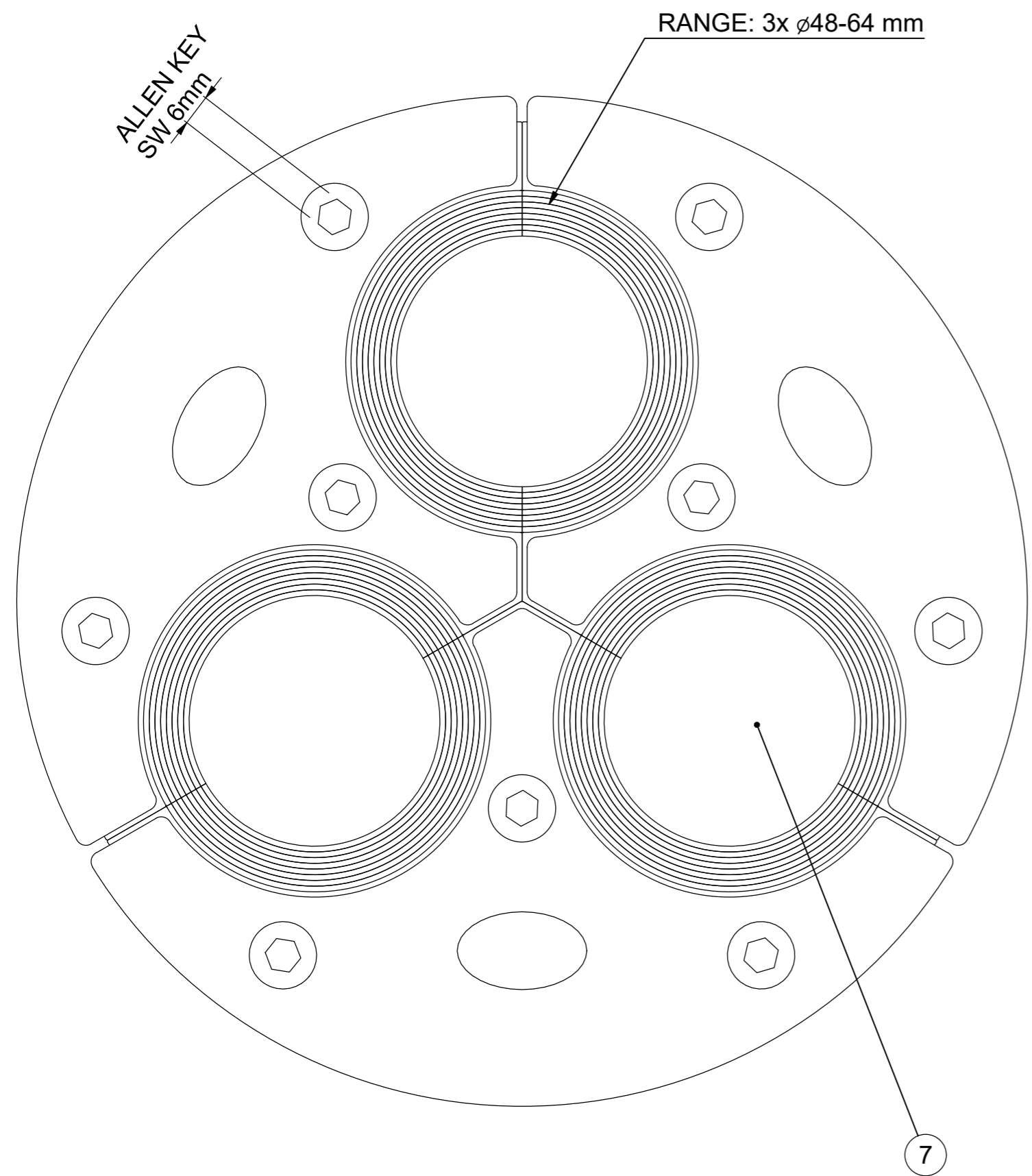
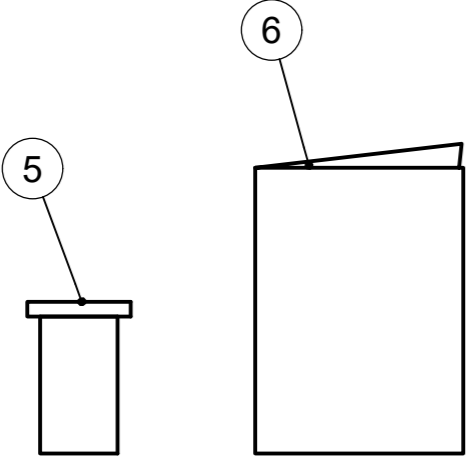


烙克赛克保留所有权利。未经授权严禁复制，  
使用以及向第三方泄漏。

All rights reserved. Unauthorized reproduction, use  
or disclosure to third parties is strictly forbidden.



**NOTE:**  
WOC VERSION IS WITHOUT  
CENTER CORES



ITEM	QTY	Designation	Specification	Weight
7	3	CENTER CORES	ROYLON, NOT IN WOC VERSIONS.	
6	1	INSTALLATION INSTRUCTION		
5	1	LUBRICANT		
4	3	RUBBER FRAME	ROYLON	
3	9	SCREW	ISO 4762 A4	
2	3	REAR FITTING	ACID PROOF STAINLESS STEEL	
1	3	FRONT FITTING	ACID PROOF STAINLESS STEEL	
ITEM QTY		Designation	Specification	Weight
General tolerances used for manufacturing shown in document DOC-002180		Designed by/date se-danstr 2015-04-23	Latest save date 2018-06-26	Format A2
		Title H3 185 UG ASSEMBLY	Scale 1 / 1	Sheet no 1 / 1
www.roxtec.com		Restricted due to Information drawing	Drawing number S1503259	TotWeight 2.8 kg
				Projection method ⊕
				Rev D

Rev	Type of revision	Date	Sign
D		2024-10-04	se-larlar