

熔克赛克保留所有权利。未经授权严禁复制、使用以及向第三方泄露。

All rights reserved. Unauthorized reproduction, use or disclosure to third parties is strictly forbidden.

SINGLE FRAME

| TYPE | L (mm) |
|----------------|--------|
| GH / GH BG 2x1 | 2006 |
| GH / GH BG 4x1 | 2240 |
| GH / GH BG 6x1 | 2474 |
| GH / GH BG 8x1 | 2714 |

COMBINATION FRAME

| TYPE | A (mm) |
|----------------|--------|
| GH / GH BG 2xN | 964 |
| GH / GH BG 4xN | 1198 |
| GH / GH BG 6xN | 1432 |
| GH / GH BG 8xN | 1672 |

| COMB xN | B (mm) |
|---------|--------|
| x2 | 1564 |
| x3 | 2086 |
| x4 | 2608 |
| x5 | 3130 |
| x6 | 3652 |
| x7 | 4174 |
| x8 | 4696 |
| x9 | 5218 |
| x10 | 5740 |

$L=A+B$

+ SINGLE FRAME

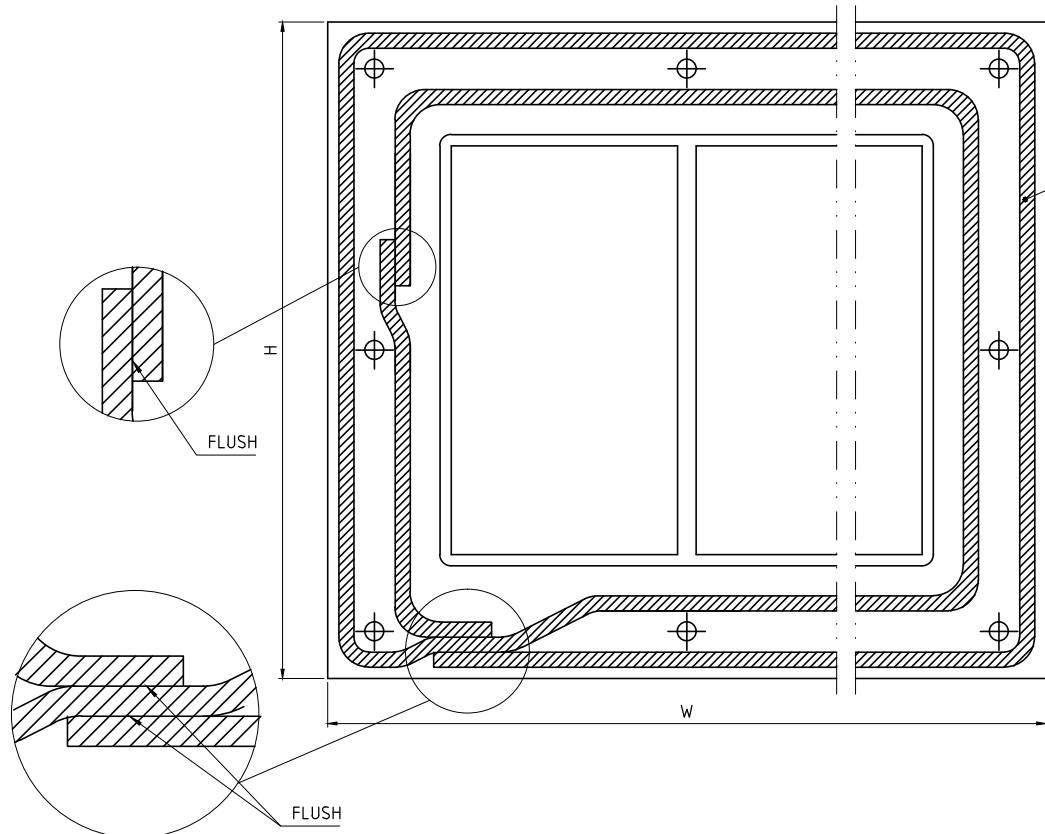
| TYPE | L (mm) |
|----------------------|--------|
| GH / GH BG 2+2x1 | 2450 |
| GH / GH BG 4+4x1 | 2918 |
| GH / GH BG 6+6x1 | 3386 |
| GH / GH BG 8+8x1 | 3866 |
| GH / GH BG 2+2+2x1 | 2894 |
| GH / GH BG 4+4+4x1 | 3596 |
| GH / GH BG 6+6+6x1 | 4298 |
| GH / GH BG 8+8+8x1 | 5018 |
| GH / GH BG 2+2+2+2x1 | 3338 |
| GH / GH BG 4+4+4+4x1 | 4274 |
| GH / GH BG 6+6+6+6x1 | 5210 |
| GH / GH BG 8+8+8+8x1 | 6170 |

+ COMBINATION FRAME

| TYPE | A (mm) |
|----------------------|--------|
| GH / GH BG 2+2xN | 1448 |
| GH / GH BG 4+4xN | 1916 |
| GH / GH BG 6+6xN | 2384 |
| GH / GH BG 8+8xN | 2864 |
| GH / GH BG 2+2+2xN | 1932 |
| GH / GH BG 4+4+4xN | 2634 |
| GH / GH BG 6+6+6xN | 3336 |
| GH / GH BG 8+8+8xN | 4056 |
| GH / GH BG 2+2+2+2xN | 2416 |
| GH / GH BG 4+4+4+4xN | 3352 |
| GH / GH BG 6+6+6+6xN | 4288 |
| GH / GH BG 8+8+8+8xN | 5248 |

| COMB xN | B (mm) |
|---------|--------|
| x2 | 1564 |
| x3 | 2086 |
| x4 | 2608 |
| x5 | 3130 |
| x6 | 3652 |
| x7 | 4174 |
| x8 | 4696 |
| x9 | 5218 |
| x10 | 5740 |

$L=A+B$



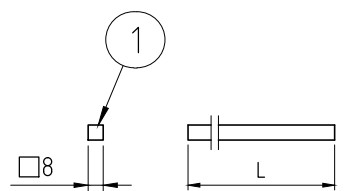
NOTE:

TOTAL SEALING STRIP LENGTH FOR OTHER FRAME TYPES OR SIZES CAN BE DETERMINED BY $L=4xH + 4xW$ OR TWICE THE CIRCUMFERENCE.

LENGTHS A AND B MUST BE COMBINED FOR THE TOTAL LENGTH (L) OF THE SEALING STRIP.

THE SEALING STRIP IS DELIVERED IN PRE-DEFINED ROLLS. FOR LENGTHS ABOVE 6 METERS, TWO ROLLS MUST BE COMBINED TO MATCH THE TOTAL REQUIRED SEALING STRIP LENGTH.

| ARTICLE | LENGTH (mm) |
|---------|-------------|
| 151883 | 2500 |
| 151884 | 3000 |
| 151885 | 3500 |
| 151886 | 4000 |
| 151887 | 4500 |
| 151888 | 5000 |
| 151889 | 5500 |
| 151890 | 6000 |



| | | | |
|-----|------------------|------------|-----------|
| B | | 2015-02-13 | se-jenboh |
| Rev | Type of revision | Date | Sign |

| | | | | |
|--|--|---|--|-------------------|
| 1 | - | SEALING STRIP | TSL 8X8 BUTYL, SELF ADHESIVE | |
| Item | Qty | Designation | Specification | Net Weight |
| General reference ISO 10647-2:2003 EN ISO 10647-2:2003 | Milled details EN ISO 18017:2013 EN ISO 18017:2013 | General surface preparation EN ISO 10042-8:2013 | Designed by se-jenboh Created Date 2015-02-09 Effective date 2015-02-13 Format AZ Scale 1:2 Sheet no - | Weight - |
| www.roxtec.com | | SEALING STRIP - TSL 8X8 BUTYL GH / GH BG | | Projection method |
| Restricted due to Information | | | Drawing number S1501710 | Rev B |