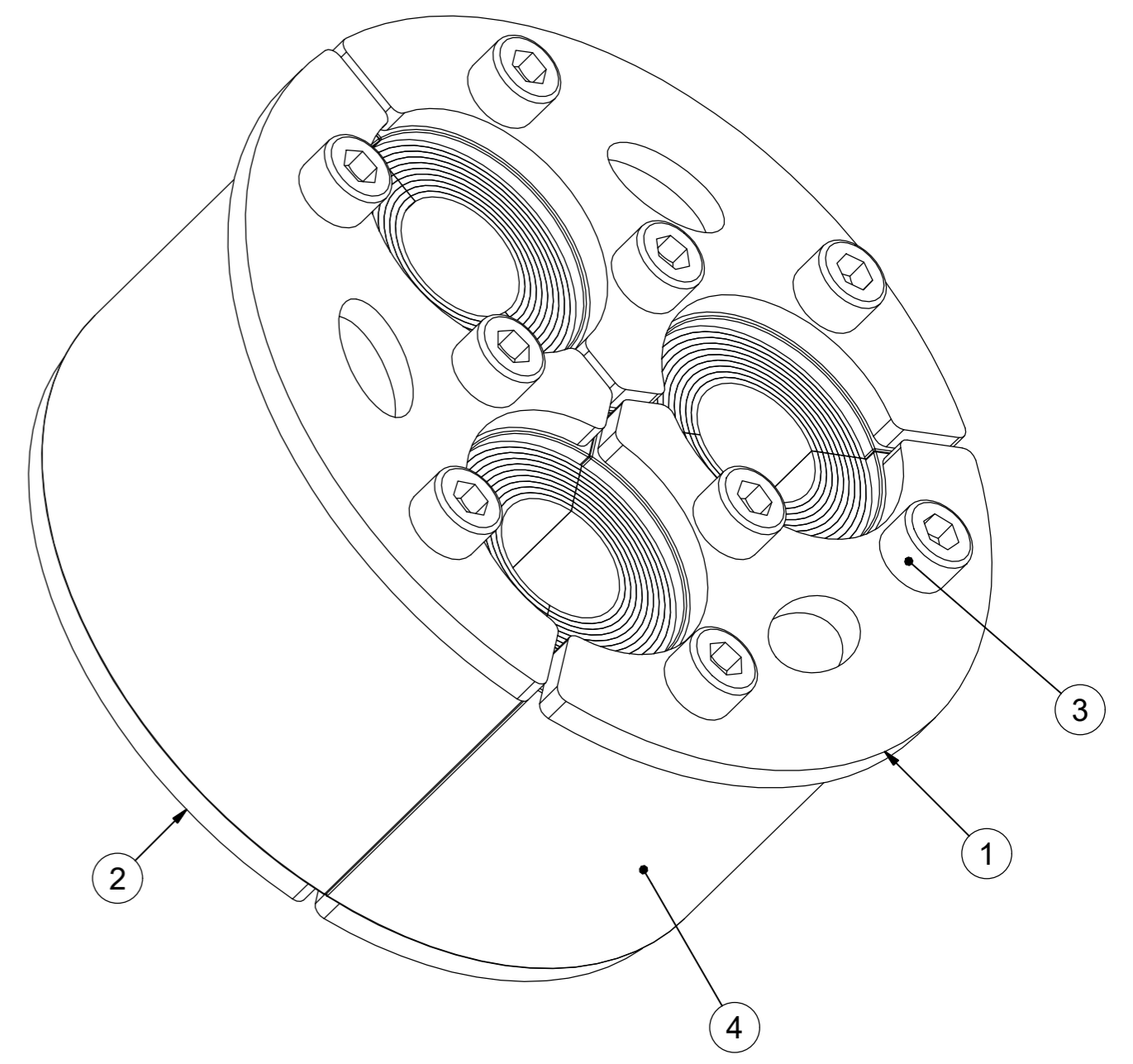
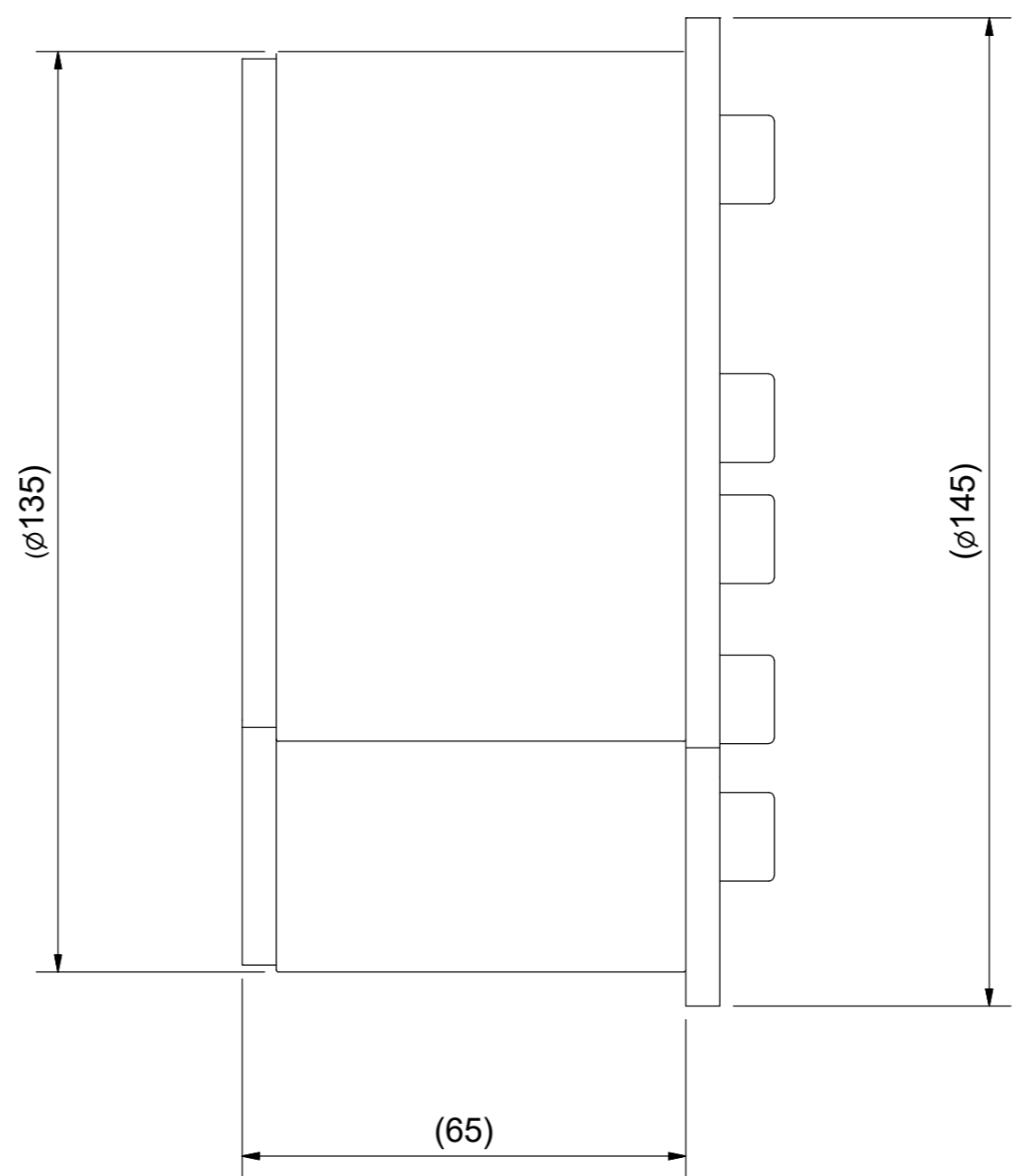
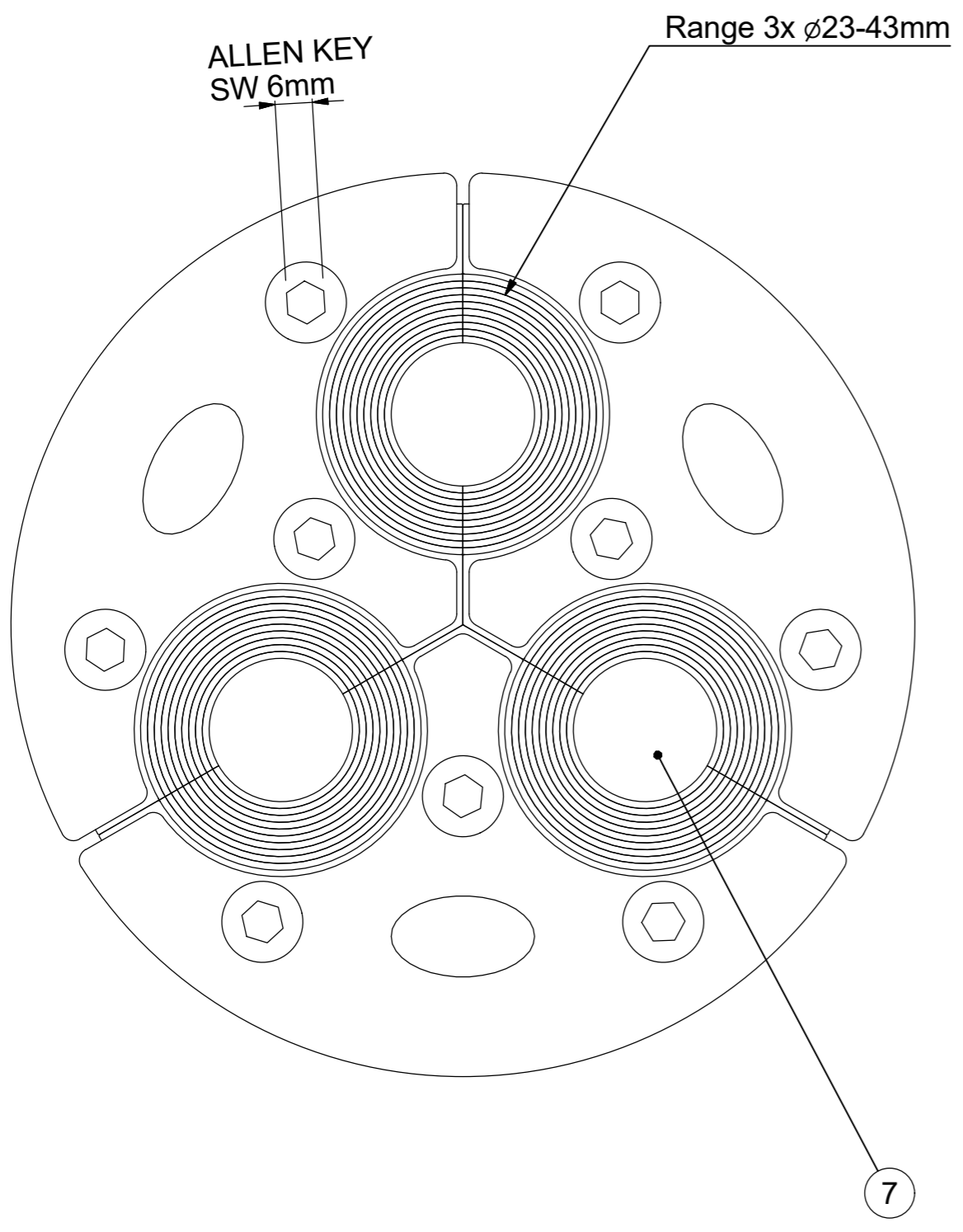
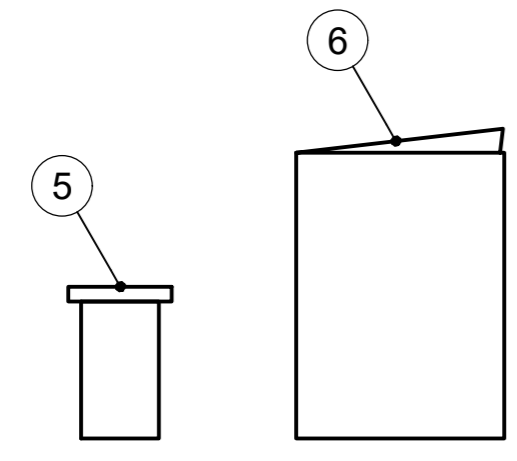


格克赛克保留所有权利。未经授权严禁复制，
使用以及向第三方泄漏。

All rights reserved. Unauthorized reproduction, use
or disclosure to third parties is strictly forbidden.



NOTE:
WOC VERSION IS WITHOUT
CENTER CORES



C

ITEM	QTY	Designation	Specification	Weight
7	3	CENTER CORE	EPDM, NOT IN WOC VERSIONS	
6	1	INSTALLATION INSTRUCTION		
5	1	LUBRICANT	10 ml	
4	3	RUBBER FRAME	ROXYLON HE	
3	9	SCREW	ISO 4762 M8x70 A4	
2	3	REAR FITTING	AISI 316 T=5mm	
1	3	FRONT FITTING	AISI 316 T=5mm	

General tolerance:		Welded details:		General surface		Designed by/date		Latest save date		Format		Scale		Sheet no		TotWeight	
ISO 2768-1/2-m/K		EN ISO 5817-B		Ra 12.5		se-danstr 2015-01-13		2018-08-13		A2		1 / 1		1 / 1		N/A	
EN ISO 13260-BF		EN ISO 10042-B				Title										Projection method	
						H3 135 UG ASSEMBLY										Rev	
						Restricted due to										C	
						www.roxtec.com		Information drawing		Drawing number		S1501095					

Rev	Type of revision	Date	Sign
C	MATERIAL CORRECTED	2018-08-13	se-henols