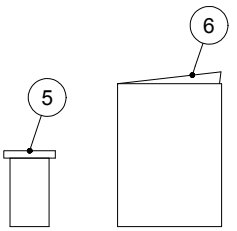
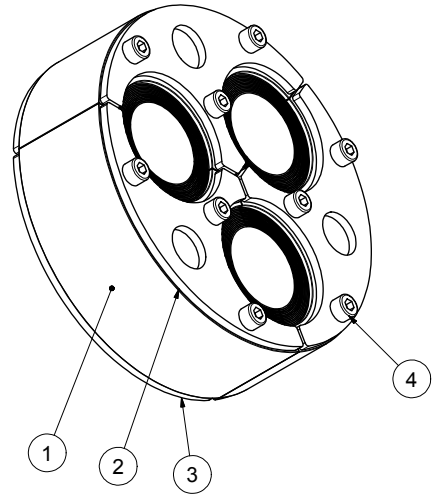
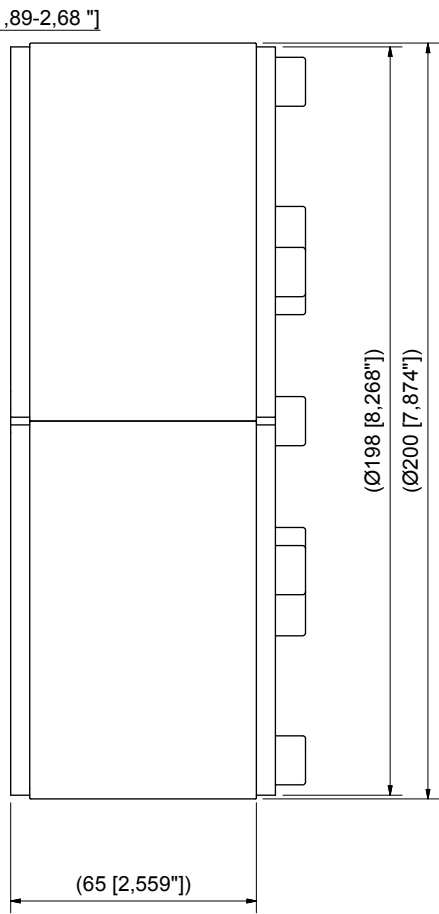
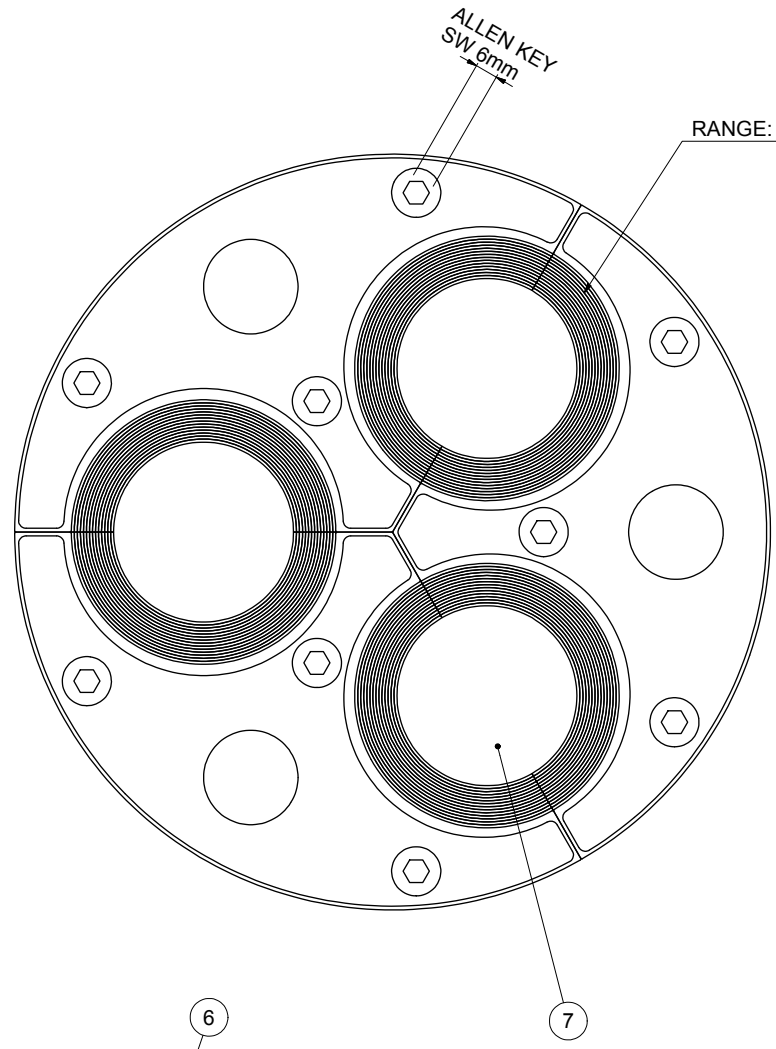


格克賽克保留所有權利。未經授權嚴禁复制、使用以及向第三方披露。

All rights reserved. Unauthorized reproduction, use or disclosure to third parties is strictly forbidden.



NOTE:
WOC VERSION IS WITHOUT
CENTERCORES

7	3	CENTER CORE	NOT IN WOC VERSIONS		
6	1	INSTALLATION INSTRUCTION			
5	1	LUBRICANT	10ml		
4	9	SCREW	ISO 4762 M8x70 A4		
3	3	REAR FITTING	AISI 316 T=5mm		
2	3	FRONT FITTING	AISI 316 T=5mm		
1	3	RUBBER FRAME			
ITE	QTY	Designation	Specification	Weight	
ROXTEC INTERNATIONAL AB		Designed by se-micein	Designed Date 2014-10-22	General tolerances ISO 2768-M2 max EN ISO 1300-0F	Material details EN ISO 1042-B
BOKA S-071 23 Karkkova TEL: +46 455 366700 FAX: +46 455 82012		Approved by SE-laijar	Approved Date 2014-10-23	Title H3-200 UG INSERTABLE ASSEMBLY	General surface roughness, Ra 12.5
		Format A2	Scale 1:-	Projection method	FatWeight
		Restricted due to		Drawing number	Rev
		Information Drawing		S1042071	A

A			
Rev	Type of revision	Date	Sign