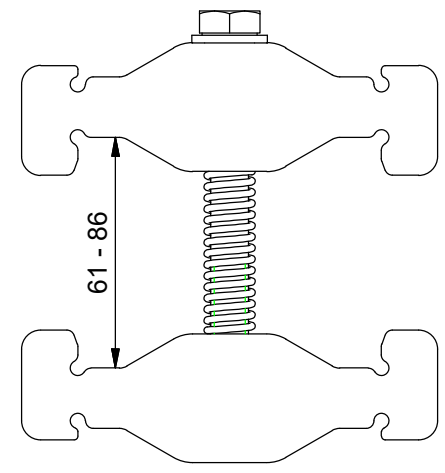
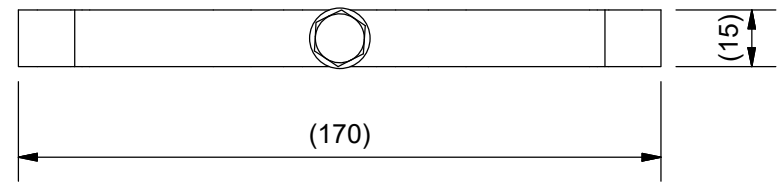
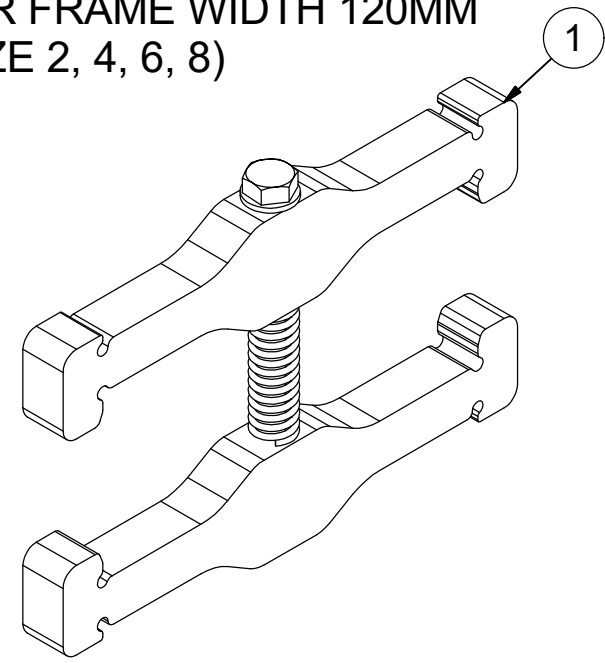
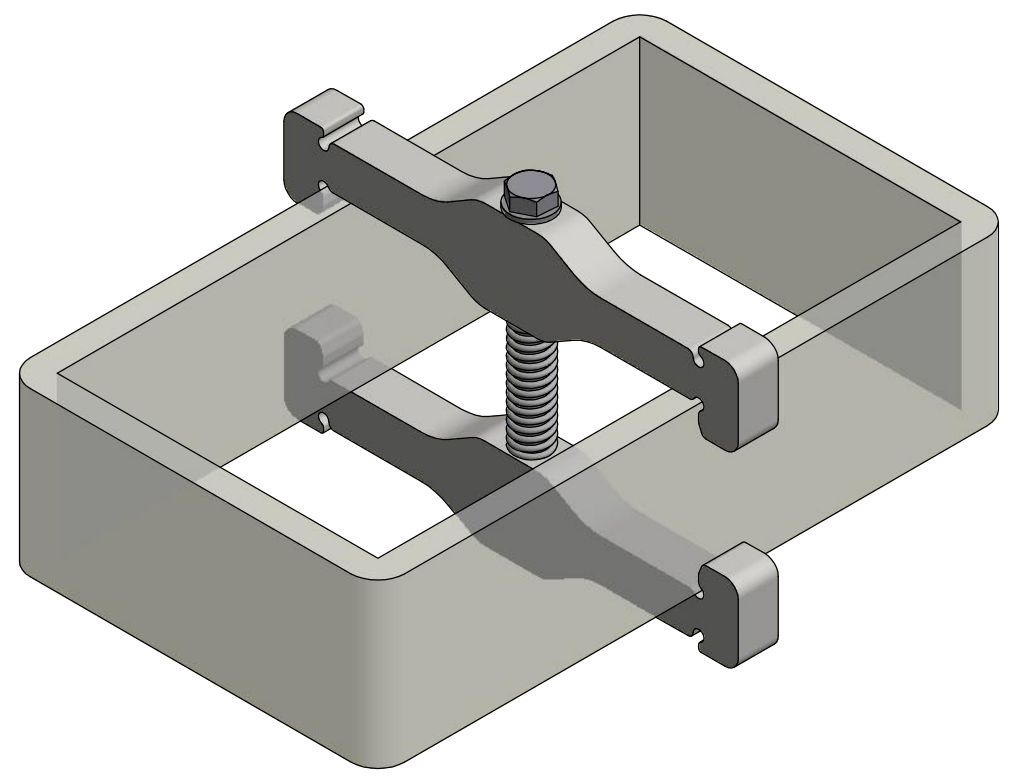
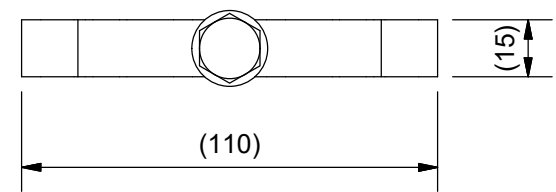
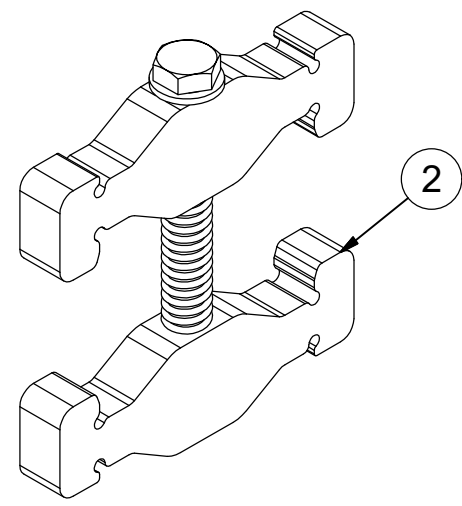


WELDING FIXTURE 120
FOR FRAME WIDTH 120MM
(SIZE 2, 4, 6, 8)



WELDING FIXTURE 60
FOR FRAME WIDTH 60MM
(SIZE 1, 3, 5, 7)



2	1	WELDING FIXTURE 60											
1	1	WELDING FIXTURE 120											
ITEM	QTY	Designation	Specification						Weight				
General tolerance:		Welded details:		General surface		Designed by/date		Latest save date		Format	Scale	Sheet no	TotWeight
ISO 2768-1/2-m/K		EN ISO 5817-B		Ra 12.5		se-jorlan 2014-03-31		2016-03-07		A3		1 / 1	N/A
EN ISO 13920-BF		EN ISO 10042-B											
 www.roxtec.com		Title						Projection					
		ROXTEC TOOLS WELDING FIXTURE 120 & 60						method					
Rev		Type of revision		Date		Sign		Information drawing		Drawing number		S1038447	Rev
C		THICKNESS CHANGED FROM 20MM.		2018-04-10		se-jenboh							C