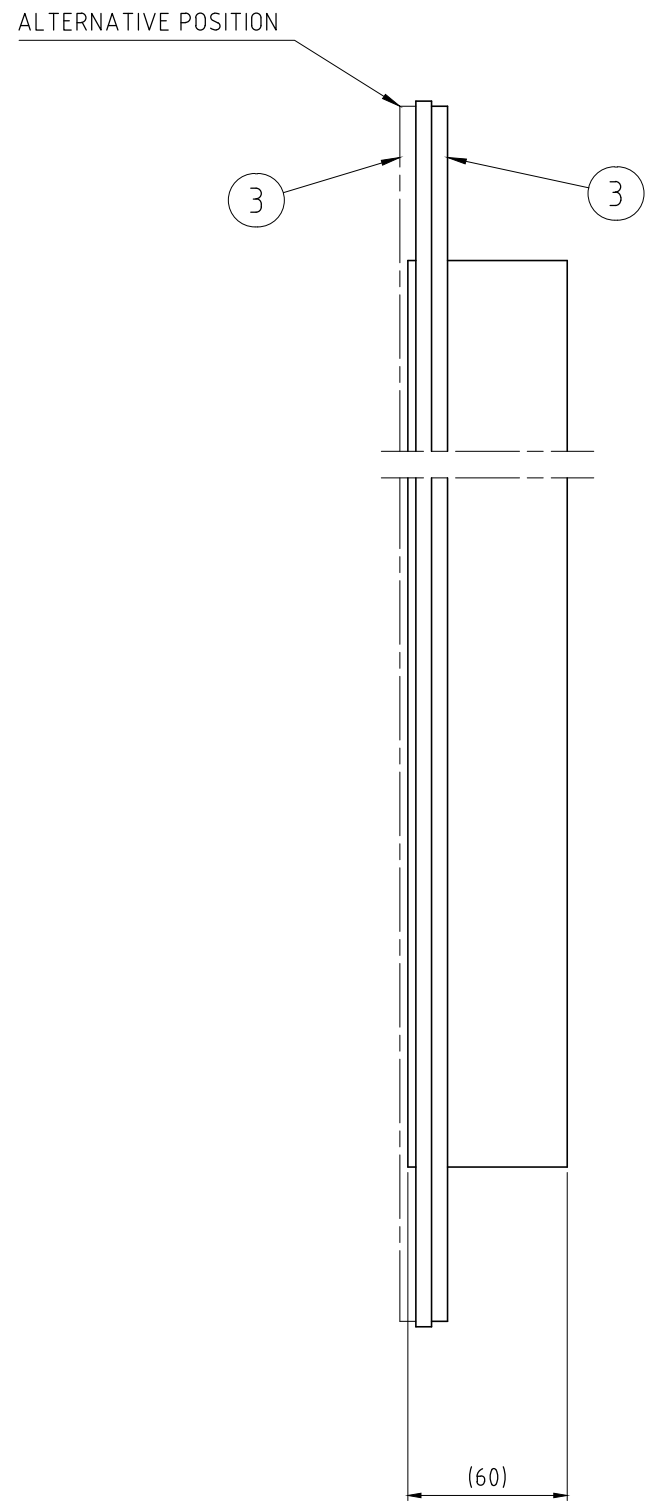
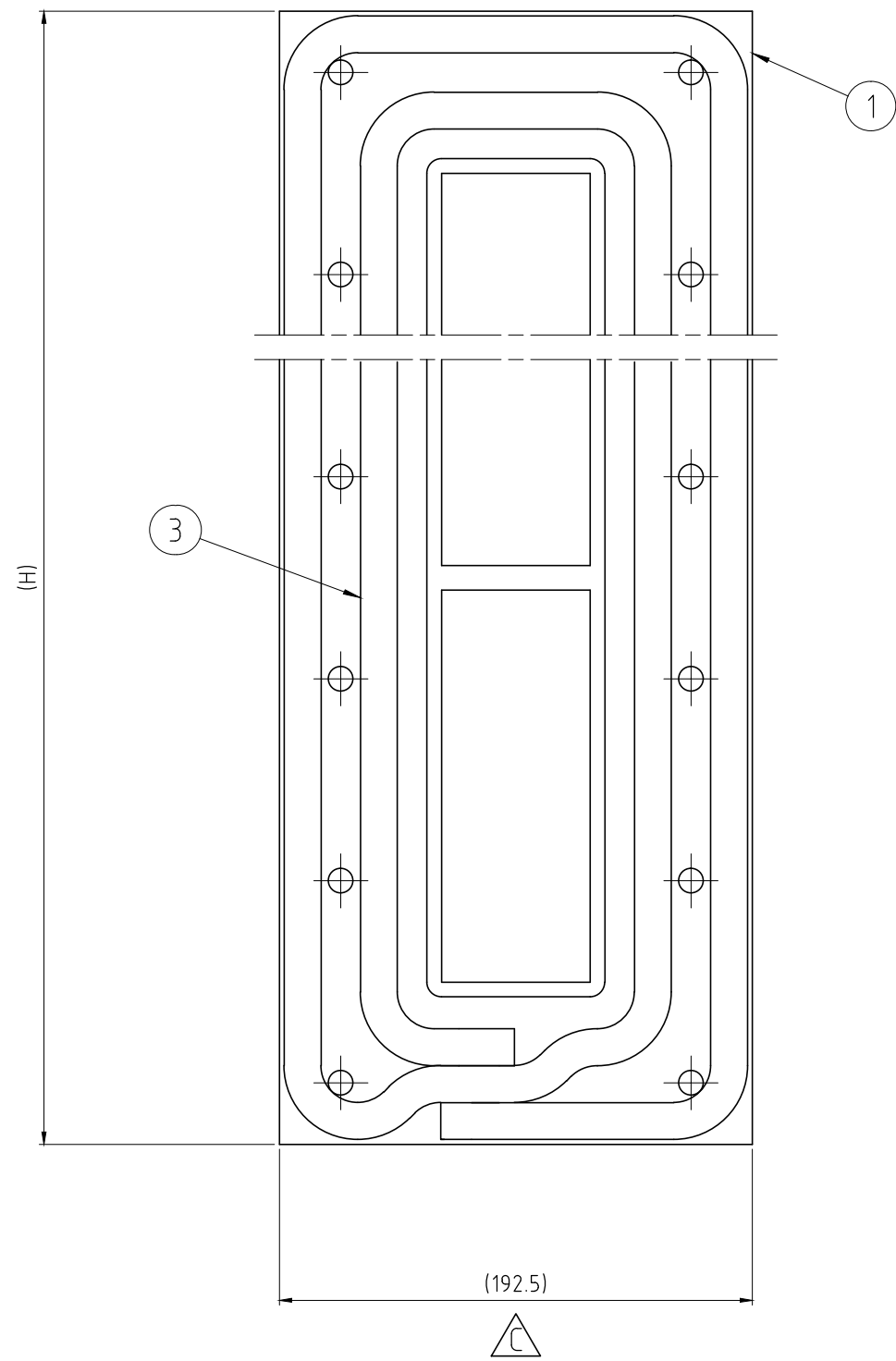


格克赛克保留所有权利。未经授权严禁复制，
使用以及向第三方泄露。

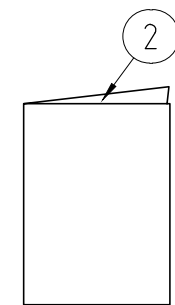
All rights reserved. Unauthorized reproduction, use
or disclosure to third parties is strictly forbidden.



TYPE	H
GHM 1+1x1	344
GHM 3+3x1	461
GHM 5+5x1	578
GHM 7+7x1	698

TYPE	H
GHM 1+1+1x1	455
GHM 3+3+3x1	630.5
GHM 5+5+5x1	806
GHM 7+7+7x1	986

TYPE	H
GHM 1+1+1+1x1	566
GHM 3+3+3+3x1	800
GHM 5+5+5+5x1	1034
GHM 7+7+7+7x1	1274



Rev	Type of revision	Date	Sign
C	192,5 WAS 252,5	2017-03-02	se-henols

3	1	TSL 15x6 FOR GHM/SFHM 60	S1038803		
2	1	INSTALLATION INSTR.	GHM FRAME		
1	1	GHM + SINGLE FRAME	S1010388		
Item	Qty	Designation	Specification	Net Weight	
General tolerance		ISO 2768-MTS	General surface roughness, Ra	-	
Welded details		EN ISO 5817-B	12.5	-	
General surface roughness, Ra		12.5			
Designed by		se-ronpet	Created Date	2014-03-10	Latest save Date
				2017-03-02	
Format		A2	Scale	1:2	Sheet no
Title		GHM FRAME INCL. TSL. 15x6 + SINGLE FRAME 60			
Restricted due to		Information drawing			
Drawing number		S1038047			
Rev		C			

