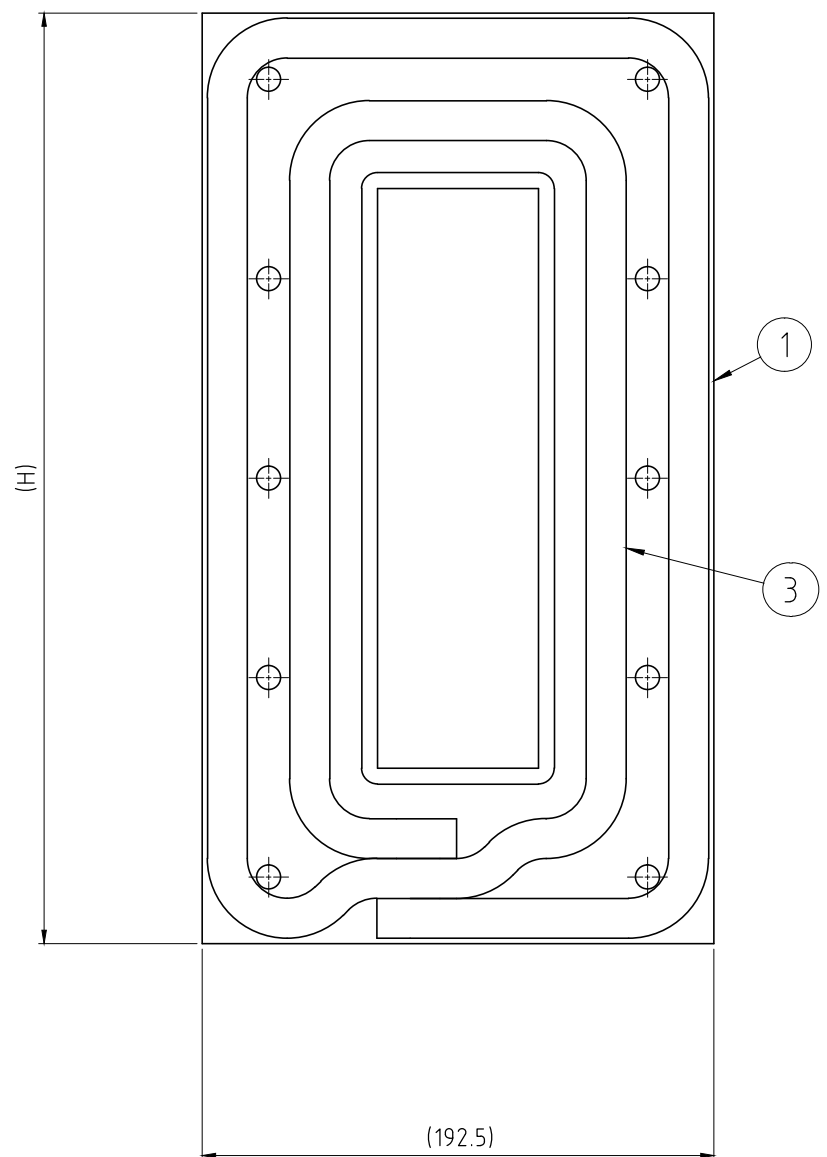
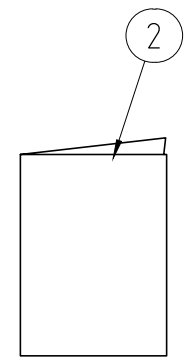
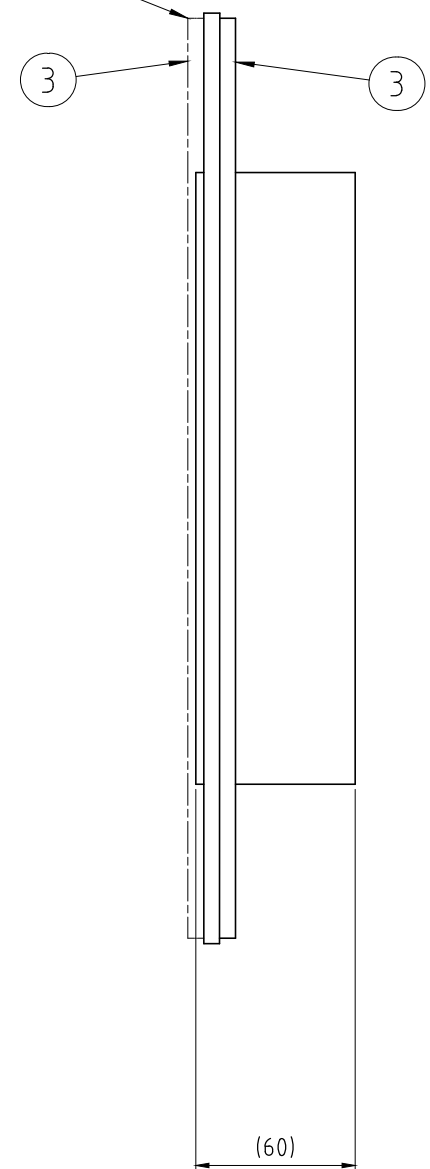


格克赛克保留所有权利。未经授权严禁复制，
使用以及向第三方泄露。

All rights reserved. Unauthorized reproduction, use
or disclosure to third parties is strictly forbidden.



ALTERNATIVE POSITION



TYPE	H
GHM 1x1	233
GHM 3x1	291.5
GHM 5x1	350
GHM 7x1	410

Rev	Type of revision	Date	Sign
B	TYPE CORRECTED	2016-03-03	se-henols

3	1	TSL 15x6 FOR GHM/SFHM 60	S1038803		
2	1	INSTALLATION INSTR.	GHM FRAME		
1	1	SINGLE FRAME 60	S1010386		
Item	Qty	Designation	Specification	Net Weight	
General tolerance		Welded details		General surface roughness, Ra	
ISO 2768-MT-A/F6		EN ISO 5817-B		12.5	
EN ISO 19128-BF		EN ISO 10042-B			
Designed by		Created Date		Latest save date	
se-ronpet		2014-03-10		2016-03-03	
Format		Scale		Sheet no	
A2		1:2			
Title				Projection method	
GHM FRAME INCL. TSL. 15x6 SINGLE FRAME 60				First angle	
Restricted due to				Drawing number	
Information drawing				S1038046	
www.roxtec.com				Rev	
				B	