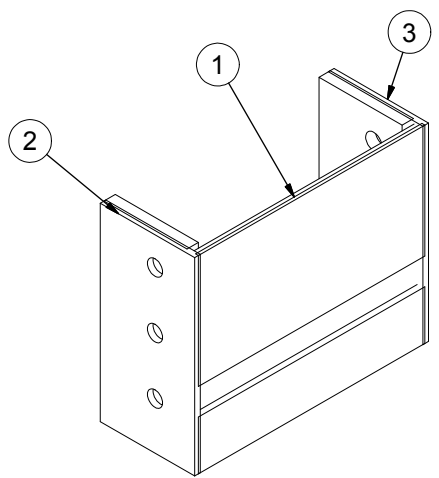
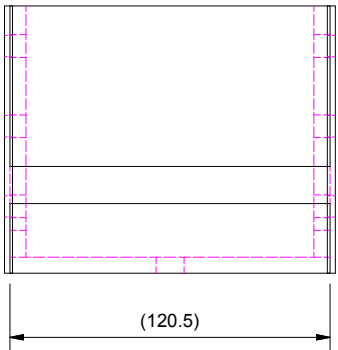
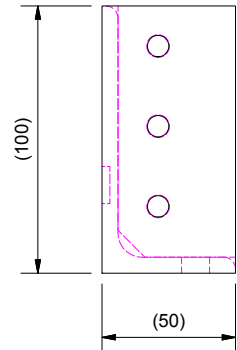


烙克赛克保留所有权利。未经授权严禁复制，使用以及向第三方泄漏。

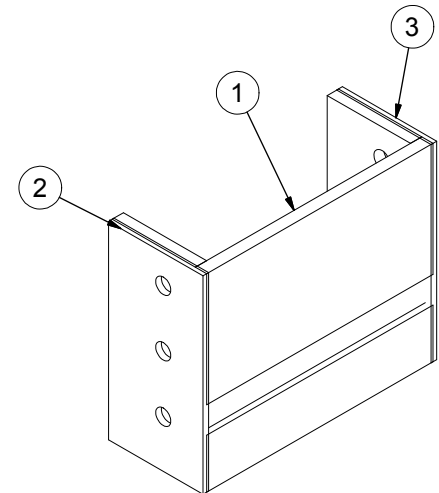
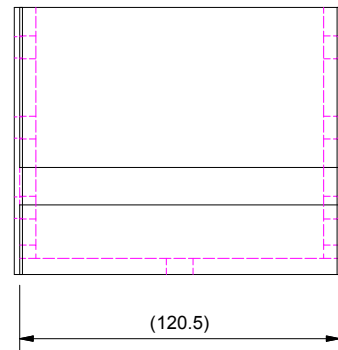
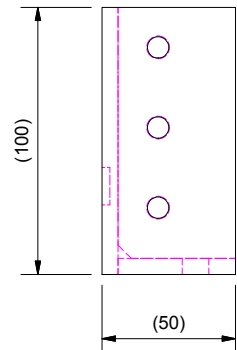
All rights reserved. Unauthorized reproduction, use or disclosure to third parties is strictly forbidden.

MATERIAL MILD STEEL  
HOT DIPPED GALVANIZED ACC, TO ISO 1461  
MATERIAL ACID PROOF STAINLESS STEEL


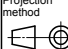
A-BAR



FLAT BAR



3	1	GASKET SELF ADH-RIGHT	S1037728 ITEM 2	
2	1	GASKET SELF ADH-LEFT	S1037728 ITEM 1	
1	1	GKO SHORTSIDE	A-BAR/FLAT BAR	1.1
ITEM	QTY	Designation	Specification	Weight

General tolerance: ISO 2768-1/2-m/K EN ISO 13920-BF	Welded details: EN ISO 5817-B EN ISO 10042-B	General surface roughness: Ra 12.5	Designed by/date se-mikast 2014-02-25	Approved by/date se-ronpet 2014-03-03	Format A3	Scale 1:-	TotWeight
			Title <b>GKO FRAME SHORT SIDE ASSY.</b>		Projection method 		Rev
www.roxtec.com			Restricted due to Information Drawing		Drawing number S1037690		A

A			
Rev	Type of revision	Date	Sign